

**SMITHCO**

Wayne, Pennsylvania 19087

**PARTS  
MANUAL**

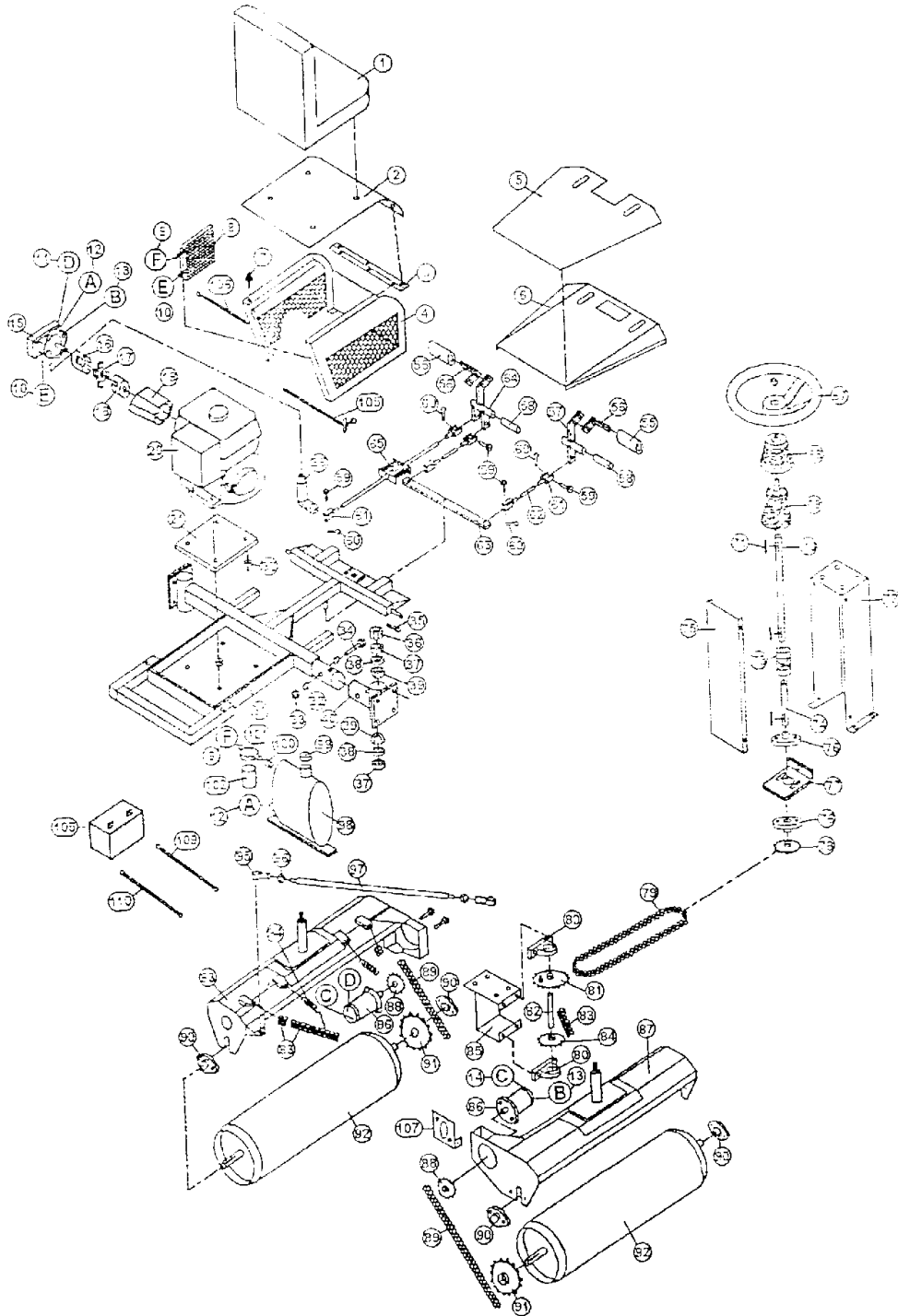
**TOURNAMENT X-PRESS ROLLER  
Model # 7504 & 7506**

**For Customer Service  
Call: (888) 422-5173**

# **TABLE OF CONTENTS**

<b><u>TITLE</u></b>	<b><u>PAGE</u></b>
7504 & 7506 Roller Drawing.....	1
7504 & 7506 Roller Parts List.....	2-4
Hydraulic Plumbing Drawing.....	5
Clutch Housing Drawing & Parts List .....	6
750-128 Hydraulic Pump Drawing.....	7
750-128 Hydraulic Pump Parts List.....	8

# 7504 & 7506 ROLLER DRAWING



## 7504 & 7506 ROLLER PARTS LIST

REF#	PART#	DESCRIPTION	QTY.
1	832-123	Low-Back "SMITHCO" Seat	1
2	750-120	Seat Plate	1
3	750-122	Seat Plate Hinge	1
4	750-119	Engine Cover	1
5	750-153	Rubber Mat	1
6	750-105	Deck Plate	1
7	41-143	Protective Bumper	2
8	740-008	Hydraulic Cooler	1
9*	750-141	Hydraulic Hose 3/8" x 28" (F)	1
10*	750-190	Hydraulic Hose 3/8" x 19" (E)	1
11*	750-143	Hydraulic Hose 1/2" x 47" (D)	1
12*	750-140	Hydraulic Hose 3/8" x 29" (A)	1
13*	750-145	Hydraulic Hose 1/2" x 25 1/2" (B)	1
14*	750-144	Hydraulic Hose 1/2" x 32 1/2" (C)	1
15	750-128	Hydraulic Pump	1
16	750-137	Pump Hub	1
17	720-027	Element	1
18	41-147	Coupling 1"	1
19	750-127	Bell Housing	1
20	709-458	Honda 8 hp Engine f/7504	1
20	709-470	Honda 8hp Recoil Engine f/7506	1
21	1150	Engine Base	1
22	44-715	Throttle Cable	1
23	932-026	Choke Cable	1
24	750-169	Spacer	1
25	750-136	Filter Head	1
26	750-135	Oil Filter	1
27	750-194	Filter Bracket	1
28	720-076	Battery	1
29	750-124	Battery Cable +	1
30	1096	Hard Rubber Engine Mount	4
31	750-165	Main Frame	1
32	750-150	Spacer	2
33	400-112	1/2" Locknut 2-Way	1
34	400-061	1/2" x 3 1/2" Bolt	1
35	720-043	Cotter Pin 1/8" x 1 1/2"	2
36	932-042	Thick Slotted Hex Nut 1 1/4"	2
37	932-024	Spacer	4
38	932-022	Seal	4
39	932-023	Bearing	4
40	750-166	Swivel Axle Bracket	1
41	750-125	Battery Cable -	1
42	750-123	Hydraulic Motor Adjuster Plate	1
43	730-046	Steering Wheel	1
44	832-023	Boot	1
45	832-022	Tilt Steering Mechanism	1
46	2028	Hub Bear	2
47	44-720	Top Steering Shaft	1

## 7504 & 7506 ROLLER PARTS LIST (Continued)

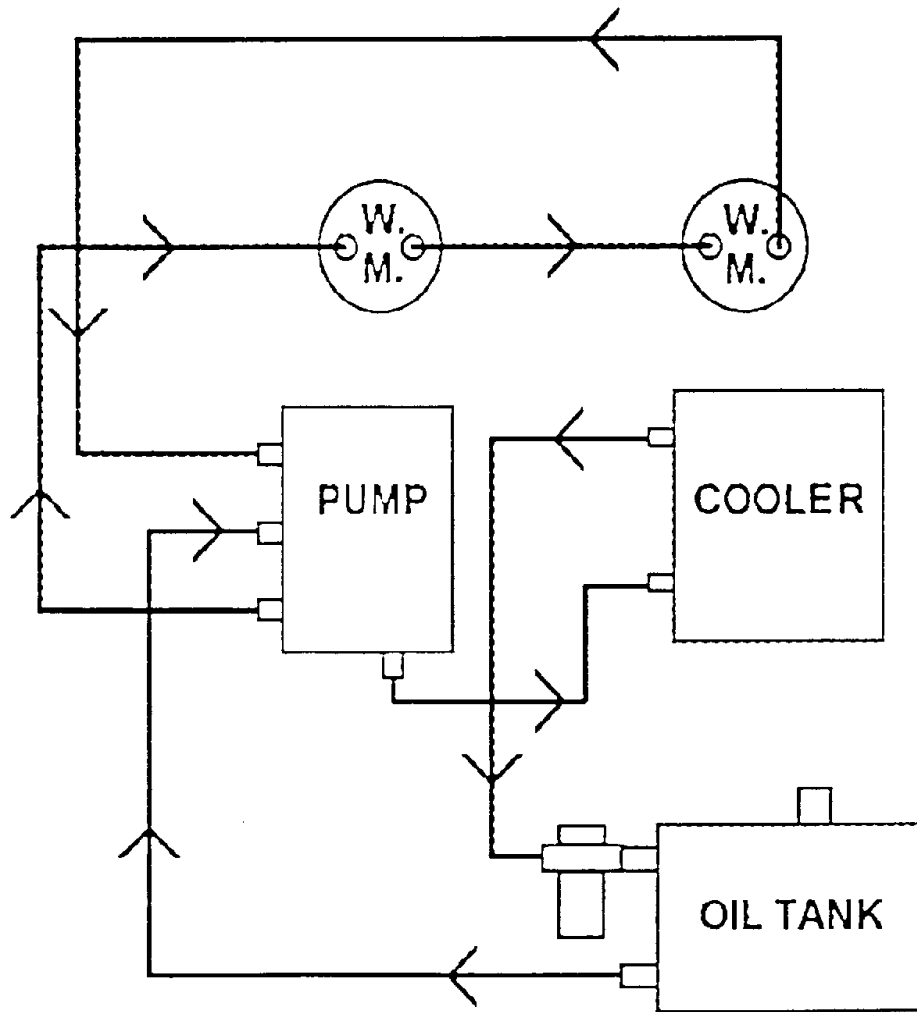
REF#	PART#	DESCRIPTION	QTY.
48	41-120	U-Joint ¾" x ¾"	1
49	1088	Key 1/8" x 1"	1
50	41-193	Steering Sprocket Shaft	1
51	750-107	Column Cover	1
52	750-106	Steering Column	1
53	520-007	Bushing	2
54	750-194	Steering Tube	1
55	750-138	Foot Pedal Pad	2
56	750-149	Foot Pad Bracket	2
57	750-113	Right Foot Pedal	1
58	720-009	Bronze Bushing ½" ID x 11/16 OD x 2	2
59	720-078	5/16" x 1" Clevis Pin	4
60	720-079	Cotter Pin 3/32" x ¾"	6
61	11-100	Linkage Yoke	4
62	750-193	Foot Pedal Rod	2
63	750-115	Foot Pedal Arm	1
64	750-114	Left Foot Pedal	1
65	750-154	Spring Dampener Assembly	1
66	750-108	Hydraulic Shift Lever	1
67	41-194	Chain Adjuster	1
68	1036	Jack Shaft Bearing	1
69	1075	#40 x 11T Sprocket	1
70	750-181	Engine Cover Strap	1
71	750-191	Hydraulic Hose 3/8" x 12"	1
72	750-203	Oil Tank Fitting	2
73	750-204	Filter Head Fitting	2
74	750-207	Wheel Motor Fitting	4
75	750-206	Pump Fitting	1
76	750-208	Pump Elbow	2
77	750-182	Spacer	2
78	750-205	Pump Fitting Bottom	1
79	750-160	#40 Chain x 102 Pitch	1
80	1040	Front Axle Bearing	2
81	750-134	40BS 45T Sprocket	1
82	750-148	Sprocket & Bearing Shaft 6"	1
83	750-139	#50 Chain 62 Pitch	1
84	750-133	50BS x 19 x ¾" Sprocket	1
85	750-130	Bearing & Sprocket Bracket	1
86	750-129	Hydraulic Wheel Motor	2
87	750-104	Roller Housing Right	1
88	720-031	Sprocket 50B10 x 1	2
89	750-161	#50 Chain 36 Pitch	2
90	720-004	Flange Bearing	4
91	750-131	50BS 15 x 1" Sprocket	2
92	750-146	8" Roller 36"	2
93	750-103	Roller Housing Left	1
94	40-199	Idler Spring	3
95	713-806	Ball Joint	2

## **7504 & 7506 ROLLER PARTS LIST (Continued)**

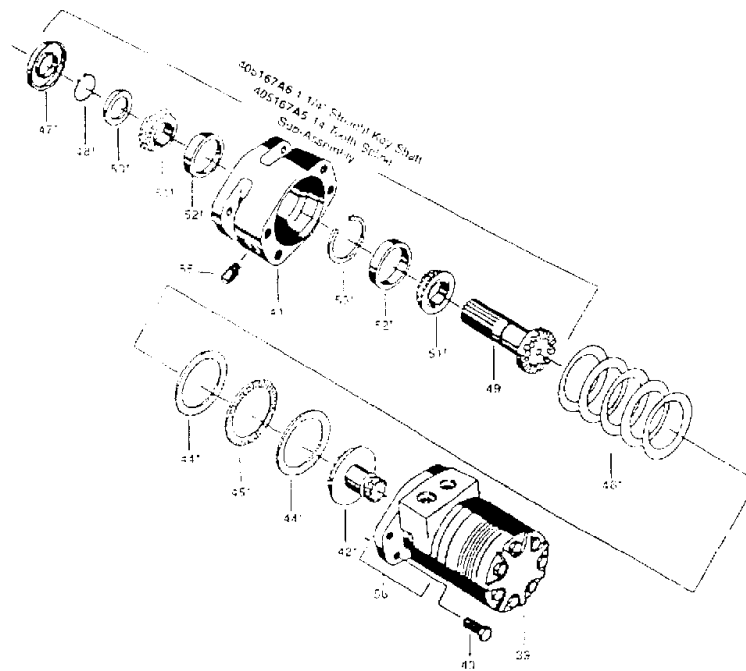
<b>REF#</b>	<b>PART#</b>	<b>DESCRIPTION</b>	<b>QTY.</b>
96	400-136	½" Hex Nut	4
97	750-112	Tie Rod	1
98	750-118	Oil Tank	1
99	750-118-1	Oil Tank Cap	1
100	750-185	Weight Plate	2

\*Note: These hoses are part of a kit # 750-140-2.

**7501 HYDRAULIC PLUMBING DRAWING**



# CLUTCH HOUSING DRAWING & PARTS LIST



REF.#	PART#	DESCRIPTION	QTY.
39	750-129-1	Torqlink Sub-Assembly	1
40	750-129-2	Bolt ½ - 13	4
41	750-129-3	Clutch Housing	1
42*	750-129-4	Splined Gear Drive	1
44*	750-129-5	Thrust Washer	2
45*	750-129-6	Thrust Bearing	1
46*	750-129-7	Disc Spring	5
47**	750-129-8	Seal	1
48**	750-129-9	Snap Ring	1
49	750-129-10	Drive Shaft 14 Tooth Spline	1
49	750-129-11	Straight Key Shaft 1 ¼"	1
50**	750-129-12	Thrust Washer	1
51**	750-129-13	Bearing and Cone Assembly	2
52**	750-129-14	Bearing Cup	2
53**	750-129-15	Retaining Ring	1
55	750-129-16	Plug	1
56	750-129-17	Housing	1

**NOTE:** Apply .06 in. (1.5mm) Bead of Loctite #51514 around full circumference of pilot

\*Items sold separately; not included in Seal Kit.

\*\* 3649 for Clutch Assembly only

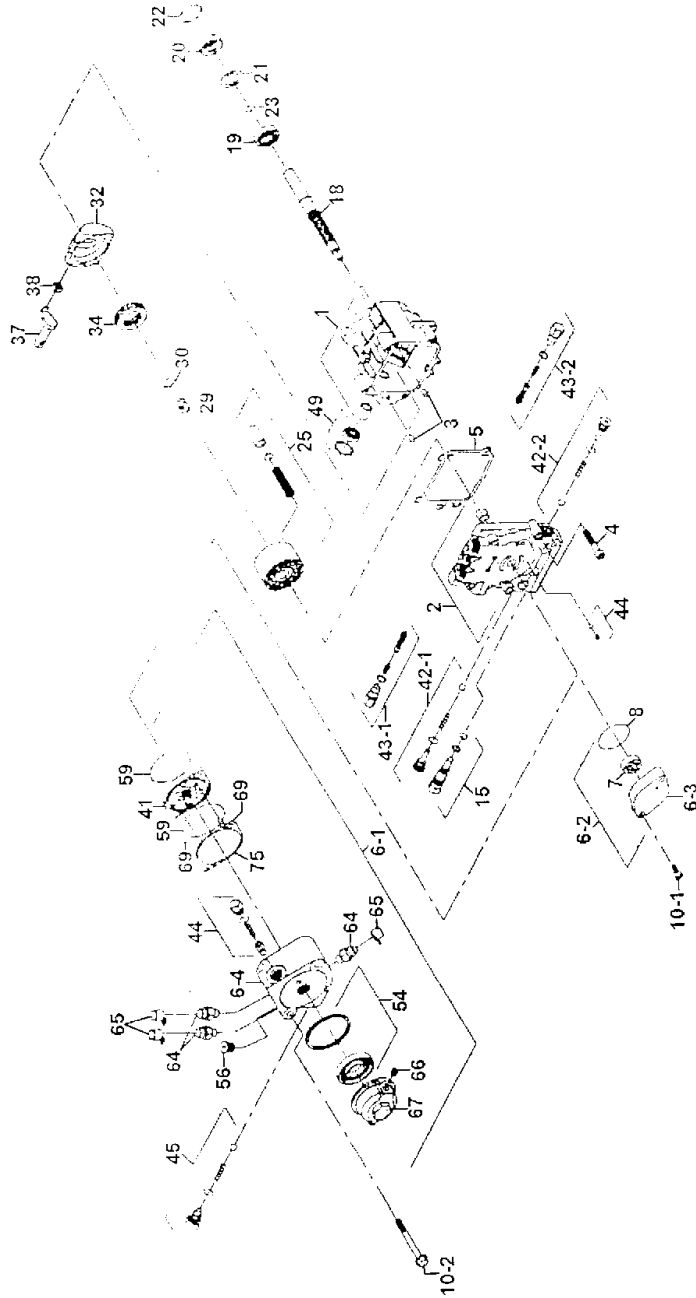
3221 Seal Kit for Hydraulic Motor only item #39.

Clutch Motor applies to TF Series only (Not available in 22, 25, 29 cu in.)

SHC Oil 90 WT 45± 5CC



# 750-128 HYDRAULIC PUMP DRAWING



85 SEAL KIT

## 750-128 HYDRAULIC PUMP PARTS LIST

REF#	PART#	DESCRIPTION	QTY.
1	750-128-1	Housing Kit	1
2	750-128-2	End Cap Kit	1
3	750-128-3	Straight Head Screw	2
4	750-128-4	Socket Head Screw	4
5	750-128-5	Housing Gasket	1
6-1	750-128-6-1	Charge Pump Kit	1
6-2	750-128-6-2	Aux Pump Kit, 7/16 SAE Ports	1
6-3	750-128-6-3	Charge Cover	1
6-4	750-128-6-4	Aux. Pump Manifold	1
7	750-128-7	Gerotor Assembly	1
8	750-128-8	O-Ring	1
10-1	750-128-10-1	Socket Head Screw	2
10-2	750-128-10-2	Hex Flange Bolt 8M-1.25 x 60mm	2
15	750-128-15	Bypass Valve Kit	1
18	750-128-18	Pump Shaft	1
19	750-128-19	Ball Bearing	1
20	750-128-20	Lip Seal 15 x 35 x 7	1
21	750-128-21	Spacer	1
22	750-128-22	Retaining Ring	1
23	750-128-23	Wire Retaining Ring	1
25	750-128-25	Cylinder Block Kit	1
29	750-128-29	Block Spring	1
30	750-128-30	Block Thrust Washer	1
32	750-128-32	Swashplate	1
34	750-128-34	Ball Thrust Bearing	1
37	750-128-37	Trunnion Arm	1
38	750-128-38	Slot Guide	1
41	750-128-41	Aux Gerotor & Housing Assembly	1
42-1	750-128-42-1	Check Valve Kit 3/8" Ball	1
42-2	750-128-42-2	Check Valve Kit with orifice	1
43-1	750-128-43-1	Shock Valve Kit	1
43-2	750-128-43-2	Shock Valve Kit with orifice	1
44	750-128-44	Charge Relief Valve Kit (1/4" Steel Ball)	1
45	750-128-45	Aux Relief Valve Kit (1/4" Ball)	1
47*		Cradle Bearing	1
49	750-128-49	Trunnion Seal / Retainer Kit	1
54	750-128-54	Auxiliary Filter Kit	1
56	750-128-58	Straight Thread Plug	1
59	750-128-59	O-Ring	2
64	750-128-64	Connector SAE Str Thd	3
65	750-128-65	9/16 Tear Away Cap	3
66	750-128-66	5/16" BAE Plug	1
67	750-128-67	Filter Cover	1
69	750-128-69	Straight Headless Pin	2
75	750-128-75	Charge Pump Shim (Red)	1
85	750-128-85	Overhaul Seal Kit	1

\*Note: Ref. #47 cannot be ordered separately. It is part of the Housing Kit Ref. #1.

## LIMITED WARRANTY

SMITHCO warrants this product to be free from defects in material and workmanship under normal use for one year from the date of purchase by the original user. (60 days if product is used for rental purposes.) All warranty claims must be handled through a SMITHCO authorized dealer or by SMITHCO, INC. All transportation charges must be paid by the purchaser.

There is no further express warranty. All implied warranties, including those of merchantability and fitness for a particular purpose, are limited to one year. (60 days if product is used for rental purposes) from date of purchase by the original user, and, to the extent permitted by law any and all implied warranties are excluded and disclaimed after the expiration of such period.

All incidental and consequential damages, including pick-up and delivery of the unit, communication, mileage charges and/or rental of a replacement unit during repair, are not covered under this warranty, or is any loss of income and/or other loss resulting from the failure of the product to function due to a warranty defect.

The following items are not covered under the SMITHCO warranty and are warranted by their respective manufacturer.

- a) Engine and engine parts including starters, generators, alternator and filters.
- b) Transaxle, differentials, gear boxes, and mechanical pumps.
- c) Hydrostatic transmissions, hydraulic pumps and motors.
- d) Batteries
- e) Wheels and tires.

A copy of the warranty for the above items is furnished if necessary with each SMITHCO product.

Some states do not allow limitations on how long an implied warranty lasts, or the exclusion of limitations of incidental or consequential damages, so the above limitations or exclusions may not apply to you. This warranty gives you specific legal rights, and you may also have other rights, which vary from state to state.

Federal law now requires disclosure of the warranty which applies to this product prior to the sale to a consumer. Please leave this statement attached to the product and allow the buyer to remove it after purchase.

# **SMITHCO**

Wayne, Pennsylvania 19087

