



***Owner's Manual***

# **ULTRA TRAILER 7505**

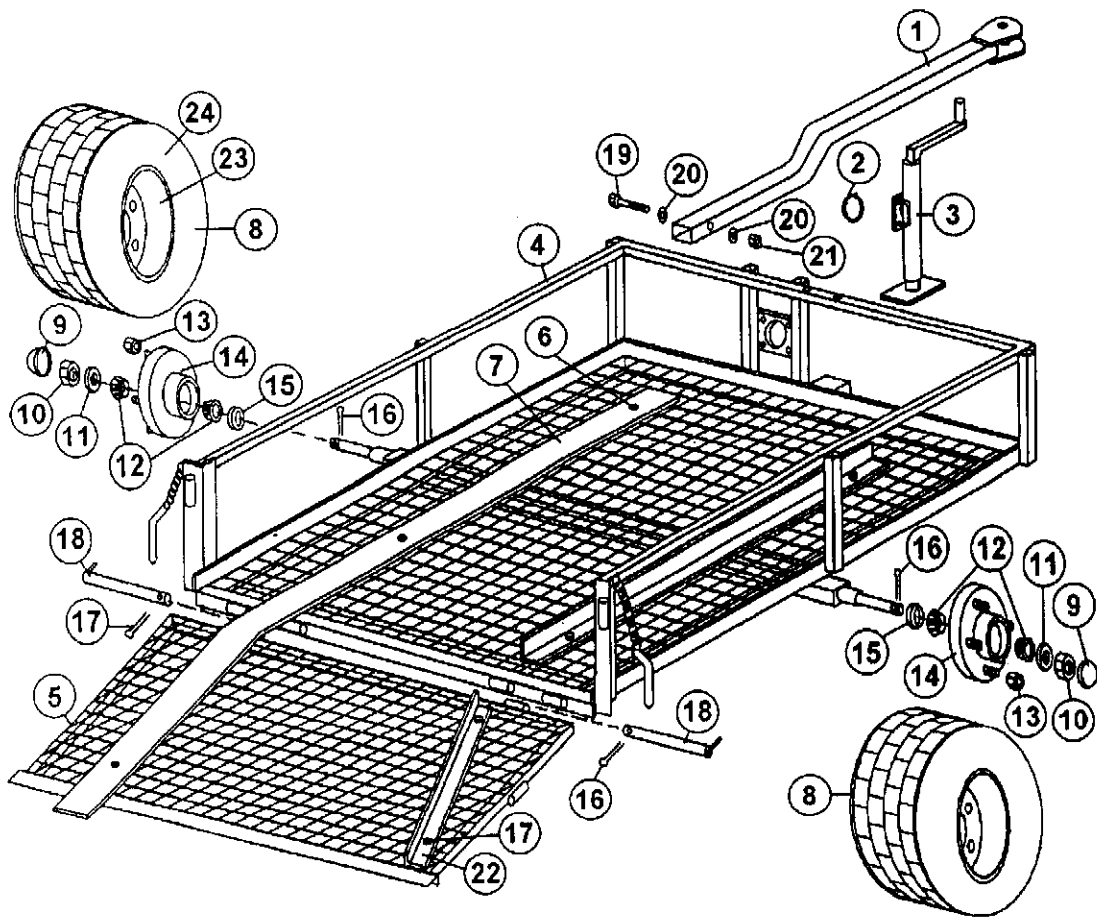
**May, 2008**

**Product Support: 1020 Hwy 224; Humboldt, KS 66748  
1-888-422-5173 [humbindustries@sbcglobal.net](mailto:humbindustries@sbcglobal.net)**

## **TABLE OF CONTENTS**

7505 Drawing.....	1
7505 Parts List.....	2
7505 Latch Assembly Drawing & Parts List.....	3
Guide Rail Instructions.....	4

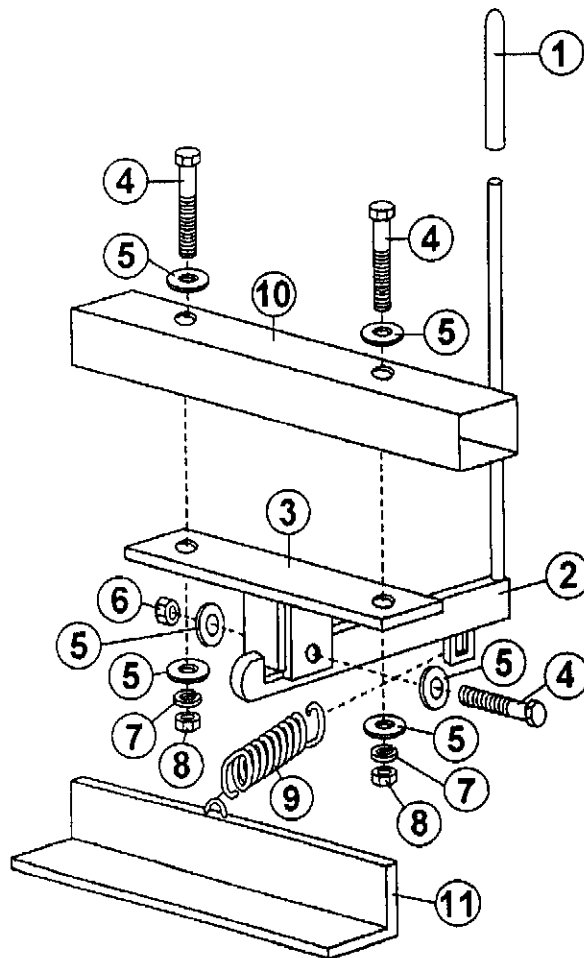
# 7505 TRAILER DRAWING



## 7505 TRAILER PARTS LIST

REF#	PART#	DESCRIPTION	QTY.
1	750-172	Bent Drawbar	1
2	709-164	Snap Ring	1
3	709-165	Jackstand	1
4	750-171	Bed	1
5	750-170	Tailgate	1
6	400-255	Elevator Bolt	6
7	750-164	Rubber Pad	2
8	2020-1	Tire & Wheel	2
9	2024	Grease Cap	2
10	709-126	Spindle Nut	2
11	2013	Spindle Washer	2
12	2028	Tapered Bearing	4
13	1187	Lug Nuts	8
14	2027-1	Hub Only	2
15	709-171	Seal	2
16	709-143	Cotter Pin	4
17	750-339	Bolt Bag for Guide Rails	1
18	750-173	Tailgate Pin	2
19	400-061	½" x – 13 x 3 ½" HHCS	1
20	400-310	7/16" Flat Washer	2
21	400-112	½" Locknut	1
22	750-340	Guide Rails	4 (Set)
23	2026	Wheel	2
24	2020	Tire	2

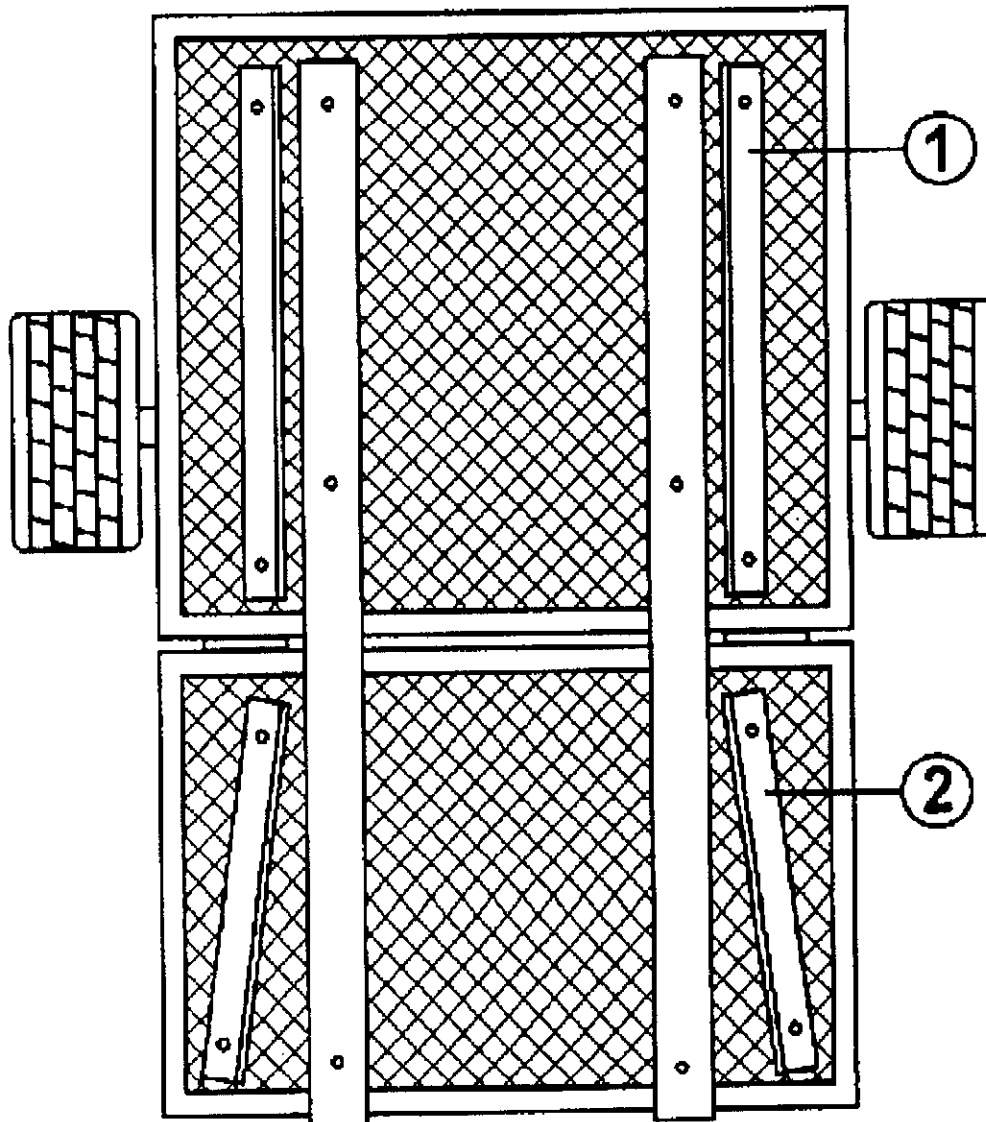
## 7505 LATCH ASSEMBLY DRAWING



## 7505 LATCH ASSEMBLY PARTS LIST

REF#	PART#	DESCRIPTION	QTY.
1	40-038	Grip	1
2	750-169	Latch	1
3	750-169-1	Latch Bracket	1
4	400-017	3/8" x 2" Bolt	3
5	400-202	5/16" Flat Washer	6
6	400-116	3/8" Locknut	1
7	400-209	3/8" Lock Washer	2
8	400-103	3/8" Nut	2
9	40-199	Spring	1
10	750-171	Frame Rail Trailer	
11	750-171	Frame Angle Trailer	

## GUIDE RAIL INSTALLATION INSTRUCTIONS



1. Place roller on trailer.
2. Lay guide rails (Ref. #1) on the trailer. Leave 1" gap between the angle and the roller cylinders.
3. Bolt guide rails to the trailer.
4. Place guide rails (Ref. #2) on the tailgate as per drawing.
5. Bolt guide rails to tailgate.

# The Smithco Commercial Products Two-Year Limited Warranty

Smithco, Inc. (Smithco) warrants your 2007 or newer Smithco Commercial Product ("Product") purchased after January 1, 2007, to be free from defects in materials or workmanship for the period of time listed below. Where a warrantable condition exists, Smithco will repair the Product at no cost to you including diagnosis, labor (at the Smithco standard labor rate, subject to the Smithco flat rate schedule), and parts.

## Warranty Duration is:

- (1) Two years, 1500 operational hours\* from the date of delivery to the original purchaser or three years from the date of original manufacturer of the product, whichever occurs first. (\*Products equipped with hour meter).
- (2) Products used in rental situations are covered for 90 days from date of delivery to original user/renter.

## Owner Responsibilities:

As the Product owner, you are responsible for required maintenance and adjustments stated in your Owner's Manual. Failure to perform required maintenance and adjustments can be grounds for disallowing a warranty claim. **You are particularly responsible to train all present and future operators of this product on the safe operation of this product at your location.**

## Instructions for Obtaining Warranty Service:

You are responsible for notifying the Authorized Smithco Products Distributor from whom you purchased the Product as soon as you believe a warrantable condition exists and not later than 30 days from discovery of the condition.

If you need help locating an Authorized Smithco Distributor, or if you have questions regarding your warranty rights or responsibilities, you may contact us at:


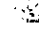
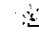
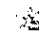
Smithco Product Support Department  
Highway SS @ Poplar St.  
Cameron, Wisconsin 54822  
Telephone: 715-458-4192 E-Mail: [ProductSupport@Smithco.com](mailto:ProductSupport@Smithco.com)

## Maintenance Parts:

Parts scheduled for replacement as required maintenance ("Maintenance Parts"), are warranted for the period of time up to the scheduled replacement time for that part.

## Items/Conditions Not Covered:

Not all product failures or malfunctions that occur during the warranty period are defects in materials or workmanship. The items/conditions listed below are not covered by this warranty:

-  Product failures which result from the use of non-Smithco replacement parts, or from installation and use of add-on, modified, or unapproved accessories are not covered.
-  Product failures which result from failure to perform required maintenance and/or adjustments are not covered.
-  Product failures that result from operating the Product in an abusive, negligent or reckless manner are not covered.
-  This warranty does not apply to parts subject to consumption through use, unless found to be defective. Examples of parts which are consumed, or used up, during normal Product operation include, but are not limited to: blades, tines, teeth, scarifiers, rakes, plates, wear plates, castor wheels, tires, batteries, filters, belts, nozzles, etc.

- ✱ This warranty does not apply to failures caused by outside influence. Items considered to be outside influence include, but are not limited to, weather, storage practices, contamination, use of unapproved coolants, lubricants, additives, or chemicals, etc.
- ✱ This warranty does not apply to normal "wear and tear" items. Normal "Wear and Tear" includes, but is not limited to, damage to seats due to wear or abrasion, worn painted surfaces, scratched decals or windows, etc.
- ✱ Smithco may require the return of failed parts or components in order to determine the validity of any warranty claim.
- ✱ Smithco will not be obligated to replace components of other manufacturers if inspection by the original component manufacturer indicates that failure was due to normal wear and tear, expected consumption through use or improper care or service.

**Other Legal Disclaimers:**

The above remedy for product defects through repair or replacement by an authorized Smithco distributor or dealer is the purchaser's sole remedy for any defect. This warranty gives you specific legal rights, and you may also have other rights which vary from state to state.

**THERE ARE NO OTHER EXPRESS WARRANTIES OTHER THAN THOSE SET FORTH ABOVE. ALL IMPLIED WARRANTIES OF MERCHANTABILITY AND FITNESS FOR USE ARE LIMITED TO THE DURATION OF THE LIMITED WARRANTIES CONTAINED HEREIN.**

Some states may not allow limitations on how long an implied warranty lasts, so the above limitation may not apply to you.

**THE SMITHCO COMPANY IS NOT LIABLE FOR INDIRECT, INCIDENTAL OR CONSEQUENTIAL DAMAGES IN CONNECTION WITH THE USE OF THE PRODUCT, INCLUDING ANY COST OR EXPENSE OF PROVIDING A SUBSTITUTE PRODUCT OR SERVICE DURING PERIODS OF MALFUNCTION OR NON-USE.**

Some states may not allow the exclusion of indirect, incidental or consequential damages, so the above exclusion may not apply to you.

**Smithco neither assumes, nor authorizes any person to assume for it, any other liability in connection with the sale or use of this product.**

**SMITHCO, INC.**

**Wayne, PA 19087**



