

SMITHCO

Wayne, Pennsylvania 19087

**PARTS
MANUAL**

**TOURNAMENT ULTRA - 4
Model # 7540 & 7550**

**For Customer Service
Call: (888) 422-5173**

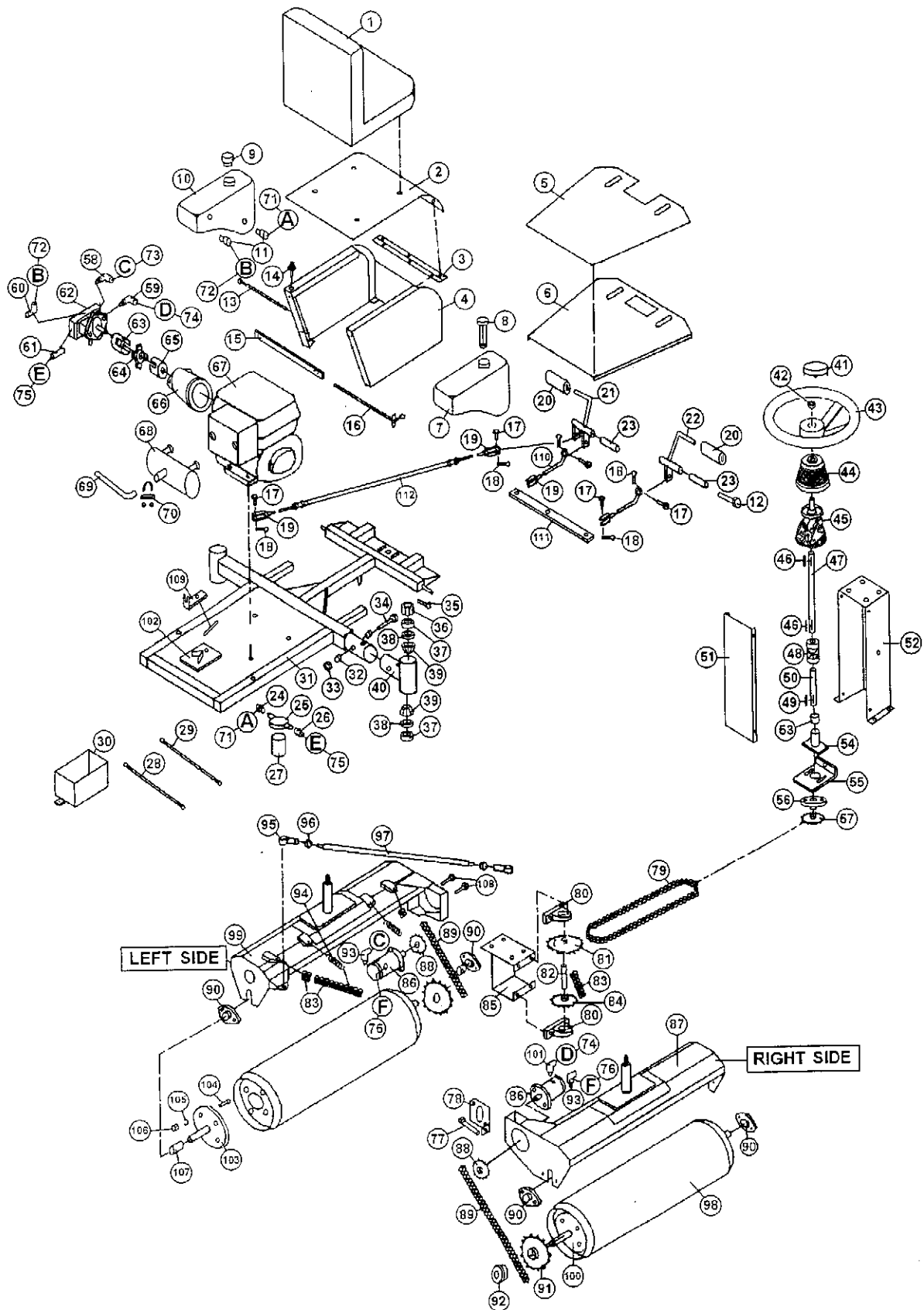
Starting Serial # T1312

June, 2006

TABLE OF CONTENTS

<u>TITLE</u>	<u>PAGE</u>
7540 Drawing.....	3
7540 Parts List.....	4-6
7550 Drawing.....	7
7550 Parts List.....	8-10
Hydraulic Plumbing Drawing.....	11
Clutch Housing Drawing & Parts List	12

7540 ULTRA ROLLER DRAWING



7540 ULTRA PARTS LIST

REF#	PART#	DESCRIPTION	QTY.
1	832-123	Low-Back "SMITHCO" Seat	1
2	750-253	Seat Plate	1
3	750-254	Seat Plate Hinge	1
4	750-262	Engine Cover	1
5	750-313	Rubber Mat	1
6	750-241	Deck Plate	1
7	943-110	Gas Tank	1
8	943-113	Gas Cap	1
9	943-111-1	Oil Cap	1
10	943-111	Oil Tank	1
11	750-326	Tank Fitting	2
12	400-061	½" X 3 ½" Bolt	4
13	932-026	Choke Cable	1
14	41-143	Protective Bumper	2
15	750-268	Cover Brace	1
16	44-715	Throttle Cable	1
17	720-078	5/16" X 1" Clevis Pin	6
18	720-079	Cotter Pin	6
19	11-101-1	Linkage Yoke	4
20	943-127	Pedal Pad	2
21	750-288	Left Foot Pedal	1
22	750-289	Right Foot Pedal	1
23	720-009	Bronze Bushing	1
24	750-325	Filter Head Fitting	1
25	750-302	Filter Head	1
26	750-325	Filter Head Fitting	1
27	750-300	Oil Filter	1
28	750-125	Battery Cable -	1
29	750-124	Battery Cable +	1
30	750-269	Battery Box	1
31	750-240	Main Frame	1
32	750-150	Spacer	2
33	400-112	½" Locknut 2-Way	1
34	400-061	½" x 3 ½" Bolt	1
35	720-043	Cotter Pin 1/8" x 1 ½"	2
36	932-042	Thick Slotted Hex Nut 1 ¼"	2
37	932-024	Spacer	4
38	932-022	Seal	4
39	932-023	Bearing	4
40	750-166	Swivel Axle Bracket	1
41	730-046-2	Steering Wheel Cap	1
42	730-046-3	Steering Wheel Nut	1
43	730-046	Steering Wheel	1
45	832-028	Tilt Steering Mechanism & Boot	1
46	1088	3/16 x 1" Key	1
47	750-286	Top Steering Shaft	1

7540 ULTRA PARTS LIST (Continued)

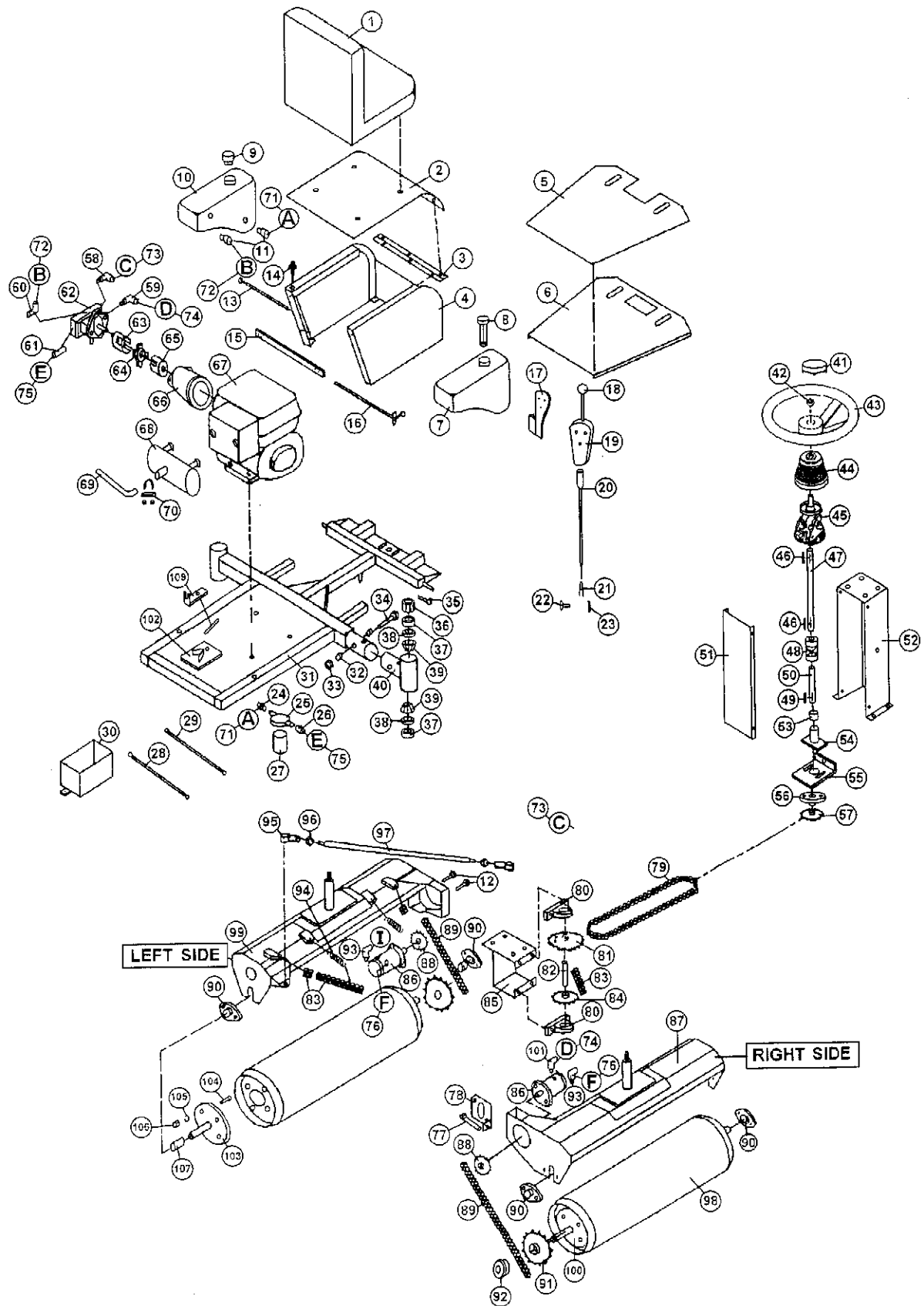
REF#	PART#	DESCRIPTION	QTY.
48	41-120	U-Joint 3/4" x 3/4"	1
49	1088	Key 1/8" x 1"	1
50	750-266	Steering Sprocket Shaft	1
51	750-107	Column Cover	1
52	750-106	Steering Column	1
53	520-007	Bushing	2
54	750-194	Steering Tube	1
55	41-194	Chain Adjuster	1
56	1036	Jackshaft Bearing	1
57	1075	#40 x 11T Sprocket	1
58	750-322	Pump Elbow	1
59	750-322	Pump Elbow	1
60	750-324	Pump Fitting Bottom	1
61	750-324	Pump Fitting	1
62	750-228	Pump	1
63	750-137	Pump Hub	1
64	720-027	Element	1
65	41-147	Coupling 1"	1
66	750-255	Bell Housing	1
67	943-100	16HP Engine	1
68	943-115	Muffler	1
69	943-145	Muffler Pipe	1
70	943-146	Muffler Clamp	1
71*	750-306	Hydraulic Hose - A	1
72*	750-305	Hydraulic Hose - B	1
73*	750-308	Hydraulic Hose - C	1
74*	750-307	Hydraulic Hose - D	1
75*	750-310	Hydraulic Hose - E	1
76*	750-303	Hydraulic Hose - F	1
77	400-029-1	1/2" x 3" All Thread Bolt	2
78	750-123	Motor Adjuster Plate	1
79	750-247	#40 Chain x 100 Pitch	1
80	1040	Front Axle Bearing	2
81	750-234	40BS 60T Sprocket	1
82	750-148	Sprocket & Bearing Shaft 6"	1
83	750-248	#50 Chain 64 Pitch	1
84	750-133	50BS x 19 x 3/4" Sprocket	1
85	750-243	Bearing & Sprocket Bracket	1
86	750-129	Hydraulic Wheel Motor	2
87	750-104	Roller Housing Right	1
88	750-131	Sprocket 50B15 x 1"	2
89	750-236	#50 Chain 40 Pitch	2
90	720-004	Flange Bearing	4
91	750-218	50 BTB 15H Sprocket	2
92	750-219	1210 x 1 KW Bushing	2
93	750-207	Wheel Motor Fitting	3
94	40-199	Idler Spring	2

7540 ULTRA PARTS LIST (Continued)

REF#	PART#	DESCRIPTION	QTY.
95	713-806	Ball Joint	2
96	400-136	½" Hex Nut	4
97	750-242	Tie Rod	1
98	750-220-3	Roller w/Plate & Pipe	2
99	750-103	Roller Housing Left	1
100	750-220-1	Hub w/Keyway	1
101	750-197	45 degree Fitting	1
102	750-250	Speed Boss Bracket	1
103	750-220-2	Hub w/o key	1
104	1189	Lug Bolt	8
105	400-210	½ " Lockwasher	8
106	400-136	½" Nut Fine Thread	8
107	750-277	Spacer	2
108	400-099	1/2" x 1 ¾" Bolt	4
109	750-251	Shift Cable Bracket	1
110	750-193	Foot Pedal Rod	2
111	750-115	Foot Pedal Arm	1
112	44-001	Control Cable	1
113	400-061	½" x 3 ½" Bolt	2

*NOTE: The complete hose assembly is a part number 750-327.

7550 ULTRA ROLLER DRAWING



7550 ULTRA ROLLER PARTS LIST

REF#	PART#	DESCRIPTION	QTY.
1	832-123	Low-Back "SMITHCO" Seat	1
2	750-253	Seat Plate	1
3	750-254	Seat Plate Hinge	1
4	750-262	Engine Cover	1
5	750-313	Rubber Mat	1
6	750-241	Deck Plate	1
7	943-110	Gas Tank	1
8	943-113	Gas Cap	1
9	943-111-1	Oil Cap	1
10	943-111	Oil Tank	1
11	750-257	Tank Fitting	2
12	400-099	1/2" x 1 3/4" Bolt	2
13	932-026	Choke Cable	1
14	41-143	Protective Bumper	2
15	750-268	Cover Brace	1
16	44-715	Throttle Cable	1
17	750-276	Shifter Bracket	1
18	750-264	Ball Knob	1
19	940-240	Shifter	1
20	940-249	Shifter Cable	1
21	11-100	Linkage Yoke	1
22	720-078	Clevis Pin	1
23	720-079	Cotter Pin	1
24	750-325	Filter Head Fitting	1
25	750-302	Filter Head	1
26	750-325	Filter Head Fitting	1
27	750-300	Oil Filter	1
28	750-125	Battery Cable -	1
29	750-124	Battery Cable +	1
30	750-269	Battery Box	1
31	750-240	Main Frame	1
32	750-150	Spacer	2
33	400-112	1/2" Locknut 2-Way	1
34	400-061	1/2" x 3 1/2" Bolt	1
35	720-043	Cotter Pin 1/8" x 1 1/2"	2
36	932-042	Thick Slotted Hex Nut 1 1/4"	2
37	932-024	Spacer	4
38	932-022	Seal	4
39	932-023	Bearing	4
40	750-166	Swivel Axle Bracket	1
41	730-046-2	Steering Wheel Cap	1
42	730-046-3	Steering Wheel Nut	1
43	730-046	Steering Wheel	1
45	832-028	Tilt Steering Mechanism	1
46	1088	3/16" x 1" Key	1
47	750-286	Top Steering Shaft	1

7550 ULTRA ROLLER PARTS LIST (Continued)

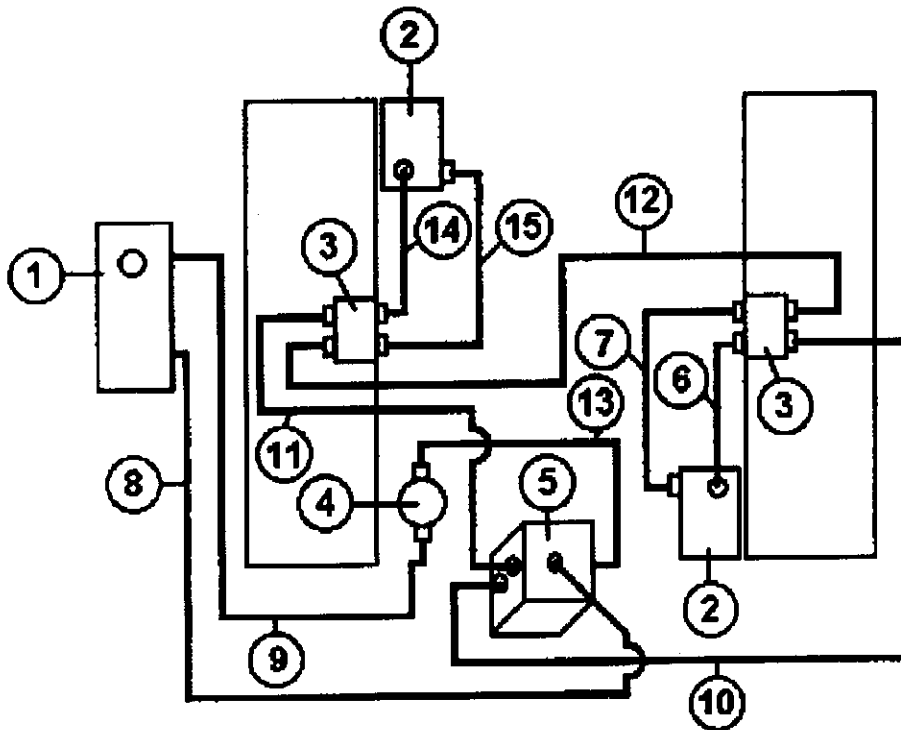
REF#	PART#	DESCRIPTION	QTY.
48	41-120	U-Joint 3/4" x 3/4"	1
49	1088	Key 1/8" x 1"	1
50	750-266	Steering Sprocket Shaft	1
51	750-107	Column Cover	1
52	750-106	Steering Column	1
53	520-007	Bushing	2
54	750-194	Steering Tube	1
55	41-194	Chain Adjuster	1
56	1036	Jackshaft Bearing	1
57	1075	#40 x 11T Sprocket	1
58	750-322	Pump Elbow	1
59	750-322	Pump Elbow	1
60	750-324	Pump Fitting Bottom	1
61	750-324	Pump Fitting	1
62	750-228	Pump	1
63	750-137	Pump Hub	1
64	720-027	Element	1
65	41-147	Coupling 1"	1
66	750-255	Bell Housing	1
67	943-100	16HP Engine	1
68	943-115	Muffler	1
69	943-145	Muffler Pipe	1
70	943-146	Muffler Clamp	1
71*	750-306	Hydraulic Hose - A	1
72*	750-305	Hydraulic Hose - B	1
73*	750-308	Hydraulic Hose - C	1
74*	750-307	Hydraulic Hose - D	1
75*	750-310	Hydraulic Hose - E	1
76*	750-303	Hydraulic Hose - F	1
77	400-029-1	1/2" x 3" All Thread Bolt	2
78	750-123	Motor Adjuster Plate	1
79	750-247	#40 Chain x 100 Pitch	1
80	1040	Front Axle Bearing	2
81	750-234	40BS 60T Sprocket	1
82	750-148	Sprocket & Bearing Shaft 6"	1
83	750-248	#50 Chain 64 Pitch	1
84	750-133	50BS x 19 x 3/4" Sprocket	1
85	750-243	Bearing & Sprocket Bracket	1
86	750-129	Hydraulic Wheel Motor	2
87	750-104	Roller Housing Right	1
88	750-131	Sprocket 50B15 x 1"	2
89	750-236	#50 Chain 40 Pitch	2
90	720-004	Flange Bearing	4
91	750-218	50 BTB 15H Sprocket	2
92	750-219	1210 x 1 KW Bushing	2
93	750-207	Wheel Motor Fitting	3
94	40-199	Idler Spring	2

7550 ULTRA ROLLER PARTS LIST (Continued)

REF#	PART#	DESCRIPTION	QTY.
95	713-806	Ball Joint	2
96	400-136	½" Hex Nut	4
97	750-242	Tie Rod	1
98	750-220-3	Roller w/Plate & Pipe	2
99	750-103	Roller Housing Left	1
100	750-220-1	Hub w/Keyway	1
101	750-197	45 degree Fitting	1
102	750-250	Speed Boss Bracket	1
103	750-220-2	Hub w/o key	1
104	1189	Lug Bolt	8
105	400-210	½ " Lockwasher	8
106	400-136	½" Nut Fine Thread	8
107	750-277	Spacer	2
109	750-251	Shift Cable Bracket	1

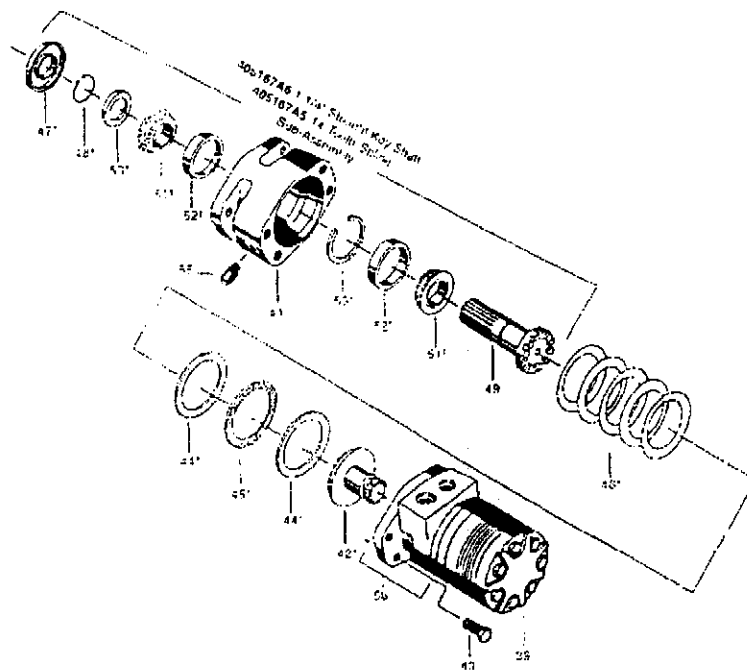
*NOTE: The complete hose assembly is a part number 750-327.

HYDRAULIC PLUMBING DRAWING



REF#	PART#	DESCRIPTION	QTY.
1	943-111	Oil Tank	1
2	750-129	Wheel Motor	2
3	750-301	Manifold Block	2
4	750-302	Filter Head	1
5	750-228	Pump	1
6	750-303	Hose from Block to Upper Port	1
7	750-304	Hose from Block to Lower Port	1
8	750-305	Hose from Tank to Pump	1
9	750-306	Hose from Tank to Filter Head	1
10	750-307	Hose from Pump to right Manifold Block	1
11	750-308	Hose from Pump to left Manifold Block	1
12	750-309	Hose from Manifold Block to Manifold Block	1
13	750-310	Hose from Pump to Filter Head	1
14	750-311	Hose from Block to Upper Port	1
15	750-312	Hose from Block to Lower Port	1

CLUTCH HOUSING DRAWING & PARTS LIST



REF.#	PART#	DESCRIPTION	QTY.
39	750-129-1	Torqlink Sub-Assembly	1
40	750-129-2	Bolt ½ - 13	4
41	750-129-3	Clutch Housing	1
42*	750-129-4	Splined Gear Drive	1
44*	750-129-5	Thrust Washer	2
45*	750-129-6	Thrust Bearing	1
46*	750-129-7	Disc Spring	5
47**	750-129-8	Seal	1
48**	750-129-9	Snap Ring	1
49	750-129-10	Drive Shaft 14 Tooth Spline	1
49	750-129-11	Straight Key Shaft 1 ¼"	1
50**	750-129-12	Thrust Washer	1
51**	750-129-13	Bearing and Cone Assembly	2
52**	750-129-14	Bearing Cup	2
53**	750-129-15	Retaining Ring	1
55	750-129-16	Plug	1
56	750-129-17	Housing	1

NOTE: Apply .06 in. (1.5mm) Bead of Loctite #51514 around full circumference of pilot

*Items sold separately; not included in Seal Kit.

** 3649 for Clutch Assembly only

3221 Seal Kit for Hydraulic Motor only item #39.

Clutch Motor applies to TF Series only (Not available in 22, 25, 29 cu in.)

SHC Oil 90 WT 45± 5CC

LIMITED WARRANTY

SMITHCO warrants this product to be free from defects in material and workmanship under normal use for one year from the date of purchase by the original user. (60 days if product is used for rental purposes.) All warranty claims must be handled through a SMITHCO authorized dealer or by SMITHCO, INC. All transportation charges must be paid by the purchaser.

There is no further express warranty. All implied warranties, including those of merchantability and fitness for a particular purpose, are limited to one year. (60 days if product is used for rental purposes) from date of purchase by the original user, and, to the extent permitted by law any and all implied warranties are excluded and disclaimed after the expiration of such period.

All incidental and consequential damages, including pick-up and delivery of the unit, communication, mileage charges and/or rental of a replacement unit during repair, are not covered under this warranty, or is any loss of income and/or other loss resulting from the failure of the product to function due to a warranty defect.

The following items are not covered under the SMITHCO warranty and are warranted by their respective manufacturer.

- a) Engine and engine parts including starters, generators, alternator and filters.
- b) Transaxle, differentials, gear boxes, and mechanical pumps.
- c) Hydrostatic transmissions, hydraulic pumps and motors.
- d) Batteries
- e) Wheels and tires.

A copy of the warranty for the above items is furnished if necessary with each SMITHCO product.

Some states do not allow limitations on how long an implied warranty lasts, or the exclusion of limitations of incidental or consequential damages, so the above limitations or exclusions may not apply to you. This warranty gives you specific legal rights, and you may also have other rights, which vary from state to state.

Federal law now requires disclosure of the warranty which applies to this product prior to the sale to a consumer. Please leave this statement attached to the product and allow the buyer to remove it after purchase.

SMITHCO
Wayne, Pennsylvania 19087

