

Parts Manual



TOURNAMENT ELECTRA II

7555

SN: TE313

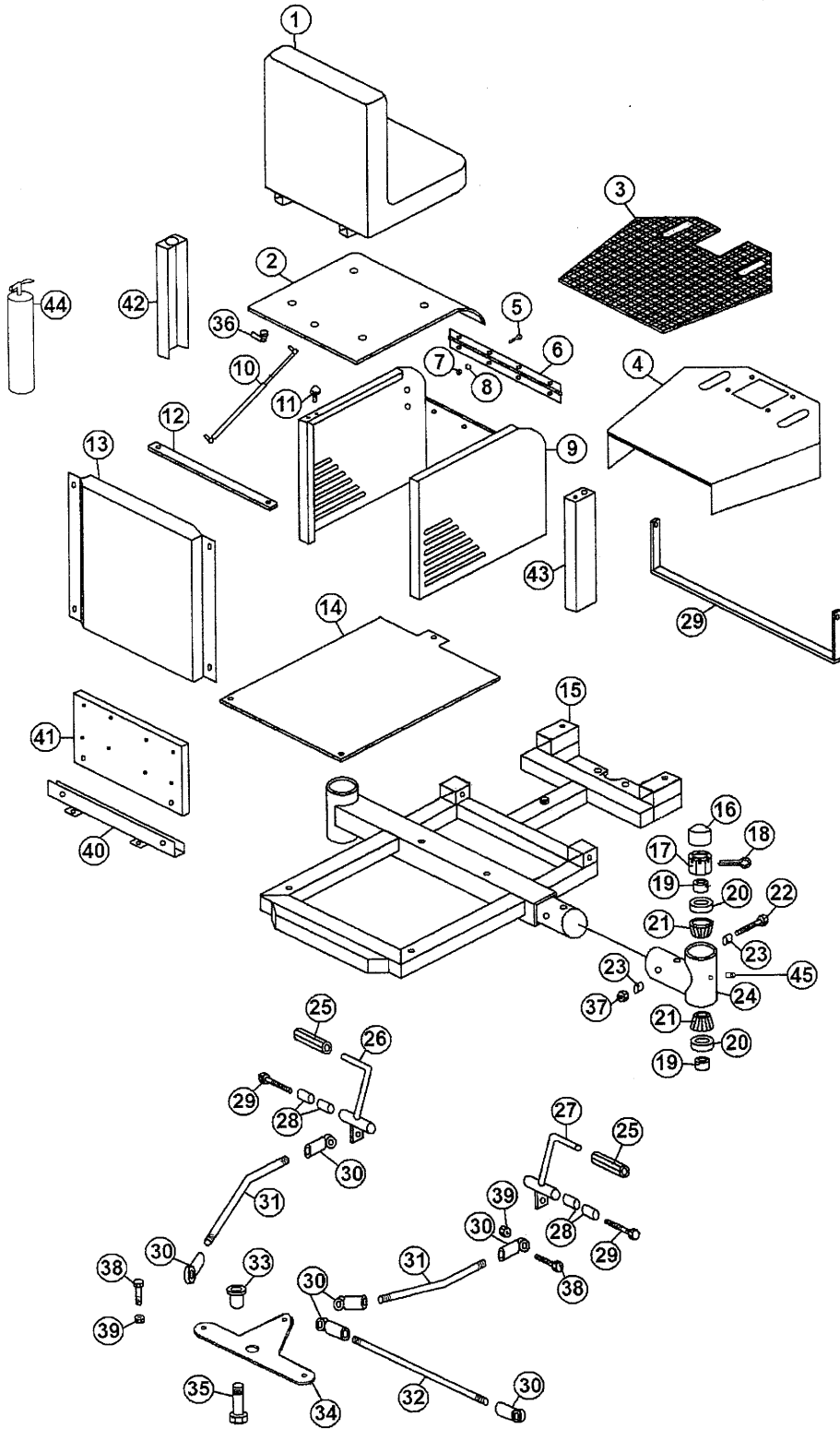
April, 2013

**Product Support: 1020 Hwy 224; Humboldt, KS 66748
1-888-422-5173 lj@smithco.com**

TABLE OF CONTENTS

<u>TITLE</u>	<u>PAGE</u>
Frame Drawing.....	1
Frame Parts List.....	2
Housing Drawing.....	3
Housing Parts List.....	4
Steering Drawing.....	5
Steering Parts List.....	6
Wiring Diagram.....	7
Wiring Diagram Parts List.....	8
Battery Wiring Installation.....	9
Motor Troubleshooting.....	10-13

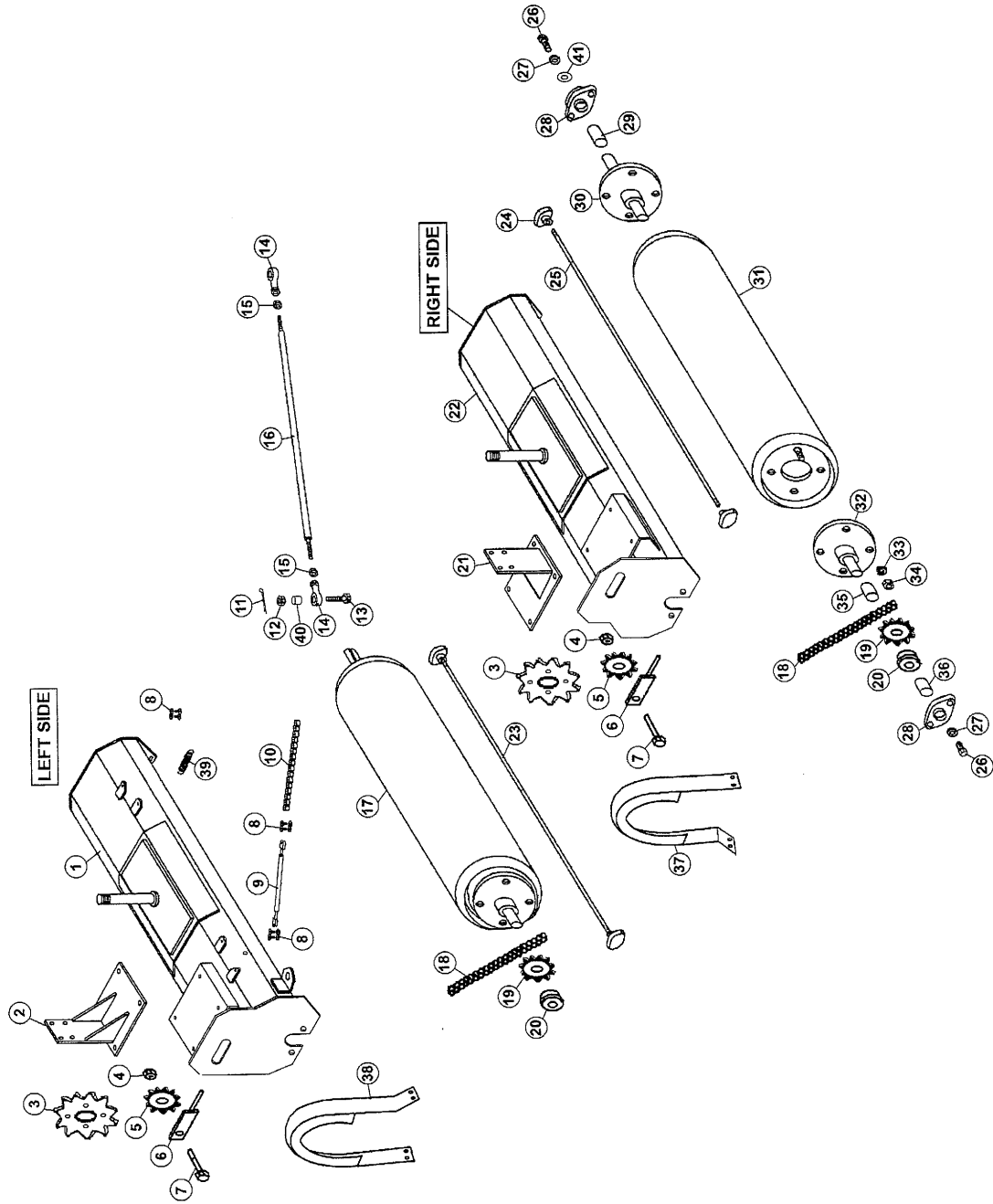
7555 TOURNAMENT AC ROLLER FRAME DRAWING



7555 TOURNAMENT AC ROLLER FRAME PARTS LIST

REF#	PART#	DESCRIPTION	QTY.
1	832-123	Low-Back "SMITHCO" Seat	1
2	750-759	Seat Plate	1
3	750-278	Rubber Mat	1
4	750-241	Deck Plate	1
5	400-002	5/16" X 1" Bolt	10
6	750-254	Seat Plate Hinge	1
7	400-207	5/16" Lock Washer	10
8	400-102	5/16" Nut	10
9	750-749	Battery Cover	1
10	750-891	Gas Shock Assembly	1
11	41-143	Protective Bumper	2
12	750-290	Engine Cover Brace	1
13	750-758	Back Cover	1
14	750-748	Battery Plate	1
15	750-747	Main Frame	1
16	750-192	1 1/8" Poly Hex Nut & Cap	2
17	932-042	Thick Slotted Hex Nut 1 1/4"	2
18	709-143	Cotter Pin 1/8" x 2"	4
19	932-024	Spacer	4
20	932-022	Seal	4
21	932-023	Bearing	4
22	400-061	1/2" x 3 1/2" Bolt	3
23	750-186	1/2" Spacer	2
24	750-750	Swivel Axle Bracket	1
25	943-127	Accelerator Pedal Pad	2
26	750-642	Left Foot Pedal	1
27	750-643	Right Foot Pedal	1
28	10-007	Oilite Bushing	4
29	750-764	Battery Hold Down	2
30	44-967	5/16" Ball Joint	6
31	750-756	Bent Accelerator Rod	2
32	750-757	Straight Accelerator Rod	1
33	750-729	Bushing	1
34	750-751	Steering Bracket	1
35	400-059	1/2" Bolt 4"	1
36	843-172	Cover Lock	1
37	400-112	1/2" Locknut	1
38	400-002	5/16" x 1" Bolt	5
39	400-281	5/16" Locknut	5
40	750-765	Controller Bracket	1
41	750-771	Controller Plate	1
42	750-754	Side Box Left	1
43	750-755	Side Box Right	1
44	709-382	1/4" Zerk	5
45	843-113	Fire Extinguisher	1

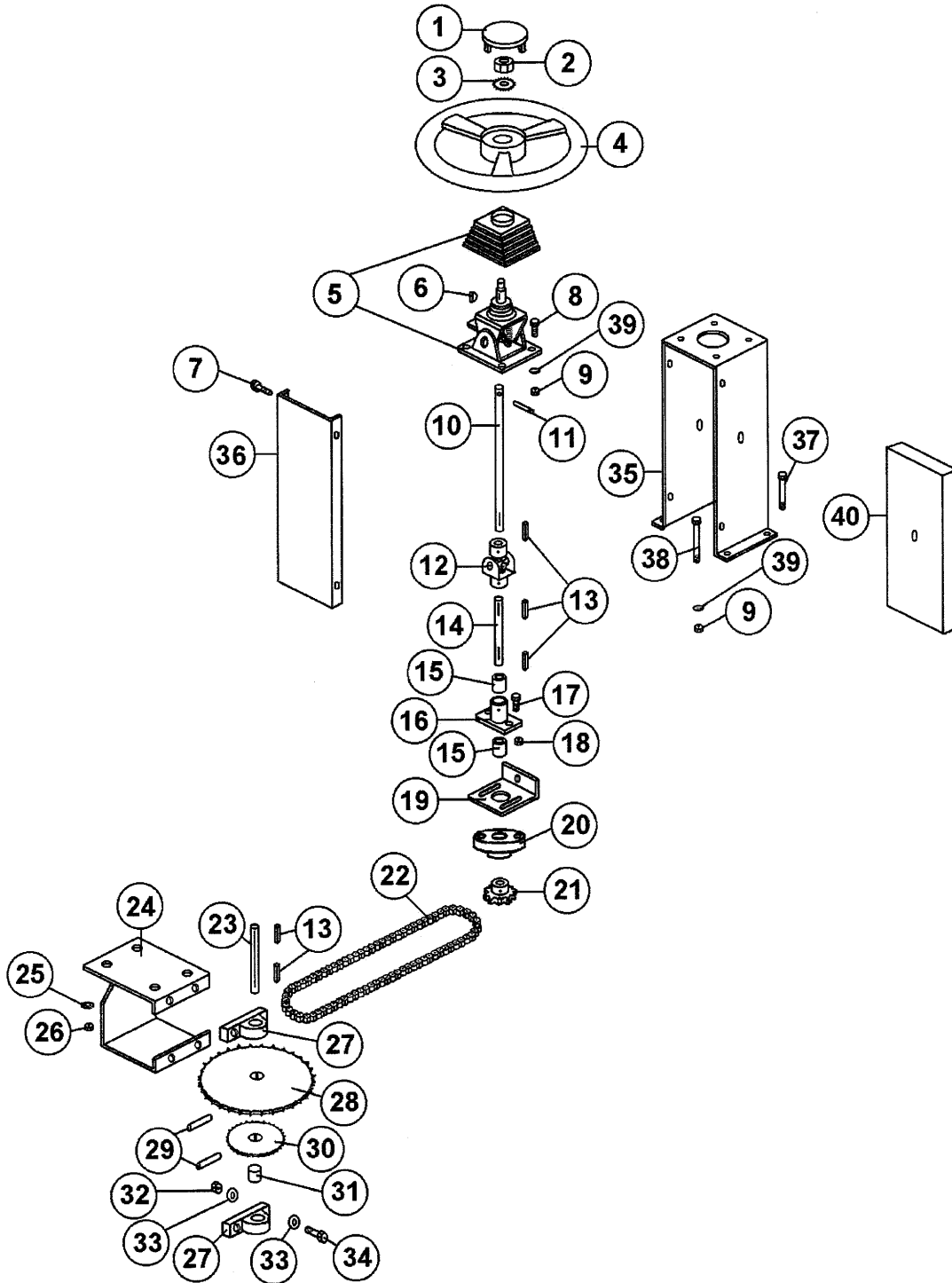
7555 HOUSING DRAWING



7555 HOUSING PARTS LIST

REF#	PART#	DESCRIPTION	QTY.
1	750-766	Left Roller Housing	1
2	750-752	Left Motor Mount	1
3	750-770	Drive Sprocket	2
4	400-106	5/8" Hex Nut	2
5	1073	#50 Drive Chain Idler	2
6	750-768	Chain Idler Bracket	2
7	400-319	5/8" x 2 1/2" Bolt	2
8	1083	#50 Master Link	3
9	750-873	Steering Chain Adjuster Bracket - Turnbuckle	1
10	750-415	#50 Chain 50 Pitch w/3 Connecting Links	1
11	750-367	3/32" x 1" Cotter Pin	2
12	400-285	1/2" Slotted Hex Nut	2
13	400-338	1/2" x 2 3/4" Bolt	2
14	713-806	Ball Joint	2
15	400-136	1/2" Hex Nut	2
16	750-242	Tie Rod	1
17	750-220	Roller w/Hubs	2
18	750-769	#50 Drive Chain 70 Pitch	2
19	750-634	50SH 17H Sprocket	2
20	709-202	SH x 1 Bushing	2
21	750-753	Right Motor Mount	1
22	750-767	Roller Housing Right	1
23	750-210	Scraper Assembly	2
24	750-210-2	Scraper Knob	4
25	750-210-1	Scraper Rod	2
26	400-044	1/4" X 1" Bolt	2
27	400-208	1/4" Lock Washer	2
28	720-004	1" Flange Bearing	2
29	750-721	1 1/4" Spacer	2
30	750-220-2	Hub w/Plate, Bushing & Shaft	2
31	750-220-3	Roller w/Plate & Pipe	2
32	750-220-1	Hub w/Plate, Bushing & Keyed Shaft	2
33	400-210	1/2" Lock Washer	8
34	400-136	1/2" Hex Nut	8
35	750-277	Spacer	2
36	750-277	Spacer	2
37	750-772	Right Chain Guard	1
38	750-773	Left Chain Guard	1
39	40-199	Idler Spring	1
40	750-777	Spacer 1/2" x 3/4"	2
41	1094	Fender Washer	4

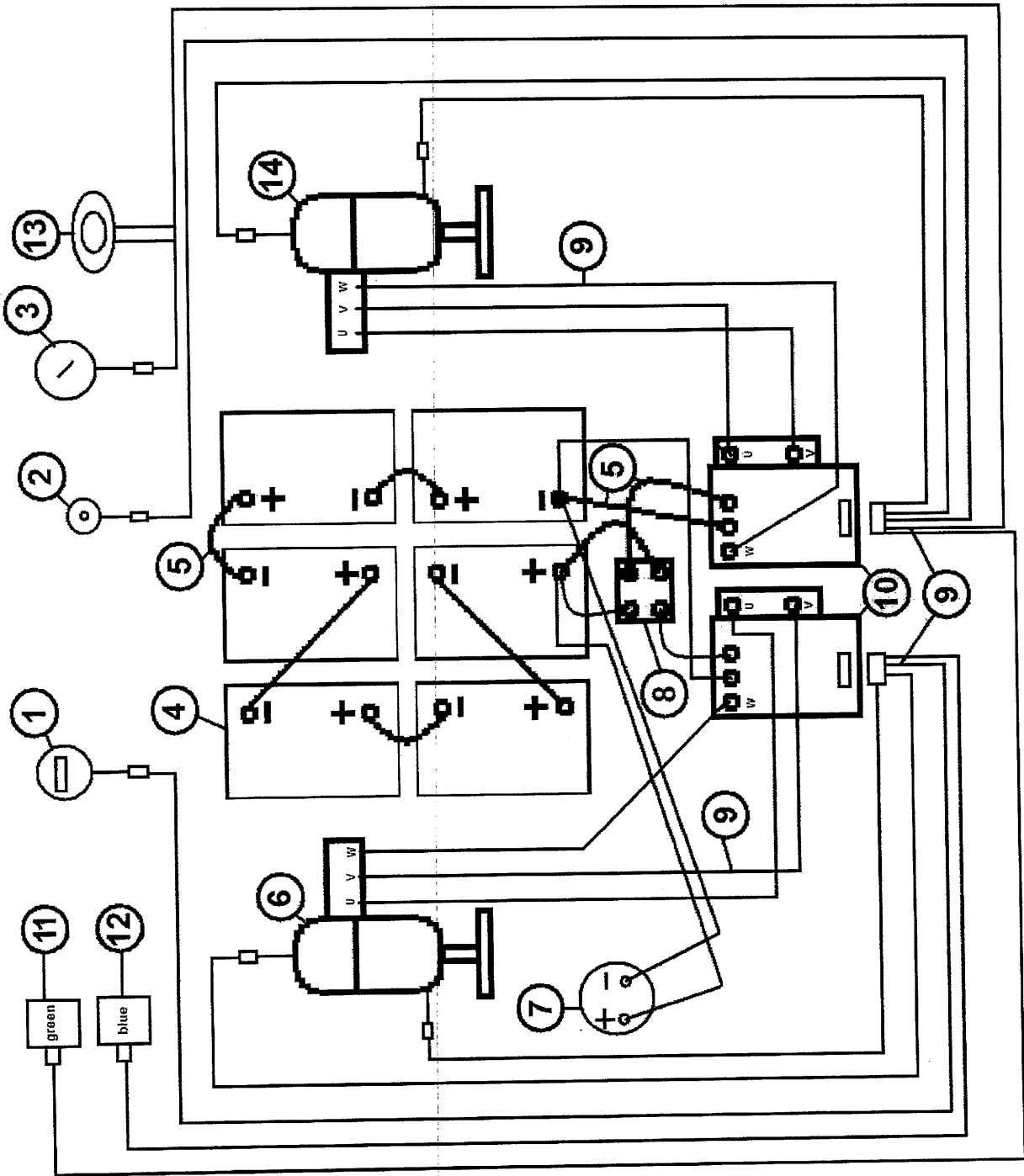
7555 TOURNAMENT AC ROLLER STEERING DRAWING



7555 TOURNAMENT AC ROLLER STEERING PARTS LIST

REF#	PART#	DESCRIPTION	QTY.
1	730-046-2	Steering Wheel Cap	1
2	932-122	5/8" – 18 Hex Jam Nut	1
3	400-143	5/8" Lock Washer	1
4	730-046	Steering Wheel w/Cap	1
5	832-028	Tilt Steering Mechanism & Boot	1
6	740-023	3/16" x 3/4" Key	1
7	400-073	1/4" x 1" Self Tap Screw	4
8	400-003	5/16" – 18 x 1 1/4" HHCS	4
9	400-102	5/16" – 18 Hex Nut	8
10	750-286	Upper Steering Shaft	1
11	832-030	7/32" x 1 1/4" Spring Pin	1
12	41-120	U-Joint 3/4" x 3/4"	1
13	1088	3/16" x 1" Key	3
14	750-760	Lower Steering Shaft	1
15	520-007	Bronze Bushing	2
16	750-195	Steering Tube	1
17	400-005	5/16" – 18 x 1 3/4" HHCS	2
18	400-109	5/16" – 18 Locknut	2
19	41-194	Chain Adjuster Bracket	1
20	1036	Jackshaft Bearing	1
21	1075	#40 Jackshaft Sprocket 11T	1
22	41-251	#40 Chain x 108 Pitch	1
23	750-148-1	Sprocket & Bearing Shaft 5 1/2"	1
24	750-751	Steering Bracket	1
25	400-103	3/8" – 16 Hex Nut	4
26	400-209	3/8" Lock Washer	4
27	1040	Front Axle Bearing	2
28	750-234	40BS 60T Sprocket	1
29	750-315	1/4" x 2 1/2" Spring Pin	2
30	750-133-1	50BS 19 x 3/4" Sprocket	1
31	750-722	1" Spacer (3/4" ID)	1
32	400-116	3/8" – 16 Locknut	4
33	400-202	5/16" Flat Washer	4
34	400-015	3/8" – 16 x 1 1/2" HHCS	4
35	750-106	Steering Column	1
36	750-107	Steering Column Cover	1
37	400-314	5/16" x 4 1/2" Bolt	2
38	400-010	5/16" – 18 x 5" HHCS	2
39	400-207	5/16" Lock Washer	8

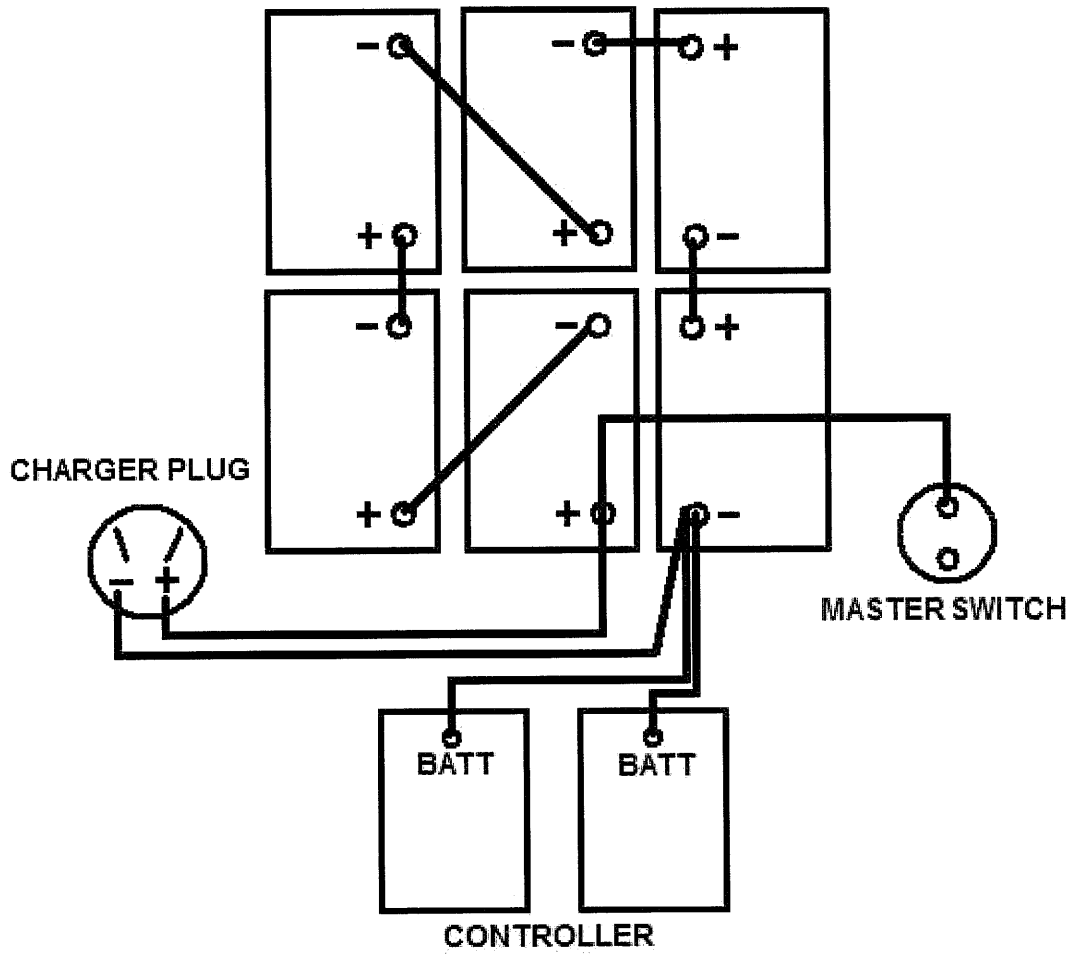
7555 WIRING DIAGRAM



7555 WIRING DIAGRAM PARTS LIST

REF#	PART#	DESCRIPTION	QTY.
1	750-536	Hour Meter Display	1
2	2070	Ignition Switch	1
3	832-514	Key Switch	1
4	750-775	Trojan Battery	6
	750-763	AGM Battery	6
5	750-774	Battery Wiring Harness	1
6	750-537	Left Hand Motor	1
7	732-017	Charge Plug	1
8	750-533	Contactor	1
9	750-761	Main Wiring Harness	1
10	750-531	Controller	2
11	750-534	Left Hand Pedal Box / Blue	1
12	750-535	Right Hand Pedal Box / Green	1
13	932-119-1	Seat Switch	1
14	750-532	Right Hand Motor	1

BATTERY WIRING INSTALLATION



MOTOR TROUBLESHOOTING

Code 02 = Right Side	Code 04 = Left Side	LED Flash Code	Symptom	Smartec Interface Tool	(Why)	How to repair.
02A11	04A11	1-1	No Drive	Watchdog	Internal diagnostic malfunction.	Cycle key, if alarm persists traction controller will need to be replaced.
02A12	04A12	1-2	No Drive	EEPROM KO	Internal diagnostic malfunction.	Cycle key, if alarm persists traction controller will need to be replaced.
02A13	04A13	1-3	No Drive	AUX OUTPUT KO	Output did not respond to command.	Verify wire plug connection of fail safe brake. Repair or replace connection as needed. Replace fail safe brake if alarm persists.
02A14	04A14	1-4	No Drive	LOGIC FAILURE # 3	Internal diagnostic malfunction.	Cycle key, if alarm persists traction controller will need to be replaced.
02A15	04A15	1-5	No Drive	LOGIC FAILURE # 2	Internal diagnostic malfunction.	Cycle key, if alarm persists traction controller will need to be replaced.
02A16	04A16	1-6	No Drive	LOGIC FAILURE # 1	Low battery charge, loose or shorted connection at key switch.	Charge battery(s) and replace as needed. Verify, repair or replace wire connection at key switch as needed. If alarm persists traction controller will need to be replaced.
					Excessive battery charge, loose or shorted connection at key switch.	Verify correctly charged battery(s). If alarm persists traction controller will need to be replaced.
02A17	04A17	1-7	No Drive	VMN LOW	Low battery charge, loose or shorted connection at drive motor or traction controller.	Charge battery(s). Verify, repair or replace connections at drive motor and traction controller as needed. If alarm persists traction controller will need to be replaced.
02A18	04A18	1-8	No Drive	VMN HIGH	Excessive battery charge, loose or shorted connection at drive motor or traction controller.	Charge battery(s). Verify, repair or replace connections at drive motor and traction controller as needed. If alarm persists traction controller will need to be replaced.
02A19	04A19	1-9	No Drive	Contactors Closed	Contactors has been manually shorted. Short between contactor and positive battery connection.	Verify, repair or replace connection between contactor and positive battery connection as needed. Replace contactor if alarm persists.
02A21	04A21	2-1	No Drive	Contactors Open	Low battery charge, short between contactor and positive battery connection.	Charge battery(s) and verify, repair or replace connection between contactor and positive battery as needed. Replace contactor if alarm persists.
02A22	04A22	2-2	Reduced Drive Speed	Ebrake KO	Brake has malfunctioned during start sequence.	Replace Fail Safe Brake.
02A22	04A22	2-2	No Drive	Ebrake not ok	Fail safe brake has malfunctioned during start sequence.	Replace Fail Safe Brake.
02A23	04A23	2-3	No Drive	I=0 EVER	Internal diagnostic malfunction.	Cycle key, if alarm persists traction controller will need to be replaced.
02A24	04A24	2-4	No Drive	STBY I HIGH	Internal diagnostic malfunction.	Cycle key, if alarm persists traction controller will need to be replaced.
02A25	None	2-5	No Drive	EMERGENCY	the e-stop button is engaged, wiring harness has been damaged	Turn off e-stop Cycle key, if alarm persists wiring harness will need to be replaced.
02A26	04A26	2-6	No Drive	CAPACITOR CHARGE	External device or shorted connection drawing power from positive battery connection or key switch.	Remove any unapproved device drawing power from system. Verify, repair or replace connections of positive battery and keyswitch as needed. If alarm persists replace traction controller.
02A27	04A27	2-7	Reduced Drive Speed	High Temperature	Debris not allowing traction controller(s) to cool properly.	Remove debris build up from traction controller and/or base. Replace traction controller if alarm persists.

					Traction controller baseplate temperature has exceeded maximum allowable.	Remove debris build up from traction controller and/or base. Replace traction controller if alarm persists.
--	--	--	--	--	---	---

Code 02 = Right Side	Code 04 = Left Side	LED Flash Code	Symptom	Smartec Interface Tool	(Why)	How to repair.
02A27	04A27	2-7	No Drive	High Temperature	Debris not allowing traction controller(s) to cool properly.	Remove debris build up from traction controller and/or base. Replace traction controller if alarm persists.
					Traction controller baseplate temperature has exceeded maximum allowable.	Remove debris build up from traction controller and/or base. Replace traction controller if alarm persists.
02A28	04A28	2-8	Reduced Drive Speed	Motor Temperature	Debris not allowing drive motor to cool properly. U,V or W power connections are incorrectly connected between the traction controller and the drive motor	Remove debris build up from drive motor. Connect the traction controller wiring per the manufacturers specifications. If alarm persists replace drive motor.
					Internal failure in drive motor.	Replace drive motor if alarm persists.
02A28	04A28	2-8	No Drive	Motor Temperature	Debris not allowing drive motor to cool properly.	Remove debris build up from drive motor. If alarm persists replace drive motor.
					Internal failure in drive motor.	Replace drive motor if alarm persists.
02A29	04A29	2-9	Reduced Drive Speed	Battery Low	Battery(s) not charged or won't hold charge.	Attempt to recharge and replace battery(s) if alarm persists.
02A29	04A29	2-9	No Drive	Battery Low	Battery(s) not charged or won't hold charge.	Attempt to recharge and replace battery(s) if alarm persists.
02A31	04A31	3-1	Reduced Drive Speed	Encoder Locked	Speed feedback below minimum allowable.	Reconnect or replace speed sensor.
			Reduced Drive Speed		Wheel blocked from spinning.	Remove source of blockage.
02A31	04A31	3-1	No Drive	Encoder Locked	Speed feedback below minimum allowable.	Reconnect or replace speed sensor if alarm persists.
02A32	04A32	3-2	No Drive	Encoder Error	High speed condition, speed sensor has quit working.	Cycle key, refer to owners manual for proper mower use, if alarm persists speed sensor will need to be replaced.
02A33	04A33	3-3	No Drive	BRAKE	Brake switch input is high, disconnected brake switch, brake pedal not disengaging.	Verify, repair or replace brake wiring connections as needed, verify pedal is disengaged. Replace brake switch if alarm persists.
02A34	04A34	3-4	No Drive	THERMIC SENS KO	Internal diagnostic malfunction.	Cycle key, if alarm persists traction controller will need to be replaced.
02A35	04A35	3-5	No Drive	DRIVER SHORTED	Voltage low at contactor.	Verify contactor connection to negative battery for short or loose connection, repair or replace as needed. Replace contactor if alarm persists.
02A36	04A36	3-6	No Drive	CONTACTOR DRIVER	Voltage high at contactor.	Verify contactor connection to positive battery for short or loose connection repair or replace as needed. Replace contactor if alarm persists.
02A37	None	3-7	No Drive	COIL SHORTED	Voltage high at Input.	If the error happens at start up, key on, replace contactor.
02A37	None	3-7	No Drive	COIL SHORTED	Voltage high at Input.	If the error only occurs when the accelerator / drive handle is pressed to move, replace fail safe brake if alarm persists.

02A38	04A38	3-8	No Drive	VACC NOT OK	Malfunctioning accelerator, disconnected or shorted accelerator connection.	Verify, repair or replace accelerator connections as needed. Replace accelerator if alarm persists.
02A39	04A39	3-9	No Drive	FORW + BACK	Malfunctioning accelerator, disconnected or shorted accelerator connection.	Verify, repair or replace accelerator connections as needed. Replace accelerator if alarm persists.
Code 02 = Right Side	Code 04 = Left Side	LED Flash Code	Symptom	Smartec Interface Tool	(Why)	How to repair.
02A42	04A42	4-2	No Drive	LOW VOLTAGE	Loose or shorted connection between positive battery(s) and/or traction controller, malfunctioning traction controller.	Verify, repair or replace connection(s) between battery(s) and/or traction controller as needed. Replace traction controller if alarm persists.
02A43	04A43	4-3	No Drive	MANUAL BRAKE REL	Fail safe brake has been manually overridden, malfunctioning manual brake release switch, loose or shorted connection.	Verify brake is not manually released, verify, repair or replace connections as needed. Replace manual brake release switch if alarm persists.
02A44	04A44	4-4	No Drive	No seat in run	Operator came out of seat while machine is moving, seat switch is making intermittent contact.	Stay in seat. Verify, repair or replace connections as needed. Replace seat switch if alarm persists.
02A45	04A45	4-5	No Drive	PEDAL WIRE KO	Disconnected or shorted accelerator connection.	Reconnect, repair or replace accelerator connection as needed. Check for debris in connector and clean as needed. Synchronize accelerator with Smartec Interface tool.
02A46	04A46	4-6	No Drive	Deck CAN bus KO	External interference with the CAN communications. Damaged or loose connection. Damaged wire shielding or malfunctioning deck controller.	Cycle key. Verify, repair or replace connections from traction controller to deck controller as needed. Refer to mower manufacturer for wire shielding requirements, repair or replace shielding as needed. Replace deck controller if alarm persists.
02A47	04A47	4-7	No Drive	PROG VACC Not OK	Accelerator inputs not set.	Synchronize accelerator with Smartec interface tool.
02A48	04A48	4-8	No Drive	WRONG SET BATTERY	Incorrect or Improperly charged battery(s).	Charge or replace battery(s) per manufacturer's recommendation.
02A51	04A51	5-1	No Drive	INPUT ERROR1 (PAL KO)	Internal diagnostic malfunction.	Cycle key, if alarm persists traction controller will need to be replaced.
02A52	04A52	5-2	No Drive	00 RELOAD HM MDI	Traction controller or digital dash display has been replaced.	Machine will default hours. Leave key in on position for two minutes then cycle key off and back on.
02A54	04A54	5-4	No Deck Operation	PTO time out	Power saving software has turned on due to machine in stationary position with the blades engaged.	Cycle key and restart deck.
02A55	04A55	5-5	No Drive	VACC OUT OF RANGE	Malfunctioning accelerator, disconnected or shorted accelerator connection.	Verify, repair or replace accelerator connection as needed. Replace accelerator if alarm persists. Synchronize accelerator with Smartec interface tool.
02A56	04A56	5-6	No Drive	Display CAN BUS KO	Disconnected or shorted can bus connection between traction controller and digital display.	Verify, repair or replace wire connection between traction controller and digital display as needed.
02A57	04A57	5-7	No Drive	CAN bus KO	CAN communication, interrupted	Cycle key, Check CAN wiring for opens or shorts, check the can shield wire is connected to the vehical chasiss, repalce Digital Display or Traction Controllers

02A57	04A57	5-7	No Drive	Waiting on Node	Smartec Interface Tool is connected to the incorrect traction controller, CAN communication, interrupted	Switch the interface tool to the other traction controller, Cycle key, Check CAN wiring for opens or shorts, check the can shield wire is connected to the vehical chassiss, repalce Digital Display or Traction Controllers
Code 02 = Right Side	Code 04 = Left Side	LED Flash Code	Symptom	Smartec Interface Tool	(Why)	How to repair.
02A61	04A61	6-1	No Drive	NO SEAT START	Malfunctioning seat switch, disconnected or shorted connection.	Verify, repair or replace seat switch connection as needed. Replace seat switch if alarm persists.
02A62	None	6-2	No Drive	NO NEUT START	Pedal stuck in forward or reverse, cruise control on, malfunctioning neutral switch, disconnected or shorted connection. If occurs while running check the connection at the key switch.	Verify pedal/handle position. Verify cruise control is off. Verify, repair or replace neutral switch connections as needed. Replace neutral switch if alarm persists.
02A63	04A63	6-3	No Drive	PTO ON AT START	PTO switch is on during start up. malfunctioning PTO switch, disconnected or shorted connection.	Verify PTO switch is off. Verify, repair or replace PTO switch connection as needed. Replace PTO switch if alarm persists.
02A64	04A64	6-4	No Drive	ROS ON AT START	ROS switch is on during start up. malfunctioning ROS switch, disconnected or shorted connection.	Verify ROS switch is off. Verify, repair or replace ROS switch connection as needed. Replace ROS switch if alarm persists.
02A65	04A65	6-5	No Drive	NO BRAKE START	Brake switch is not on during start up. Malfunctioning brake switch, disconnected or shorted connection.	Verify parking brake switch is on. Verify, repair or replace brake switch connection as needed. Replace brake switch if alarm persists.
16A06	None	none	No Digital Display	None	Digital display communication issue.	Cycle key. Verify, repair or replace CAN wire connections as needed. Refer to mower manufacturer for wire shielding requirements, repair or replace shielding as needed. Replace digital display if alarm persists.
None	None	None	Reduced Drive Speed	None	Stripped Internal Axle Spline.	Replace Gearbox components as needed.
None	None	None	Reduced Drive Speed	None	Stripped gear.	Replace Gearbox components as needed.
None	None	None	No Drive	None	Stripped internal or external axle spline.	Replace Gearbox components as needed.
None	None	None	No Drive	None	Stripped or broken gear.	Replace Gearbox components as needed.
None	None	None	No Drive	None	Damaged or missing key, damaged key slot.	Replace key and or axle as needed.
None	None	None	Leaks	None	Damaged or malfunctioning seal, sealant or o-ring.	Replace seals, sealant or o-rings as needed.
None	None	None	No Deck Operation	None	Extreme mowing conditions.	Refer to machine owners manual for proper mower use. Move to short grass area, cycle key and restart deck.
None	None	None	No Deck Operation	None	Blockage under mower deck.	Disconnect power from deck and clear of any foreign obstructions. Refer to service and repair manual for proper procedure for disconnecting power from the deck before attempting this repair.
None	None	None	No Deck Operation	None	Various	See Page Number XX for for further troubleshooting for loss of deck operation.

--	--	--	--	--	--	--	--	--	--

The Smithco Commercial Products Two-Year Limited Warranty

Smithco, Inc. (Smithco) warrants your 2007 or newer Smithco Commercial Product ("Product") purchased after January 1, 2007, to be free from defects in materials or workmanship for the period of time listed below. Where a warrantable condition exists, Smithco will repair the Product at no cost to you including diagnosis, labor (at the Smithco standard labor rate, subject to the Smithco flat rate schedule), and parts.

Warranty Duration Is:

1. Two years, 1500 operational hours* from the date of delivery to the original purchaser or three years from the date of original manufacturer of the product, whichever occurs first. (*Products equipped with hour meter).
2. Products used in rental situations are covered for 90 days from date of delivery to original user/renter.

Owner responsibilities:

As the Product owner, you are responsible for required maintenance and adjustments stated in your Owner's Manual. Failure to perform required maintenance and adjustments can be grounds for disallowing a warranty claim. **You are particularly responsible to train all present and future operators of this product on the safe operation of this product at your location.**

Instructions for Obtaining Warranty Service:

You are responsible for notifying the Authorized Smithco Products Distributor from whom you purchased the Product as soon as you believe a warrantable condition exists and not later than 30 days from discovery of the condition.

If you need help locating an Authorized Smithco Distributor, or if you have questions regarding your warranty rights or responsibilities, you may contact us at:

Smithco Product Support Department
Highway 55 @ Poplar St.
Cameron, Wisconsin 54822
Telephone: 715-458-4192 E-Mail: ProductSupport@Smithco.com

Maintenance Parts:

Parts scheduled for replacement as required maintenance ("Maintenance Parts"), are warranted for the period of time up to the scheduled replacement time for that part.

Items/Conditions Not Covered:

Not all product failures or malfunctions that occur during the warranty period are defects in materials or workmanship. The items/conditions listed below are not covered by this warranty.



Product failures which result from the use of non-Smithco replacement parts, or from installation and use of add-on, modified, or unapproved accessories are not covered.



Product failures which result from failure to perform required maintenance and/or adjustments are not covered.



Product failures that result from operating the Product in an abusive, negligent or reckless manner are not covered.



This warranty does not apply to parts subject to consumption through use, unless found to be defective. Examples of parts which are consumed, or used up during normal Product operation include, but are not limited to: blades, tines, teeth, scarifiers, rakes, plates, wear plates, castor wheels, tires, batteries, filters, belts, nozzles, etc.



This warranty does not apply to failures caused by outside influence. Items considered to be outside influence include, but are not limited to, weather, storage practices, contamination, use of unapproved coolants, lubricants, additives, or chemicals, etc.



This warranty does not apply to normal "wear and tear" items. Normal "Wear and Tear" includes, but is not limited to, damage to seats due to wear or abrasion, worn painted surfaces, scratched decals or windows, etc.



Smithco may require the return of failed parts or components in order determine the validity of any warranty claim.



Smithco will not be obligated to replace components of other manufacturers if inspection by the original component manufacturer indicates that failure was due to normal wear and tear, expected consumption through use or improper care or service.

Other Legal Disclaimers:

The above remedy for product defects through repair or replacement by an authorized Smithco distributor or dealer is the purchaser's sole remedy for any defect. This warranty gives you specific legal rights, and you may also have other rights which vary from state to state.

THERE ARE NO OTHER EXPRESS WARRANTIES OTHER THAN THOSE SET FORTH ABOVE. ALL IMPLIED WARRANTIES OF MERCHANTABILITY AND FITNESS FOR USE ARE LIMITED TO THE DURATION OF THE LIMITED WARRANTIES CONTAINED HEREIN.

Some States may not allow limitations on how long an implied warranty lasts, so the above limitation may not apply to you.

THE SMITHCO COMPANY IS NOT LIABLE FOR INDIRECT, INCIDENTAL OR CONSEQUENTIAL DAMAGES IN CONNECTION WITH THE USE OF THE PRODUCT, INCLUDING ANY COST OR EXPENSE OF PROVIDING A SUBSTITUTE PRODUCT OR SERVICE DURING PERIODS OF MALFUNCTION OR NON-USE.

Some states may not allow the exclusion of indirect, incidental or consequential damages, so the above exclusion may not apply to you.

Smithco neither assumes, nor authorizes any person to assume for it, any other liability in connection with the sale or use of this product.

**SMITHCO, INC.
WANYE, PA 19087**

