



Parts Manual

TOURNAMENT ELECTRA II

7570

SN: TE100

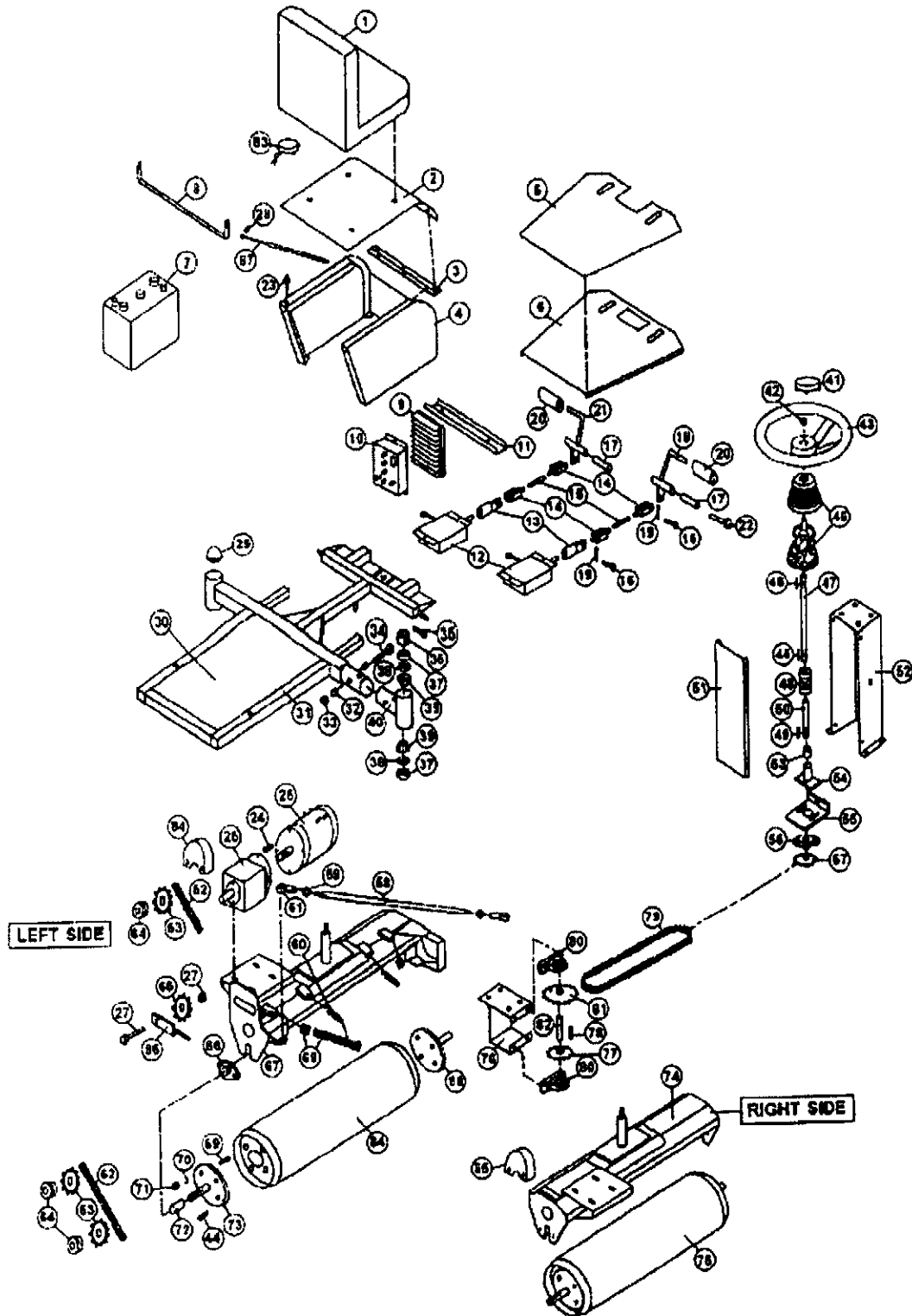
October, 2007

***Product Support: 1020 Hwy 224; Humboldt, KS 66748
1-888-422-5173 humbindustries@sbcglobal.net***

TABLE OF CONTENTS

TITLE	PAGE
7570 Drawing.....	3
7570 Parts List.....	4-5
7570 Wiring Diagram.....	6
7570 Wiring Parts List.....	7
750-603 Motor Drawing & Parts List.....	8

7570 TOURNAMENT ELECTRA II DRAWING



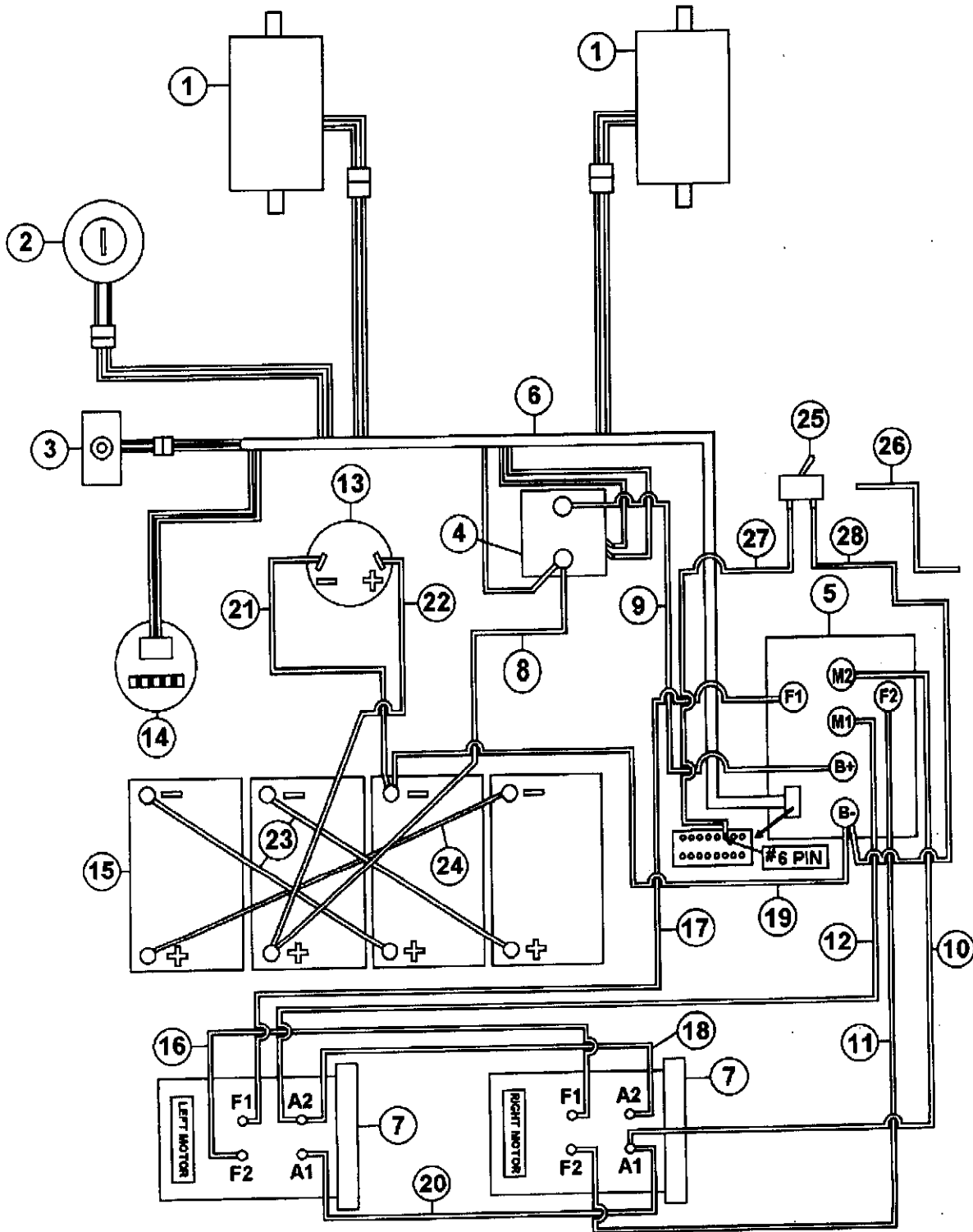
7570 TOURNAMENT ELECTRA II PARTS LIST

REF#	PART#	DESCRIPTION	QTY.
1	832-123	Low-Back "SMITHCO" Seat	1
2	750-654	Seat Plate	1
3	750-640	Seat Plate Hinge	1
4	750-635	Battery Cover	1
5	750-278	Rubber Mat	1
6	750-653	Deck Plate	1
7	842-001	12V Battery	4
8	750-675	Battery Hold Down	1
9	750-612	Finned Baseplate	1
10	750-604	48V Controller	1
11	750-674	Controller Mount	1
12	750-607	Accelerator	2
13	750-649	Accelerator Clevis	2
14	11-101-1	Yoke	4
15	750-152-1	Rod	1
16	720-078-1	5/16" x 1" Clevis Pin	4
17	10-007	Ollite Bushing	2
18	750-643	Foot Pedal Right	1
19	720-079	Cotter Pin	4
20	943-127	Accelerator Pedal Pad	2
21	750-642	Foot Pedal Left	1
22	400-061	1/2" Bolt 3 1/2"	2
23	41-143	Protective Bumper	2
24	1518	1/4" x 1 1/2" Key	2
25	750-631	Gear Box	2
26	750-603	Dual Motor	2
27	400-333	5/8" Bolt 3"	2
28	41-129	Gas Shock Ball Stud	2
29	750-192	Poly Nut Cap	2
30	750-655	Battery Plate	1
31	750-650	Main Frame	1
32	750-150	Spacer	2
33	400-112	1/2" Locknut 2-Way	1
34	400-061	1/2" x 3 1/2" Bolt	1
35	720-043	Cotter Pin 1/8" x 1 1/2"	2
36	932-042	Thick Slotted Hex Nut 1 1/4"	2
37	932-024	Spacer	2
38	932-022	Seal	4
39	932-023	Bearing	4
40	750-166	Swivel Axle Bracket	1
41	730-046-2	Steering Wheel Cap	1
42	730-046-3	Steering Wheel Nut	1
43	730-046	Steering Wheel	1
44	1517	1/4" Key	2
45	832-028	Tilt Steering & Boot	1
46	1088	3/16 x 1" Key	1
47	750-286	Upper Steering Shaft	1

7570 TOURNAMENT ELECTRA II PARTS LIST (Continued)

REF#	PART#	DESCRIPTION	QTY.
48	41-120	U-Joint 3/4" x 3/4"	1
49	1088	Key 3/16" x 1"	1
50	750-266	Lower Steering Shaft	1
51	750-107	Column Cover	1
52	750-106	Steering Column	1
53	520-007	Bronze Bushing	1
54	750-195	Steering Shaft Bracket	1
55	41-194	Chain Adjuster Bracket	1
56	1036	Jackshaft Bearing	1
57	1075	#40 x 11T Sprocket	1
58	750-242	Tie Rod	1
59	400-136	1/2" Nut	2
60	40-199	Idler Spring	2
61	713-806	Ball Joint	2
62	750-636	#50 Chain 54 Pitch	2
63	750-634	50 SH 17H Sprocket	4
64	709-202	SH x 1 Bushing	4
65	1073	Idler Sprocket	2
66	720-004	Bearing 1"	4
67	750-671	Roller Housing Left	1
68	750-248	#50 Chain 64 Pitch	1
69	1189	Lug Bolt	8
70	400-210	1/2" Lock Washer	8
71	400-136	1/2" Nut	8
72	750-277	Spacer	2
73	750-220-1	Hub w/Key	1
74	750-652	Roller Housing Right	1
75	750-220	Roller w/Hubs	2
76	750-243	Bearing & Sprocket Bracket	1
77	750-133	50BS19 x 3/4" Sprocket	1
78	1088	3/16" x 1" Key	2
79	750-648	#40 Chain 124 Pitch	1
80	1040	Front Axle Bearing	2
81	750-234	40BS 60T Sprocket	1
82	750-148	Sprocket & Bearing Shaft 6"	1
83	932-119-1	Safety Seat Switch / White	1
84	750-644	Chain Cover Left	1
85	750-645	Chain Cover Right	1
86	750-647	Chain Adjuster Bolt	2
87	41-128	Gas Shock	1
88	750-220-2	Hub with out Key	1

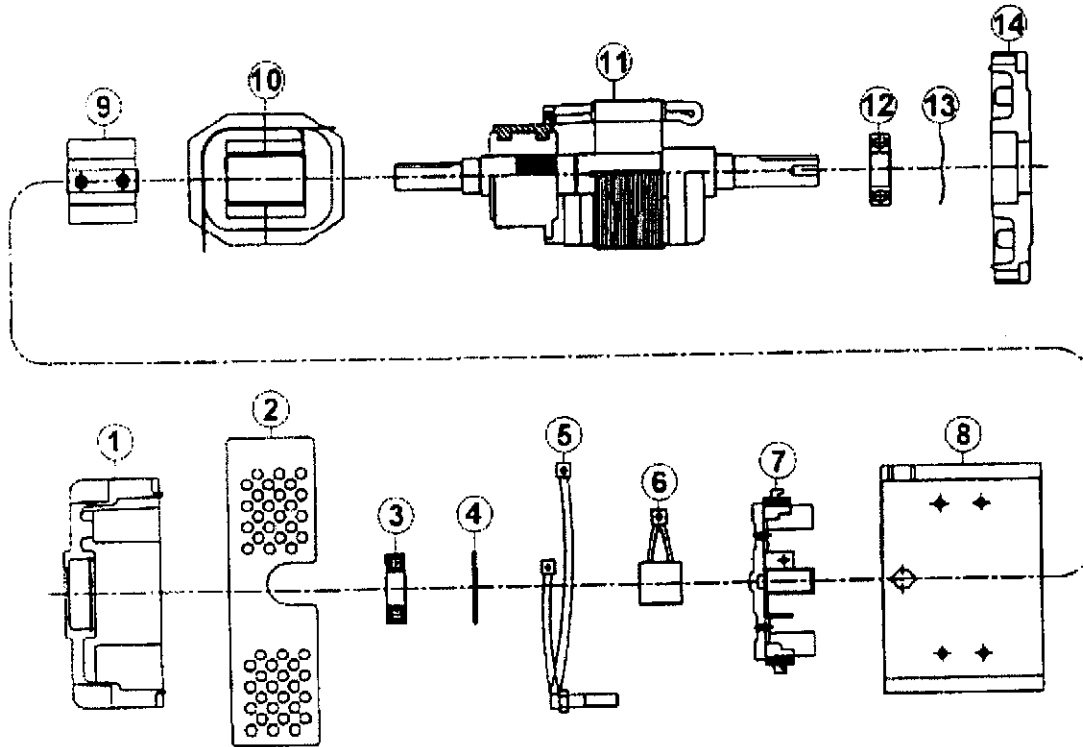
7570 WIRING DIAGRAM



7570 WIRING DIAGRAM PARTS LIST

REF#	PART#	DESCRIPTION	QTY.
1	750-607	Accelerator	2
2	832-514	Key Switch	1
3	750-675	Two Speed Switch	1
4	750-605	Contactor	1
5	750-604	48V Controller	1
6	750-608	Wiring Harness	1
7	750-603	Motor	2
8	750-623	Wire 2 GA 16"	1
9	750-622	Wire 2 GA 8"	1
10	750-616	Wire 2 GA 33"	1
11	750-613	Wire 6 GA 32"	1
12	750-618	Wire 2 GA 53"	1
13	732-017	Charge Plug	1
14	750-609	Hour & Charge Meter	1
15	842-001	12 V Battery	4
16	750-614	Wire 6 GA 50"	1
17	750-615	Wire 6 GA 53"	1
18	750-617	Wire 2 GA 50"	1
19	750-637	Wire 2 GA 26"	1
20	750-617	Wire 2 GA 50"	1
21	750-619	Wire 8 GA 18"	1
22	750-620	Wire 8 GA 8"	1
23	843-141	Wire 2 GA 18"	2
24	843-142	Wire 2 GA 28"	1
25	2070	Switch	1
26	750-679	Switch Plate	1
27	750-680	Red Wire	1
28	750-681	Black Wire	1

750-603 MOTOR DRAWING



750-603 MOTOR PARTS LIST

REF#	PART#	DESCRIPTION	QTY.
1*	750-603-1	Commutator End Head	1
2*	750-603-2	Head Band	1
3	750-603-3	Bearing	1
4	750-603-4	Retaining Ring	1
5*	750-603-5	Lead Wire Assembly	1
6*	750-603-6	Brush	1
7*	750-603-7	Brush Box Assembly	1
8	750-603-8	Motor Frame	1
9*	750-603-9	Pole Shoe Assembly	1
10*	750-603-10	Shunt Coil Assembly	1
11	750-603-11	Armature Assembly	1
12	750-603-12	Bearing	1
13	750-603-13	Wavy Washer	1
14*	750-603-14	Drive End Head	1

NOTE: * INDICATES ALL FASTENERS INCLUDED WITH EACH CORRESPONDING ITEM.

The Smithco Commercial Products Two-Year Limited Warranty

Smithco, Inc. (Smithco) warrants your 2007 or newer Smithco Commercial Product ("Product") purchased after January 1, 2007, to be free from defects in materials or workmanship for the period of time listed below. Where a warrantable condition exists, Smithco will repair the Product at no cost to you including diagnosis, labor (at the Smithco standard labor rate, subject to the Smithco flat rate schedule), and parts.

Warranty Duration is:

- (1) Two years, 1500 operational hours* from the date of delivery to the original purchaser or three years from the date of original manufacturer of the product, whichever occurs first. (*Products equipped with hour meter).
- (2) Products used in rental situations are covered for 90 days from date of delivery to original user/renter.

Owner Responsibilities:

As the Product owner, you are responsible for required maintenance and adjustments stated in your Owner's Manual. Failure to perform required maintenance and adjustments can be grounds for disallowing a warranty claim. **You are particularly responsible to train all present and future operators of this product on the safe operation of this product at your location.**

Instructions for Obtaining Warranty Service:

You are responsible for notifying the Authorized Smithco Products Distributor from whom you purchased the Product as soon as you believe a warrantable condition exists and not later than 30 days from discovery of the condition.

If you need help locating an Authorized Smithco Distributor, or if you have questions regarding your warranty rights or responsibilities, you may contact us at:

Smithco Product Support Department
Highway 55 @ Poplar St.
Cameron, Wisconsin 54822
Telephone: 715-458-4192 E-Mail: ProductSupport@Smithco.com

Maintenance Parts:

Parts scheduled for replacement as required maintenance ("Maintenance Parts"), are warranted for the period of time up to the scheduled replacement time for that part.

Items/Conditions Not Covered:

Not all product failures or malfunctions that occur during the warranty period are defects in materials or workmanship. The items/conditions listed below are not covered by this warranty:

- Product failures which result from the use of non-Smithco replacement parts, or from installation and use of add-on, modified, or unapproved accessories are not covered.
- Product failures which result from failure to perform required maintenance and/or adjustments are not covered.
- Product failures that result from operating the Product in an abusive, negligent or reckless manner are not covered.
- This warranty does not apply to parts subject to consumption through use, unless found to be defective. Examples of parts which are consumed, or used up, during normal Product operation include, but are not limited to: blades, tines, teeth, scarifiers, rakes, plates, wear plates, castor wheels, tires, batteries, filters, belts, nozzles, etc.

- ✎ This warranty does not apply to failures caused by outside influence. Items considered to be outside influence include, but are not limited to, weather, storage practices, contamination, use of unapproved coolants, lubricants, additives, or chemicals, etc.
- ✎ This warranty does not apply to normal "wear and tear" items. Normal "Wear and Tear" includes, but is not limited to, damage to seats due to wear or abrasion, worn painted surfaces, scratched decals or windows, etc.
- ✎ Smithco may require the return of failed parts or components in order to determine the validity of any warranty claim.
- ✎ Smithco will not be obligated to replace components of other manufacturers if inspection by the original component manufacturer indicates that failure was due to normal wear and tear, expected consumption through use or improper care or service.

Other Legal Disclaimers:

The above remedy for product defects through repair or replacement by an authorized Smithco distributor or dealer is the purchaser's sole remedy for any defect. This warranty gives you specific legal rights, and you may also have other rights which vary from state to state.

THERE ARE NO OTHER EXPRESS WARRANTIES OTHER THAN THOSE SET FORTH ABOVE. ALL IMPLIED WARRANTIES OF MERCHANTABILITY AND FITNESS FOR USE ARE LIMITED TO THE DURATION OF THE LIMITED WARRANTIES CONTAINED HEREIN.

Some states may not allow limitations on how long an implied warranty lasts, so the above limitation may not apply to you.

THE SMITHCO COMPANY IS NOT LIABLE FOR INDIRECT, INCIDENTAL OR CONSEQUENTIAL DAMAGES IN CONNECTION WITH THE USE OF THE PRODUCT, INCLUDING ANY COST OR EXPENSE OF PROVIDING A SUBSTITUTE PRODUCT OR SERVICE DURING PERIODS OF MALFUNCTION OR NON-USE.

Some states may not allow the exclusion of indirect, incidental or consequential damages, so the above exclusion may not apply to you.

Smithco neither assumes, nor authorizes any person to assume for it, any other liability in connection with the sale or use of this product.

SMITHCO, INC.

Wayne, PA 19087

