



*Parts Manual*

# TOURNAMENT ULTRA PLUS

**7590**  
SN: T7827

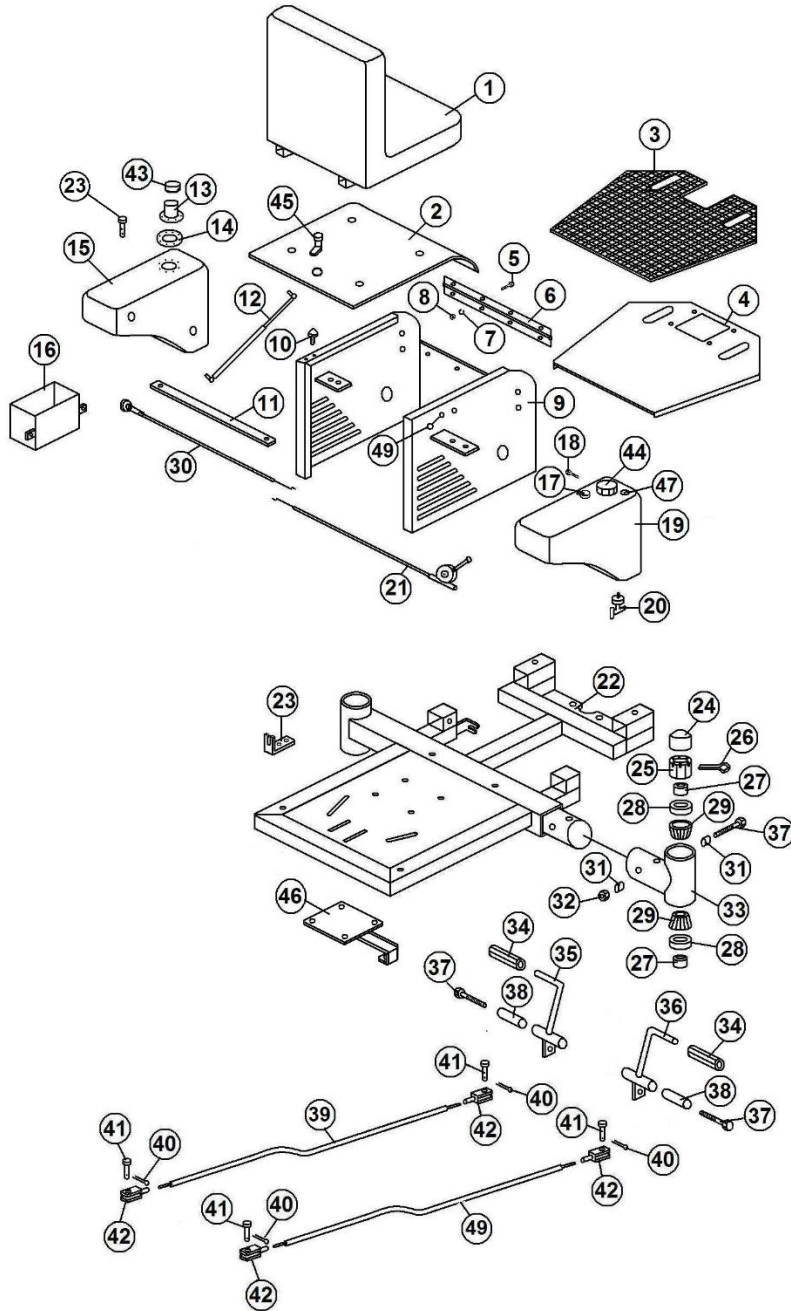
Revised May 2018

Product Support: 1020 Hawaii Rd.; Humboldt, KS 66748  
1-888-422-5173 [wj@smithco.com](mailto:wj@smithco.com)

# **TABLE OF CONTENTS**

<b>TITLE</b>	<b>PAGE</b>
Frame Drawing	1
Frame Parts List	2
Roller Housing Drawing	3
Roller Housing Parts List	4
Steering Drawing	5
Steering Parts List	6
Wiring Drawing & Parts List	7
Engine Drawing & Parts List	8
Wheel Motor Drawing	9
Wheel Motor Parts List	10
Hydraulic Plumbing Drawing	11
Hydraulic Plumbing Parts List	12
750-846 Pump Drawing	13
750-846 Pump Parts List	14
Pump Linkage Drawing	15
Pump Linkage Parts List	16
Performance Chart	17-18
7514 Brush Kit Drawing	19
7514 Brush Kit Parts List	20
7512 Spiker Kit Drawing	21
7512 Spiker Kit Parts List	22
7520 Trailer Drawing	23
7520 Trailer Parts List	24
7525 Trailer Drawing	25
7525 Trailer Parts List	26
SMITHCO Warranty	27-28

# 7590 FRAME DRAWING



## 7590 FRAME PARTS LIST

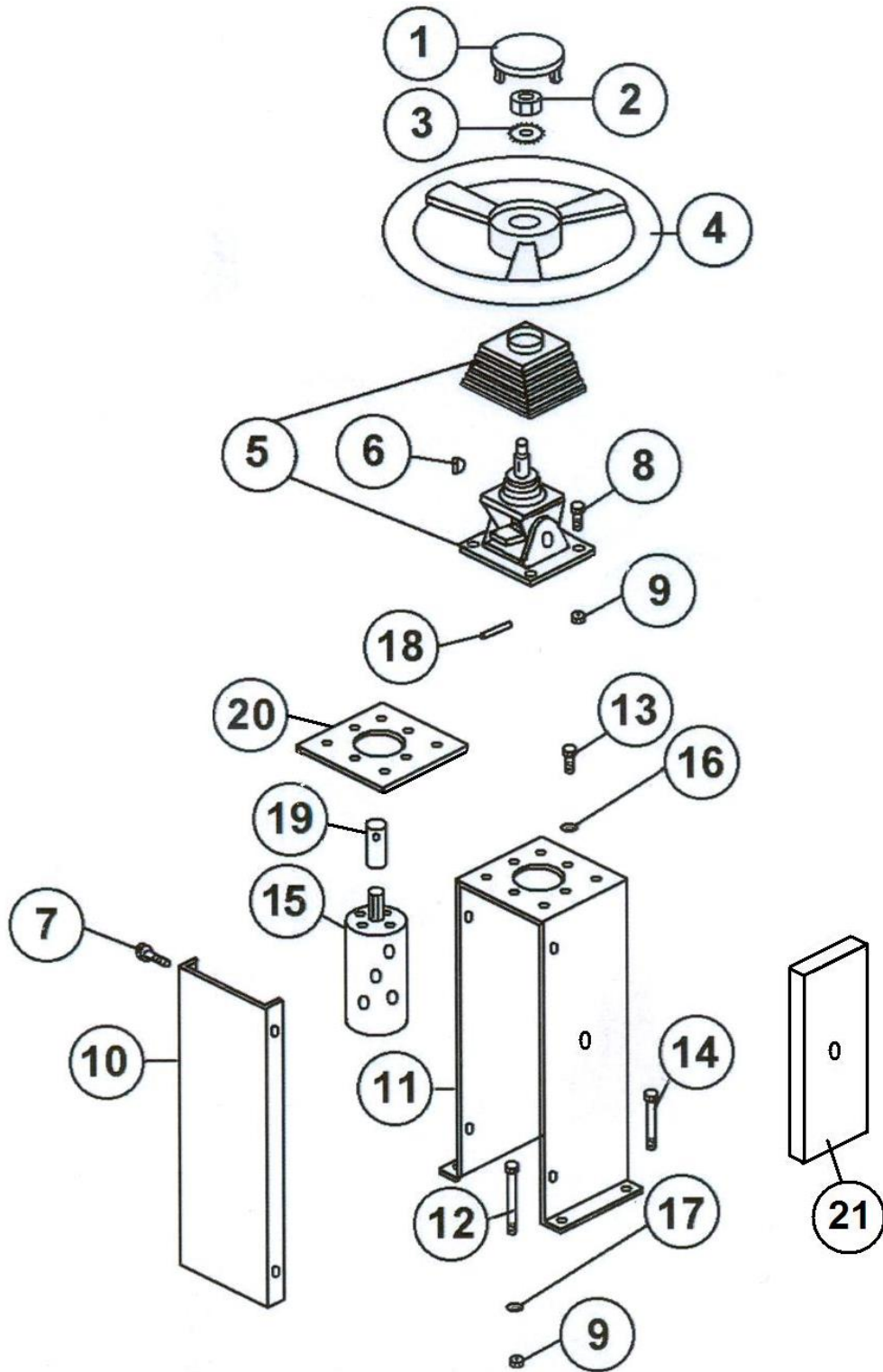
REF#	PART#	DESCRIPTION	QTY.
1	832-123	Low-Back "Smithco" Seat	1
2	750-253-1	Seat Plate	1
3	750-278	Rubber Mat	1
4	750-871	Deck Plate	1
5	400-002	5/16" x 1" HHCS	10
6	750-254	Seat Plate Hinge	1
7	400-207	5/16" Lockwasher	10
8	400-102	5/16" – 18 Hex Nut	10
9	750-262	Engine Cover	1
10	41-143	Protective Bumper	2
11	750-290	Cover Brace	1
12	750-891	Gas Shock Assembly	1
13	750-293	Oil Tank Neck	1
14	750-292-1	Oil Cap Gasket	1
15	943-111	Oil Tank	1
16	750-402	Battery Box	1
17	943-110-4	Vent Valve	1
18	400-043	1/4" – 20 x 3/4" HHCS	6
19	943-110	Gas Tank	1
20	943-110-2	Gas Tank Valve	1
21	750-715	Throttle Cable	1
22	750-872	Main Frame	1
23	400-039	8/32" x 3/4" Machine Screw	6
	400-219	#8 Flat Washer	6
24	750-192	1 1/8" Poly Hex Nut & Cap	2
25	932-042	Thick Slotted Nut 1 1/4"	2
26	709-143-1	Cotter Pin 1/8" x 2 1/2"	2
27	932-024	Spacer	2
28	932-022	Seal	4
29	932-023	Bearing	4
30	943-126	Choke Cable	1
31	750-336	1" Spacer	2
32	400-112	1/2" – 13 Locknut 2-Way	1
33	750-750	Swivel Axle Bracket	1
34	943-127	Accelerator Pedal Pad	2
35	750-893	Left Foot Pedal	1
36	750-892	Right Foot Pedal	1
37	400-061-1	1/2" – 13 x 3 1/2" All Thread Tap Bolt	3
38	10-007	Oilite Bushing	4
39	750-005-1	Left Foot Rod Assy.	1
40	720-079	Cotter Pin 3/32 x 3/4"	4
41	720-078-1	5/16" x 1" Clevis Pin	4
42	11-101-1	Linkage Yoke	4
43	750-292	Oil Filler Breather	1
44	943-110-5	Vented Gas Tank Cap	1
45	843-172	Cover Lock	1
46	750-831	Power Steering Bracket	1
47	943-110-6	Fuel Gauge	1
49	750-004-1	Right Foot Rod Assy.	1



## 7590 ROLLER HOUSING PARTS LIST

REF#	PART#	DESCRIPTION	QTY.
1	750-830	Left Roller Housing	1
2	750-826	Right Roller Housing	1
6	400-112	1/2" -13 Lock Nut	2
7	750-821	Roller Assembly	2
8	400-286	1/2" - 13 Hex Nut	2
9	713-806	Ball Joint	2
10	400-099	1/2" x 1 3/4" Bolt	2
11	400-334	1/2" Flanged Lock Nut	2
12	750-411	Bent Tie Rod	1
13	400-090	3/8" x 1 1/4" HHCS	2
14	400-116	3/8" Lock Nut	2
15	720-004	Flange Bearing	2
16	400-346	3/8" Flange Bolt	1
17	750-220-2	Hub Shaft	2
18	750-210-2	Scraper Knob	4
19	750-210-1	Scraper Rod	2
20	750-210	Scraper Assembly	2
21	750-802	Hub 4 Bolt	2
22	1188	Lug Bolt	8
24	400-119	7/16" Lock Nut	8
25	750-801-1	Nut	2
26	750-217	1/4" x 1" Woodruff Key	2
27	750-801	Hydro Gear Motor	2
28	750-827	Bolted End Plate f/Housing	2
29	400-202	5/16" Flat Washer	8
30	400-014	3/8" x 1" Bolt	8
31	400-116	3/8" Lock Nut	8

# 7590 STEERING DRAWING

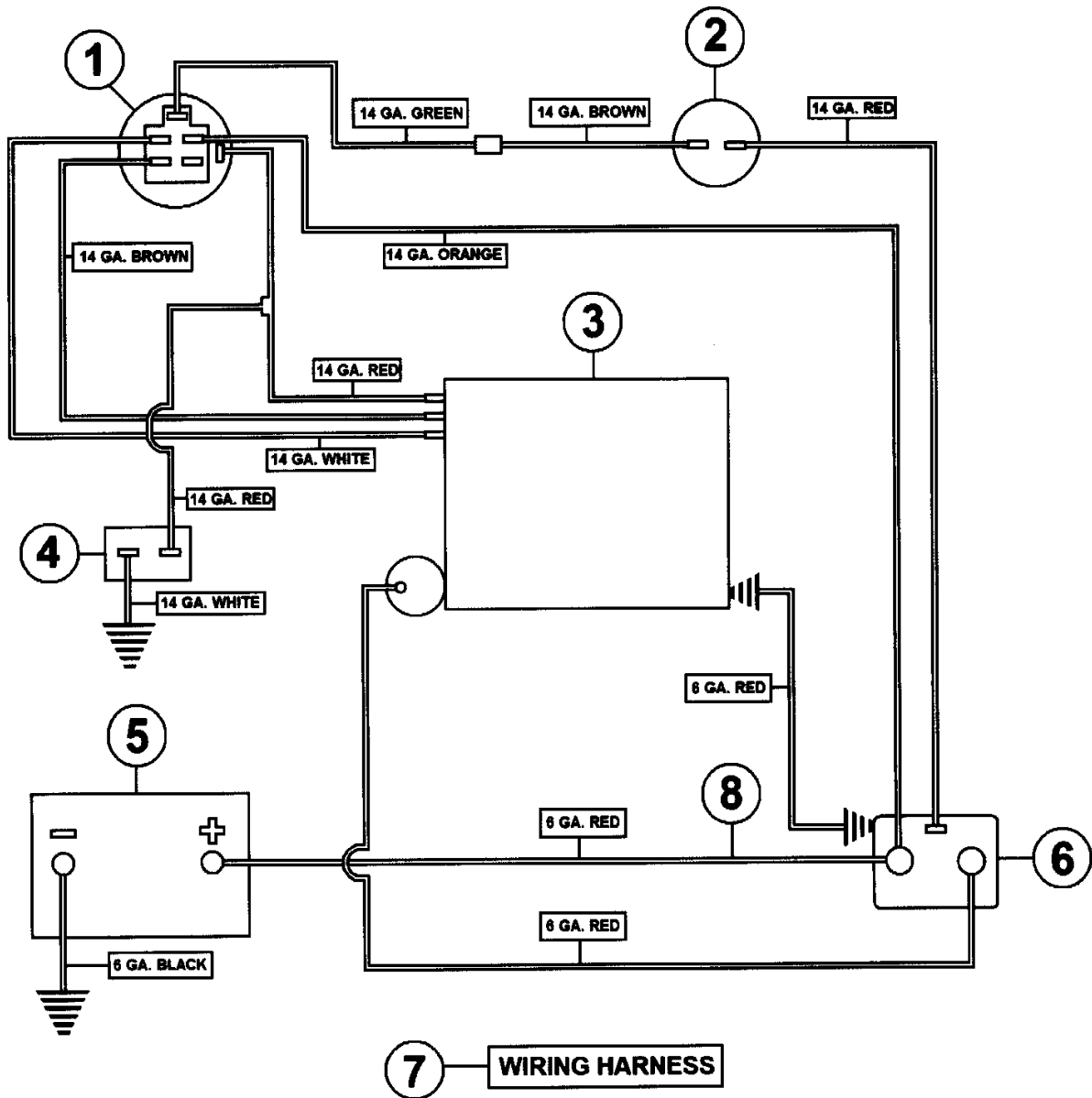


## 7590 STEERING PARTS LIST

REF#	PART#	DESCRIPTION	QTY.
1	730-046-2	Steering Wheel Cap	1
2	932-122	5/8" – 18 Hex Jam Nut	1
3	400-143	5/8" Lock Washer	1
4	730-046	Steering Wheel w/Cap	1
5	832-028	Tilt Steering Mechanism & Boot	1
6	740-023	3/16" x 3/4" Key	1
7	400-073-1	1/4" x 3/4" Drill Screw	4
8	400-001	5/16" – 18 x 3/4" HHCS	4
9	400-281	5/16" Flanged Lock Nut	8
10	750-107	Steering Column Cover	1
11	750-106	Steering Column	1
12	400-339	5/16" x 7" Grade 8 Bolt	2
13	400-337	#6 Bolt	4
14	400-010	5/16" x 5" HHCS	2
15	750-804	Orbital	1
16	400-208	1/4" Lock Washer	4
17	400-202	5/16" Flat Washer	4
18	832-031	Double Roll Pin	2
19	750-806	Stub Shaft	1
20	750-845	Orbital Steering Plate	1
21	750-185-1	Weight Plate	1



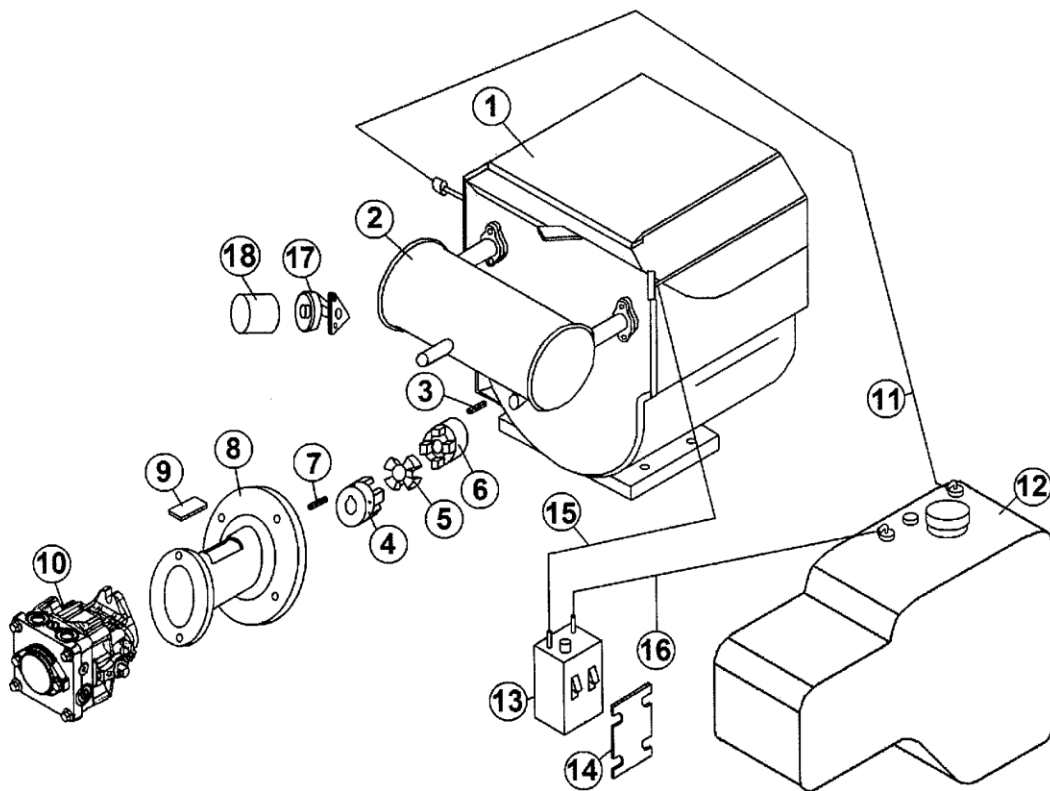
# 7590 WIRING DRAWING



## WIRING PARTS LIST

REF#	PART#	DESCRIPTION	QTY.
1	932-071	Key Switch	1
2	932-119-1	Safety Seat Switch	1
3	943-100	16 HP Vanguard Twin Engine	1
4	44-873	Hour Meter	1
5		Battery	
6	932-072	Solenoid	1
7	750-265	Wiring Harness	1
8	750-401	Battery Wire 6GA Red 33"	1

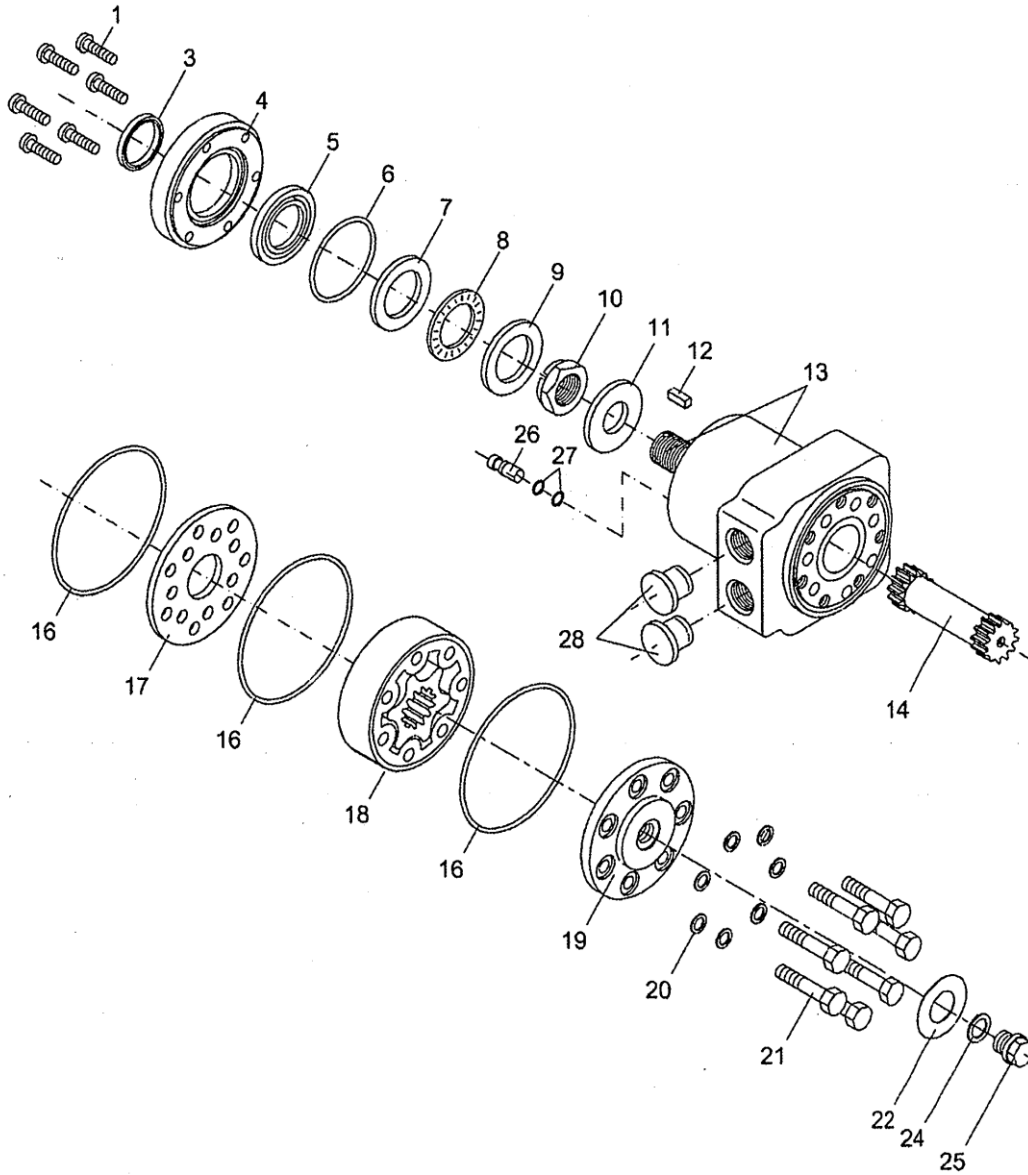
## 7590 ENGINE DRAWING



## 7590 ENGINE PARTS LIST

REF#	PART#	DESCRIPTION	QTY.
1	943-100	16 HP Engine (Model# 303447 Type 1131-E1)	1
2	943-115	Muffler	1
3	1517	1/4" x 1" Key	1
4	750-851	Pump Hub	1
5	720-027	Element	1
6	41-147	Engine Coupling 1"	1
7	750-201	#5 x 1" Key	1
8	750-255	Bell Housing	1
9	750-127-1	Bell Housing Cover	1
10	750-846	16cc w/Aux Charge Pump	1
11	638	1/4" Gas Hose 35"	1
12	943-110	Gas Tank	1
13	943-241	Carbon Canister	1
14	943-240	Carbon Canister Mount	1
15	638	1/4" Gas Hose 40"	1
16	638	1/4" Gas Hose 17"	1
17	943-159	Oil Filter Adapter	1
18	943-104	Oil Filter	1

# 750-801 WHEEL MOTOR DRAWING



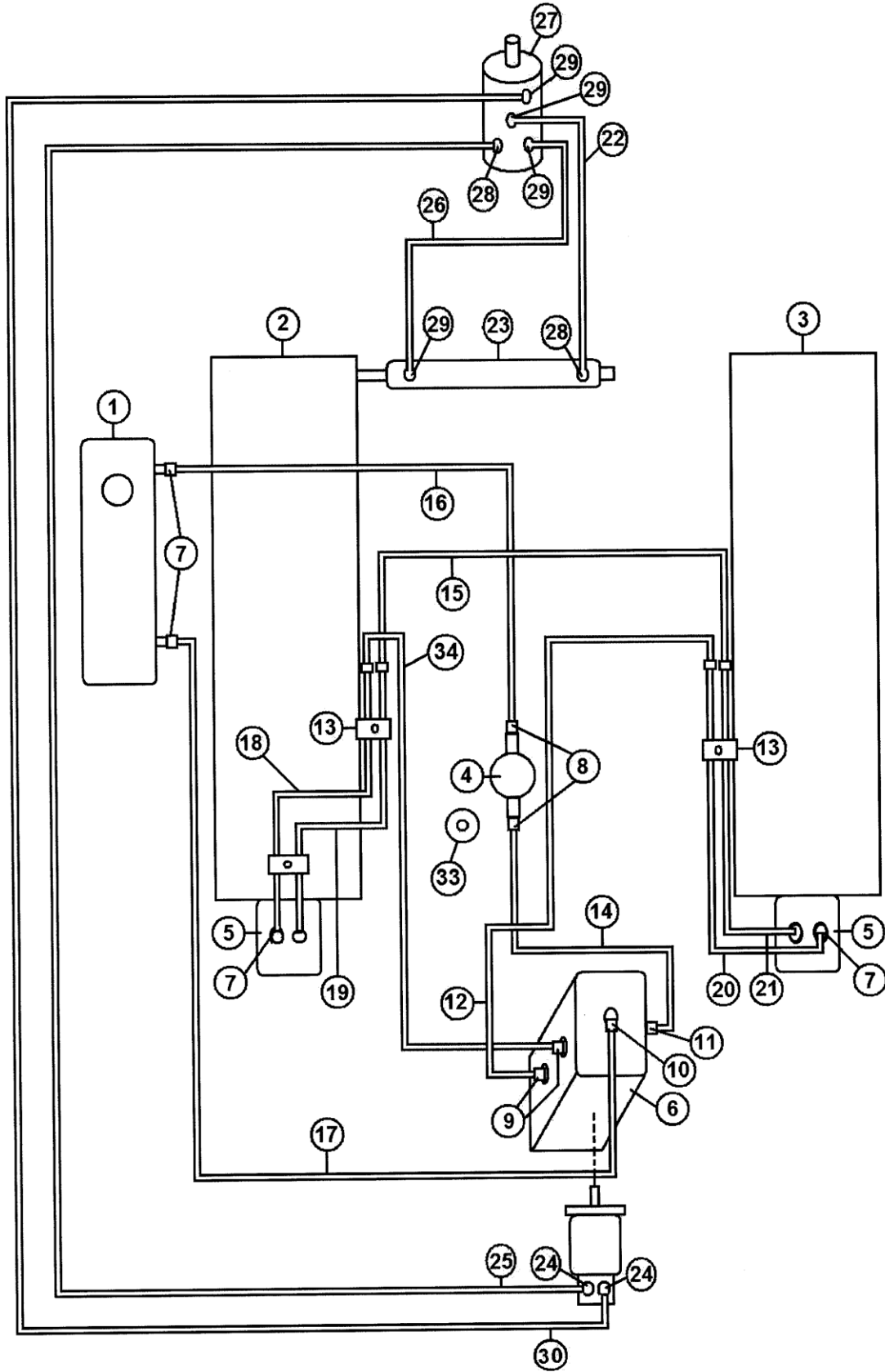
151-1379.10

## 750-801 WHEEL MOTOR PARTS LIST

REF#	PART#	DESCRIPTION	QTY.
1	750-801-6	Screw	6
3	750-801-5	Dust Seal Ring	1
4	750-801-7	Spigot Flange	1
5	750-801-5	Shaft Seal	1
6	750-801-5	O-Ring	1
7	750-801-8	Bearing Race	1
8	750-801-9	Axle Needle Bearing	1
9	750-801-10	Bearing Race	1
10	750-801-11	Castellated Nut	1
11	750-801-12	Washer	1
12	750-801-13	Parallel Key	1
14	750-801-14	Cardan Shaft	1
16	750-801-5	O-Ring	3
17	750-801-15	Distributor Plate	1
18	750-801-16	Gear Wheel Set	1
19	750-801-17	End Cover	1
20	750-801-18	Washer	7
21	750-801-19	Screw	7
24	750-801-20	Washer	1
26	750-801-21	Check Valve	2

**Note: Reference #'s 3, 5, 6 & 16 are part of the 750-801-5 Seal Kit**

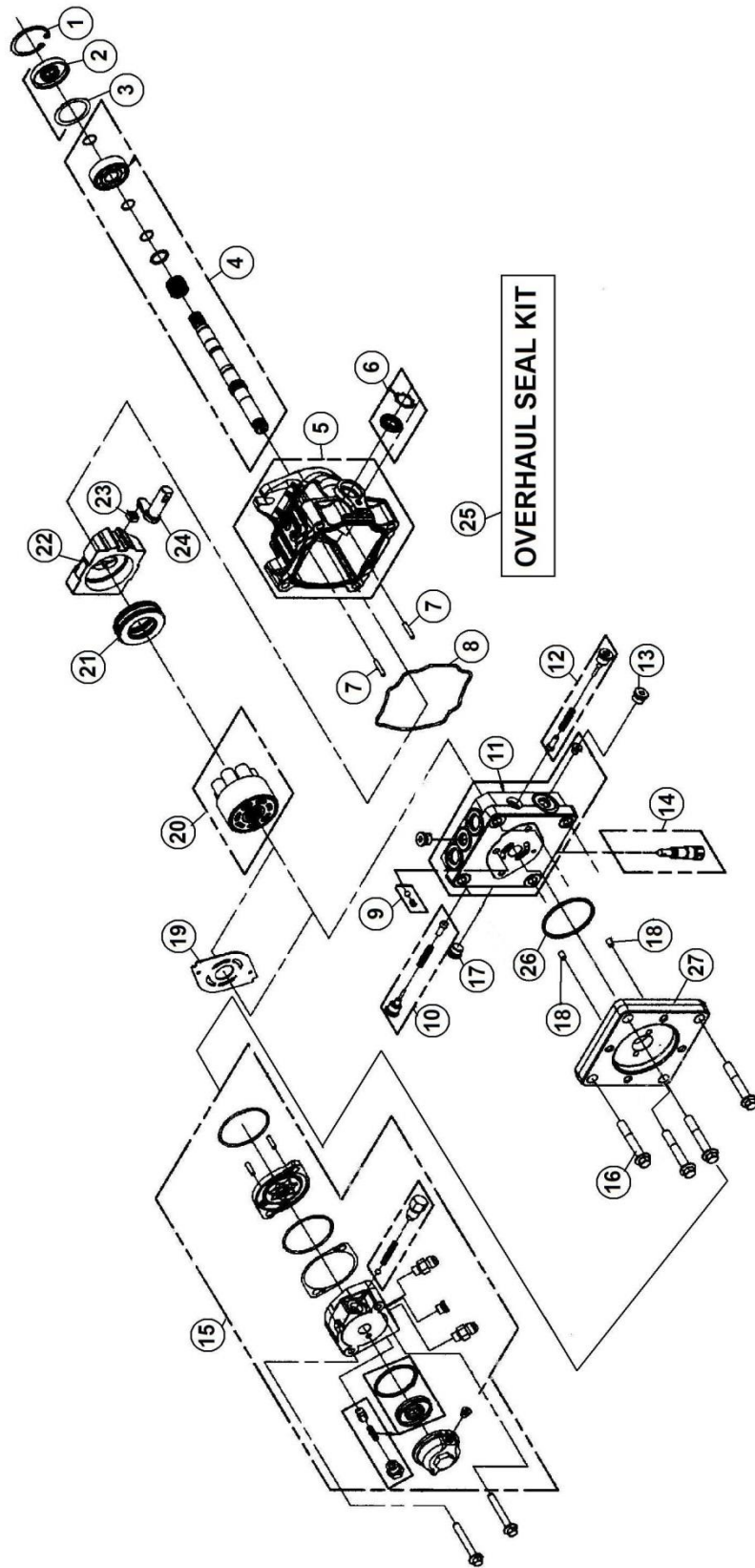
# HYDRAULIC PLUMBING DRAWING



## HYDRAULIC PLUMBING PARTS LIST

REF#	PART#	DESCRIPTION	QTY.
1	943-111	Oil Tank	1
2	750-830	Left Roller Housing	1
3	750-826	Right Roller Housing	1
4	750-302	Filter Head	1
5	750-801	Wheel Motor	2
6	750-846	16 cc w/Aux Charge Pump	1
7	750-326	Wheel Motor Fitting	4
8	750-325	Oil Filter Head Fitting	2
9	750-322	Pump Fitting	2
10	750-324	Pump Fitting Top	1
11	750-848	8 – 8 Straight Fitting	1
12	750-510-1	Hyd Hose 63" w/45 deg & Straight	1
13	750-502	Hard Line Clamp	2
14	750-310	Hydraulic Hose – Pump to Filter	1
15	750-511-1	Hydraulic Hose 60"	1
16	750-306	Hydraulic Hose – Oil Tank to Filter Head	1
17	750-305	Hydraulic Hose – Oil Tank to Pump	1
18	750-520	Hard Line Long Left Side	1
19	750-519	Hard Line Short Left Side	1
20	750-506	Hard Line Long Right Side	1
21	750-507	Hard Line Short Right Side	1
22	750-833	Hydraulic Hose	1
23	943-504	Hydraulic Cylinder	1
24	750-834	Hydraulic Fitting ¼" 45 degrees	2
25	750-835	Hydraulic Hose 65"	2
26	750-836	Hydraulic Hose 33 ½"	1
27	750-804	Power Steering Pump	1
28	750-837	Hydraulic Fitting	2
29	750-838	Hydraulic Fitting	4
30	750-839	Hydraulic Hose 65"	1
31	750-807	Power Steering Hose Kit	1
32	750-500	Roller Hose Kit	1
33	750-300	Oil Filter	1
34	750-512	Hydraulic Hose 51" w/straight both ends	1

# 750-846 PUMP DRAWING

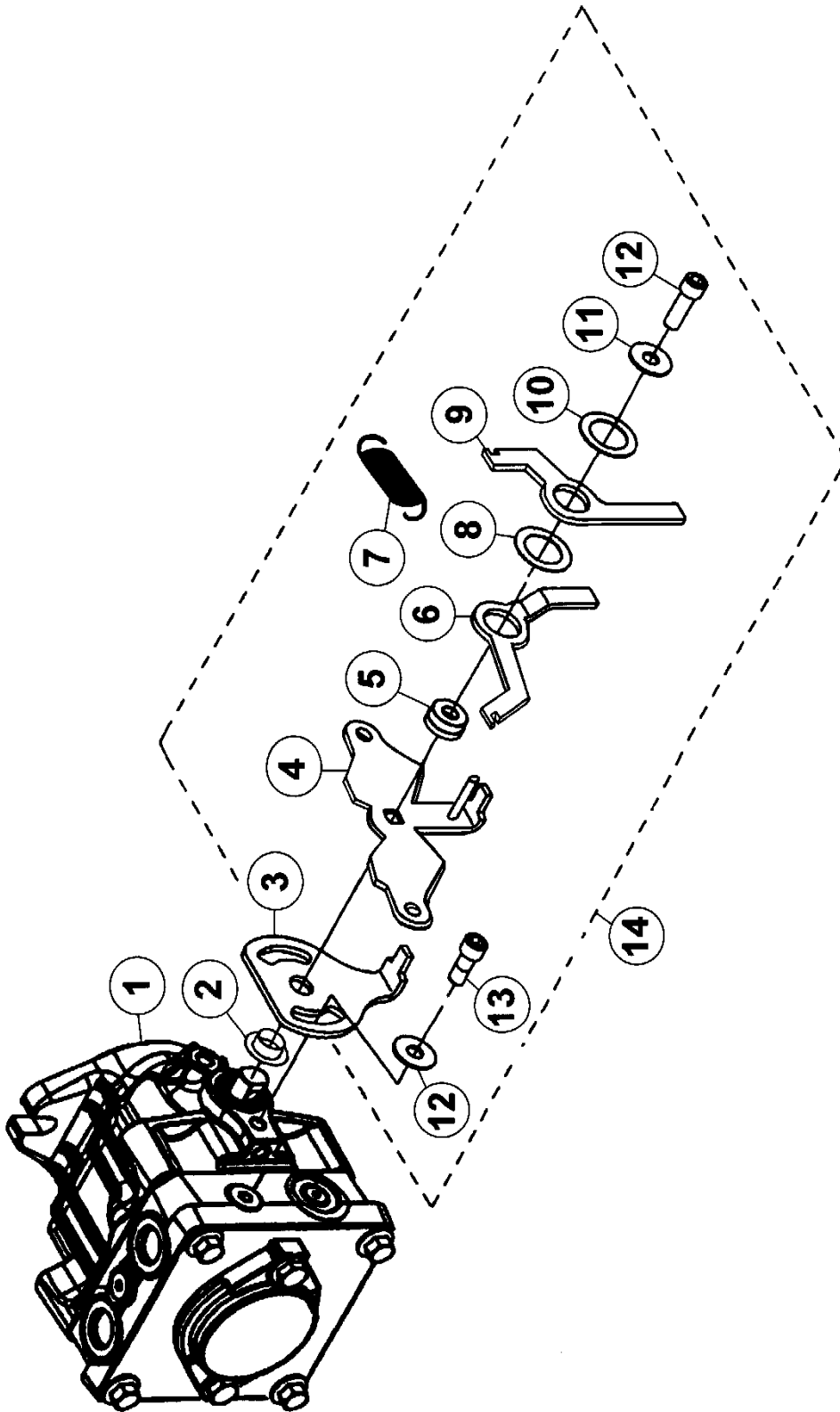


## 750-846 PUMP PARTS LIST

REF#	PART#	DESCRIPTION	QTY.
1	750-847-3	Retaining Ring	1
2	750-847-4	Lip Seal	1
3	750-847-5	Spacer	1
4	750-847-6	Shaft Kit	1
5	750-847-7	Housing	1
6	750-847-8	Trunnion Seal Kit	1
7	750-228-15	Pin	2
8	750-847-9	O-Ring	1
9	750-847-10	Charge Relief	1
10	750-847-11	Shock Valve Kit	1
11	750-847-12	End Cap	1
12	750-847-11	Shock Valve Kit	1
13	750-847-13	Plug	1
14	750-228-7	Bypass Kit	1
15	750-846-1	Charge Pump	1
16	750-846-2	Screw	4
17	750-847-13	Plug	1
18	758-846-3	Screw	2
19	750-847-17	Valve Plate	1
20	750-847-18	Cylinder Block	1
21	750-847-19	Thrust Bearing	1
22	750-847-20	Swash Plate	1
23	750-128-38	Slot Guide	1
24	750-847-21	Trunnion Arm	1
25	750-849	Seal Kit	1
26	750-846-4	O-Ring	1
27	750-846-5	Plate	1



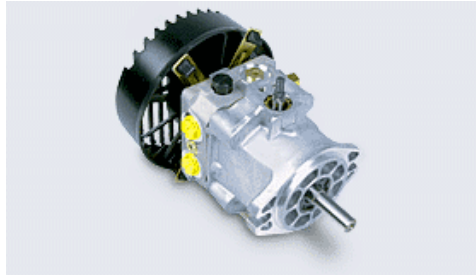
# PUMP LINKAGE DRAWING



## **PUMP LINKAGE PARTS LIST**

<b>REF.#</b>	<b>PART#</b>	<b>DESCRIPTION</b>	<b>QTY.</b>
1	750-846	16 CC w/Aux Charge Pump	1
2	750-228-30	Bushing	1
3	750-343-1	Shift Lever Top (New)	1
3	750-343	Shift Lever Top (Old)	1
4	750-344-1	Shift Lever Bottom (Sq. Hole .470)	1
4	750-344	Shift Lever Bottom (Sq. Hole .350)	1
5	750-228-31	Bushing	1
6	750-345	Shift lever Right	1
7	750-229-1	Spring	1
8	750-228-32	Washer	1
9	750-346	Shift Lever Left	1
10	750-228-33	Washer	1
11	750-228-34	5/16" Flat Washer	2
12	750-228-35	Allen Head Bolt	1
13	750-228-36	Allen Head Bolt	1
14	750-228-37	Parts Kit	1

# PERFORMANCE CHART

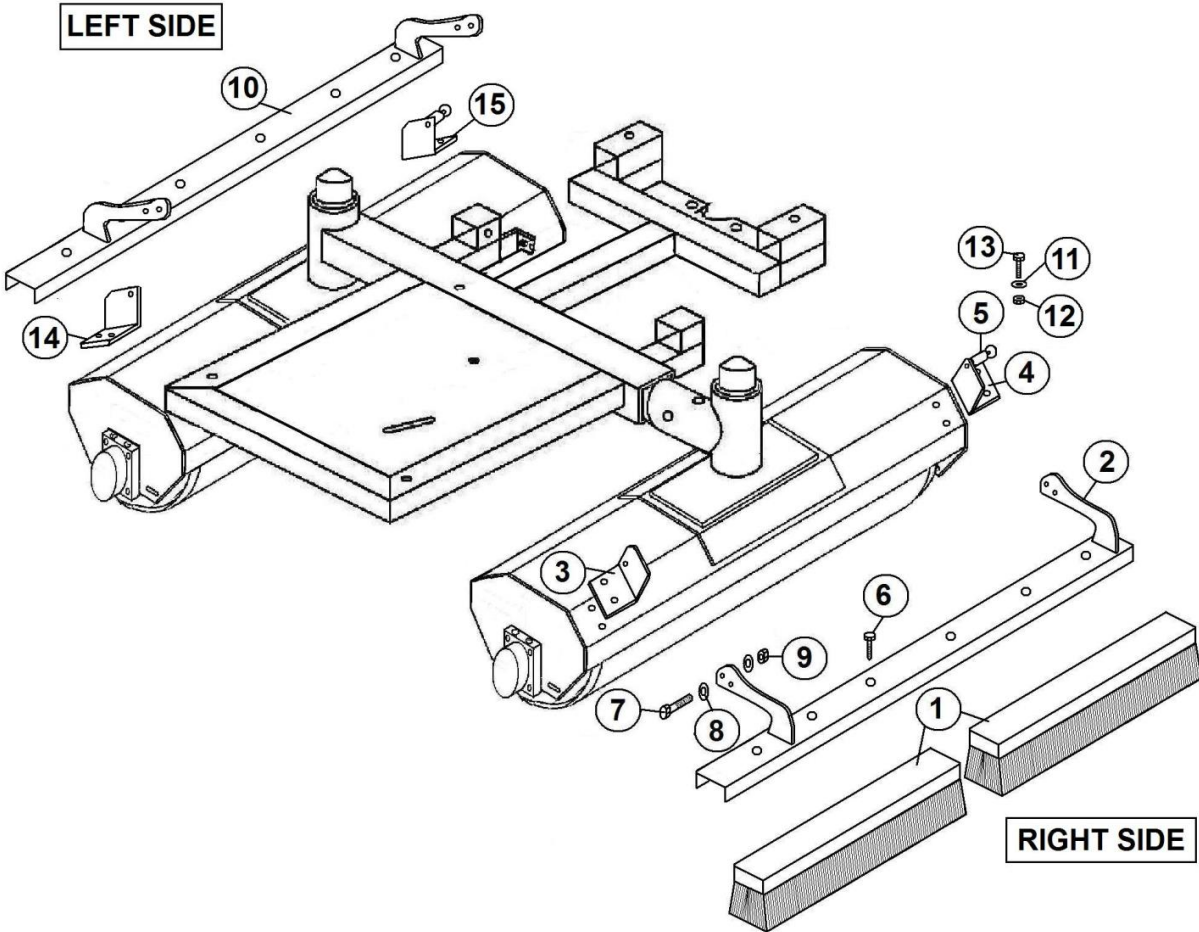


Product Type		PC	PG	PJ	PR	PW
<b>Displacement</b>	in <sup>3</sup> /rev [cc/rev]	0.37 [6.1]	0.62 [10.2]	0.73 [12]	0.97 [16]	1.33 [21.8]
<b>Input Speed</b>						
Maximum Unloaded	rpm	3600	3600	3600	3600	3600
Minimum Loaded	rpm	1800	1800	1800	1800	1800
<b>System Operating Pressure</b>						
Continuous	psi [bar]	750 [51]	1000 [70]	1000 [70]	1250 [86]	1250 [86]
Intermittent	psi [bar]	1750 [120]	2100 [145]	2100 [145]	2500 [172]	2500 [172]
Peak	psi [bar]	2500 [172]	3500 [240]	3500 [240]	3750 [260]	3750 [260]
<b>Pump Performance</b>						
@ 2400 rpm/1000 psi	gpm [l/min]	3.6 [13.6]	6.1 [23.1]	7.1 [26.8]	9.6 [36.3]	13.1 [49.6]
@ 3000 rpm/1000 psi	gpm [l/min]	4.5 [17.0]	7.6 [28.8]	8.9 [33.6]	12 [45.4]	16.4 [62.1]
@ 3600 rpm/1000 psi	gpm [l/min]	5.4 [20.4]	9.2 [34.8]	10.8 [40.8]	14.4 [54.5]	19.6 [74.2]
<b>Case Pressure</b>						
Maximum @ Cold Start	psi [bar]	10 [0.7]	10 [0.7]	10 [0.7]	25 [1.7]	25 [1.7]
Continuous - Max.	psi [bar]	4 [0.3]	4 [0.3]	4 [0.3]	10 [0.7]	10 [0.7]
<b>Inlet Vacuum</b>						
Maximum Continuous Inches Mercury		4	4	4	4	4
<b>Charge Pump Displacement(s)</b>	in <sup>3</sup> /rev [cc/rev]	.13 [2.1]	0.11/0.13 [1.9/2.1]	0.19 [3.2]	0.13/0.19 [2.1/3.2]	0.13/0.19 [2.1/3.2]
<b>Auxiliary Pump Displacement</b>	in <sup>3</sup> /rev [cc/rev]	0.19 [3.2]	0.19 [3.2]	0.19 [3.2]	0.19 [3.2]	0.19 [3.2]
<b>Auxiliary Pump Relief Setting</b>	psi [bar]	650 [45]	650 [45]	650 [45]	650 [45]	650 [45]
<b>Auxiliary Pump Performance</b>						
@3200 rpm, 500 psi, 70 SUS [13 Cst] oil, & 180°F	gpm [l/min]	1.8 - 2.0 [6.8 - 7.6]	1.8 - 2.0 [6.8 - 7.6]	1.8 - 2.0 [6.8 - 7.6]	1.8 - 2.0 [6.8 - 7.6]	1.8 - 2.0 [6.8 - 7.6]

**Control Torque Required  
to Stroke Pump**  
[Approximate - 20° External Stroke Angle]

	lb-in / 1000 psi [N-m / 70 bar]	75 [8.5]	85 [9.6]	85 [9.6]	95 [10.7]	105 [11.9]
	lb-in / 500 psi [N-m / 35 bar]	55 [6.2]	60 [6.8]	60 [6.8]	75 [8.5]	85 [9.6]
<b>Pump Oil Temperature</b>						
Maximum Intermittent (hottest point)	°F [°C]	230 [110]	230 [110]	230 [110]	230 [110]	230 [110]
Normal Operating Range	°F [°C]	-10 to 200 [-23 to 93]	-10 to 200 [-23 to 93]	-10 to 200 [-23 to 93]	-10 to 200 [-23 to 93]	-10 to 200 [-23 to 93]
<b>Fluid Viscosity Limits @ 230°F [110°C]</b>						
Optimum	SUS[cSt]	70 [13]	70 [13]	70 [13]	70 [13]	70 [13]
Minimum	SUS[cSt]	55 [9]	55 [9]	55 [9]	55 [9]	55 [9]
<b>Weight of Unit</b>						
	lbs [kg]	7 [3.2]	8 [3.6]	12.65 [5.7]	12 [5.4]	14 [6.3]
<b>Inlet Filtration Requirement</b>						
Nominal	micron	25	25	25	25	25

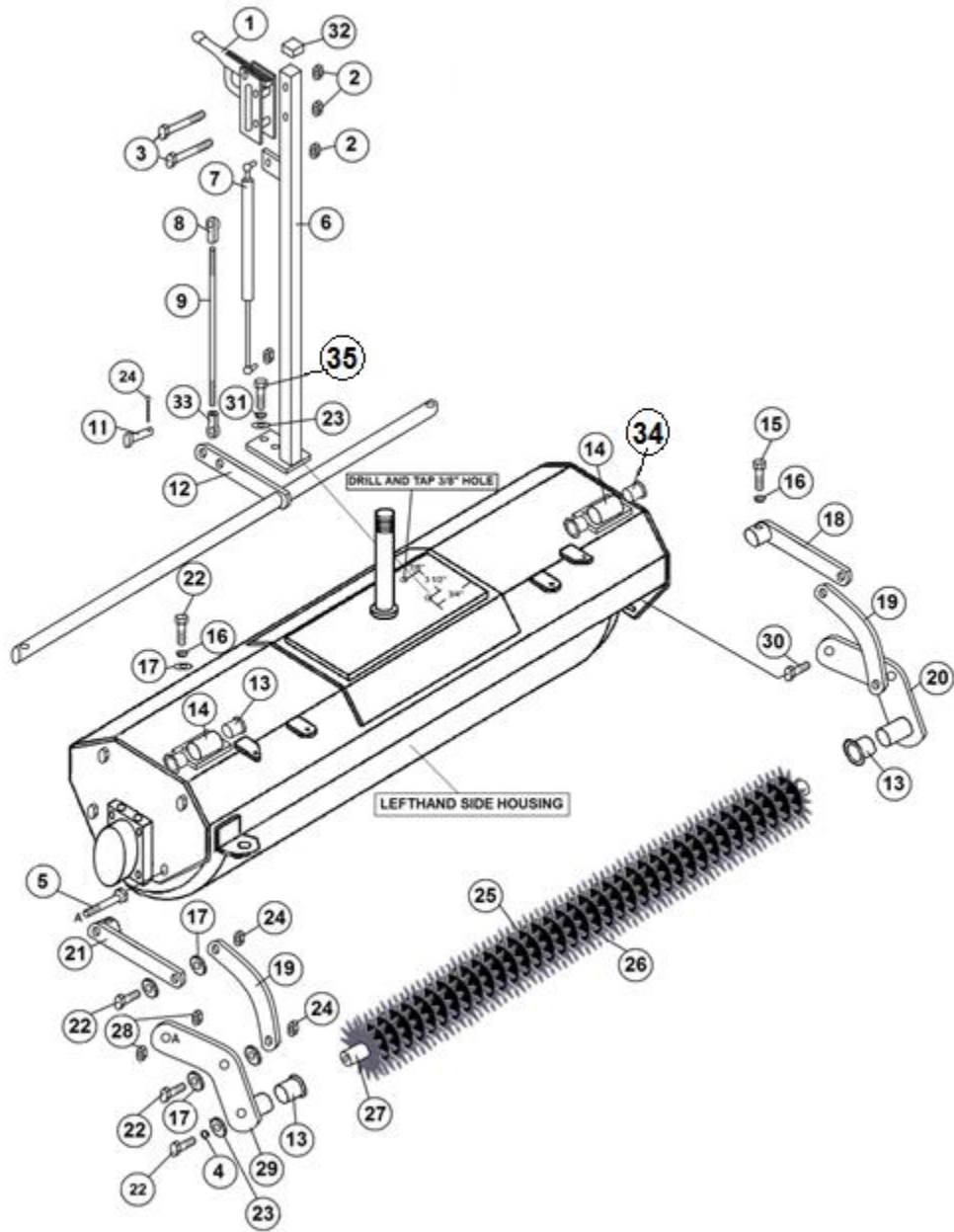
# 7514 BRUSH KIT DRAWING



## 7514 BRUSH KIT PARTS LIST

REF#	PART#	DESCRIPTION	QTY.
1	750-410	Roller Brush	4
2	750-856	Right Brush Bracket	1
3	750-857	Right Brush Bracket Mount	1
4	750-855	Right Brush Bracket Mount w/Ball	1
5	88-001	Ball Lock Pin	1
6	400-343	5/16" x 1" Lag Screw	12
7	400-027	1/2" x 1 1/2" Bolt	4
8	40-128-1	1/2" Machine Bushing	12
9	400-112	1/2" Lock Nut	4
10	750-900	Left Brush Bracket	1
11	400-201	1/4" Flat Washer	22
12	400-281	5/16" Flanged Locknut	12
13	400-002	5/16" x 1" HHCS	8
14	750-901	Left Brush Bracket Mount	1
15	750-902	Left Brush Bracket Mount w/Ball	1
NI	400-207	5/16" Lockwasher	8
NI	400-010	5/16" X 5" Bolt	4

# 7512 SPIKER KIT DRAWING

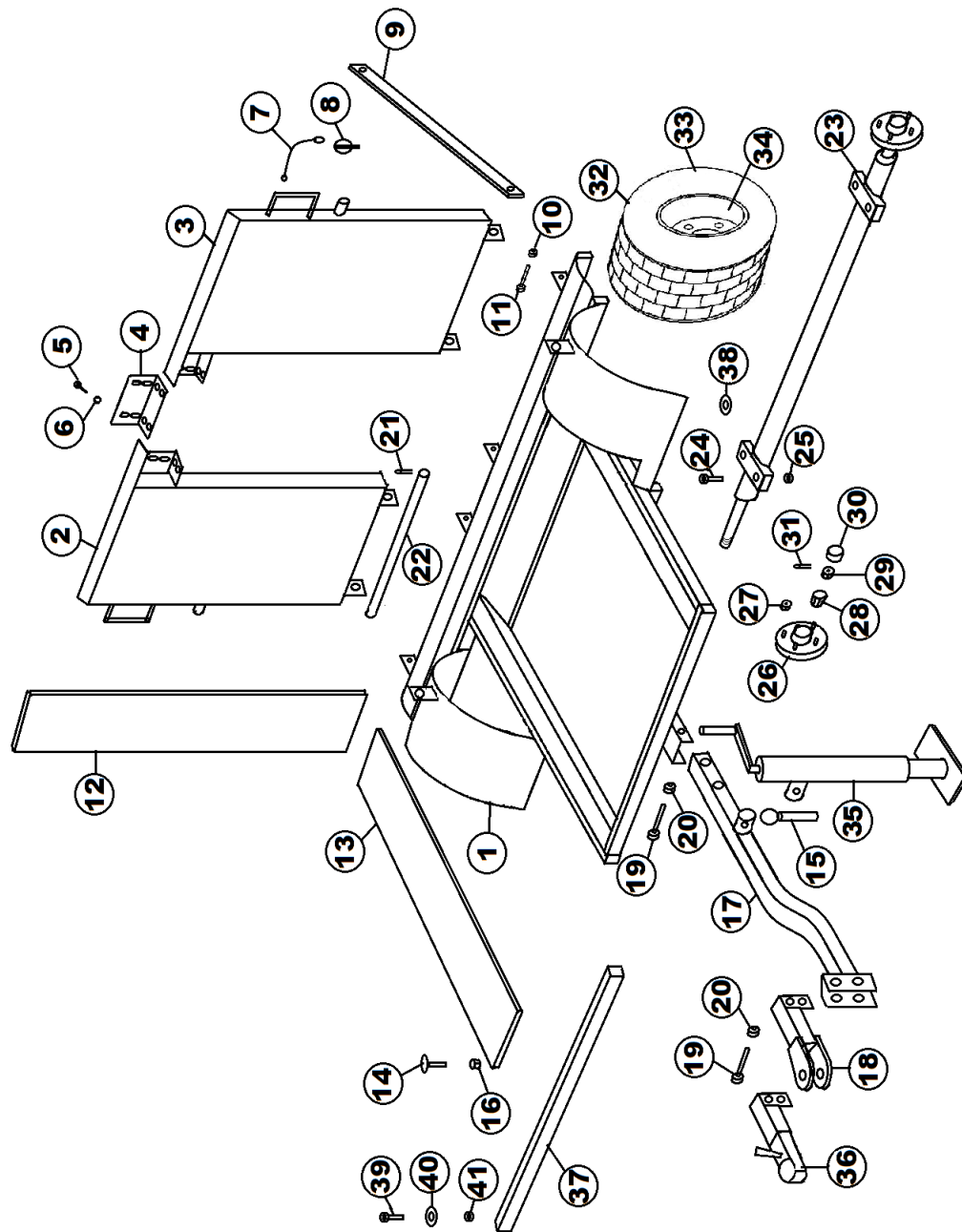


## 7512 SPIKER KIT PARTS LIST

REF#	PART#	DESCRIPTION	QTY.
1	44-763	Parking Brake Lever	1
2	400-281	5/16" Flange Lock Nut	5
3	400-008	5/16" – 18 x 2 1/2" HHCS	2
4	400-207	5/16" Lock Washer	8
5	400-015	3/8" x 1 1/2" HHCS	1
6	750-858	Brake Lever Bracket	1
7	750-859	Gas Shock	1
8	11-101-1	Linkage Yoke	1
9	750-860	Linkage Rod	1
10	720-079	3/32" x 3/4" Cotter Pin	1
11	400-003	5/16" – 18 x 1 1/4" HHCS	1
12	750-861	Lift Rod	1
13	2110	Bushing	2
14	750-862	Lift Rod Mounting Bracket	2
15	400-001	5/16" x 3/4" HHCS	2
16	400-207	5/16" Lock Washer	6
17	400-201	1/4" Flat Washer	14
18	750-863	Left Lift Lever	1
19	750-864	Connecting Lever	2
20	750-865	Left Spiker Mounting Bracket	1
21	750-866	Right Lift Lever	1
22	400-002	5/16" x 1" HHCS	12
23	400-202	5/16" Flat Washer	4
24	400-109	5/16" Lock nut	4
25	750-867	Rubber Spacer	69
26	750-844	3" Aerator Star Blades	36
27	750-868	Spiker Shaft	1
28	400-116	3/8" Locknut	4
29	750-870	Right Spiker Mounting Bracket	1
30	400-090	3/8" x 1 1/4" HHCS	1
31	400-209	3/8" Lock Washer	2
32	610-221	1" Sq Plastic Plug	1
33	44-967	5/16" Tie Rod End	1
34	520-007	Bronze Bushing	4
35	400-014	3/8" – 16 x 1" HHCS	2
NI	709-382	Grease Zerk	2



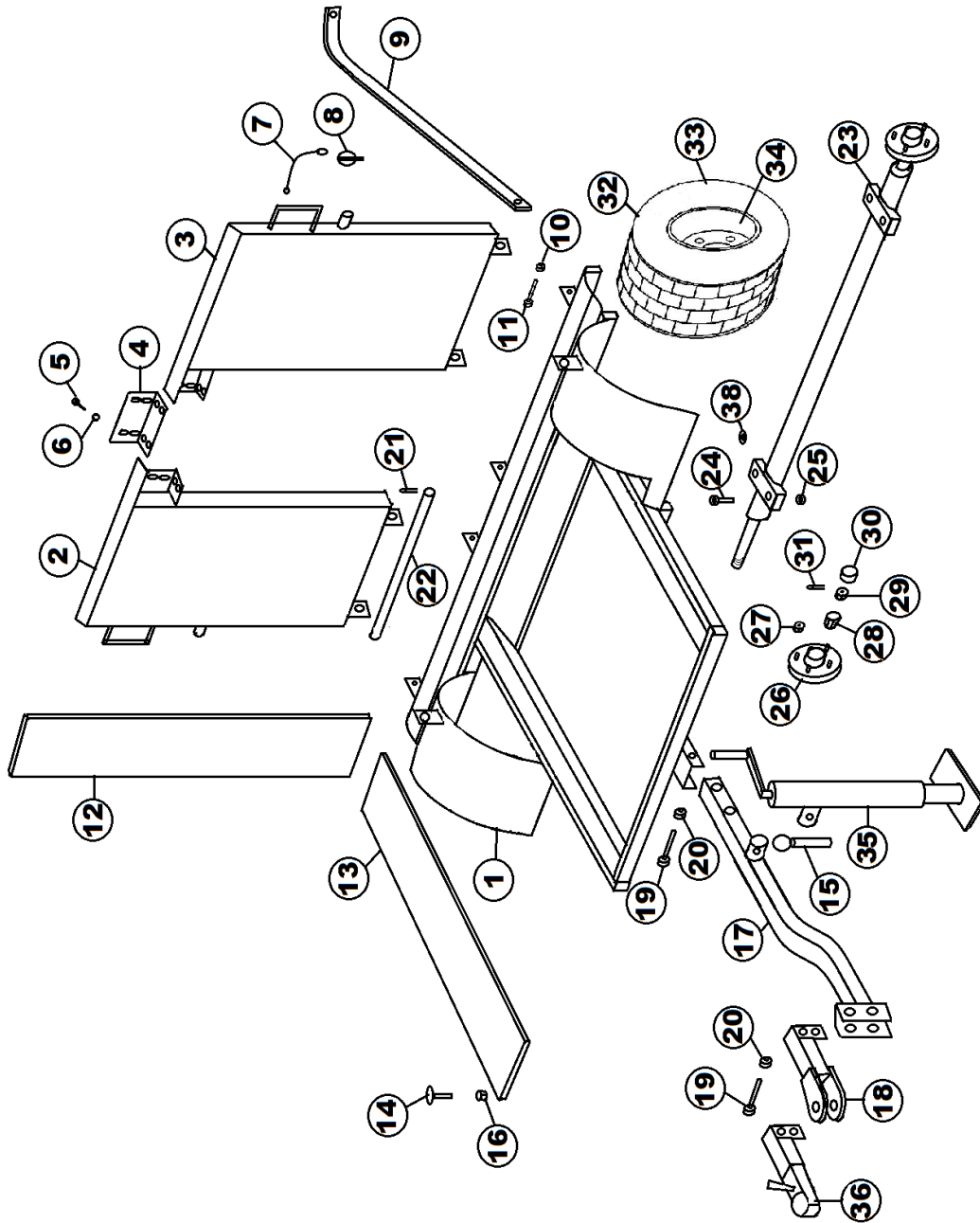
# 7520 TRAILER DRAWING



## 7520 TRAILER PARTS LIST

REF#	PART#	DESCRIPTION	QTY.
1	750-430	Trailer Bed	1
2	750-432	Right Side Ramp	1
3	750-431	Left Side Ramp	1
4	750-433	Ramp Plate	1
5	400-321	1/4" X 3/4" X 20 Truss Head Bolt	8
6	400-342	1/4" Flanged Locknut	8
7	750-422	3/64 x 6 Lanyard	2
8	750-421	Snap Pin 3/16 x 1 1/4"	2
9	750-441	Ramp Latch	2
10	400-112	1/2" - 13 Locknut	2
11	400-027	1/2" - 13 x 1 1/2" HHCS	2
12	750-164-7	Rubber Matting f/7520 Ramp 55" x 7"	4
13	750-438	Rubber Matting f/Bed 47" x 7"	2
14	400-255	Elevator Bolt	17
15	750-961-1	Jack Pin	1
16	400-281	5/16" Flanged Locknut	12
17	750-434	Drawbar	1
18	750-435	Drawbar Hitch	1
19	400-061	1/2" - 13 x 3 1/2" HHCS	4
20	400-112	1/2" - 13 Locknut	4
21	40-168	Cotter Pin 1/8 x 1"	4
22	750-436	Ramp Pin	2
23	750-960	Axle	1
24	400-015	3/8" - 16 x 1 1/2" HHCS	4
25	400-116	3/8" Locknut	4
26	2027-1	Hub Only	2
27	1187	Lug Nut	8
28	2028-1	Bearing	4
29	709-126	Spindle Nut	2
30	2024	Dust Cap	2
31	720-043	Cotter Pin	2
32	750-967	Wheel & Tire	2
33	750-967-1	Tire	2
34	2026	Wheel	2
35	750-961	Jackstand	1
36	750-435-1	Ball Hitch	1
37	750-440	Roller Stop	1
38	400-202	5/16" Flat Washer	8
39	400-014	3/8" - 16 x 1" HHCS	2
40	400-202	5/16" Flat Washer	4
41	400-116	3/8" Locknut	2

# 7525 TRAILER DRAWING F/7000 ROLLER



## 7525 TRAILER PARTS LIST F/7000 ROLLER

REF#	PART#	DESCRIPTION	QTY.
1	750-430	Trailer Bed	1
2	750-432	Right Side Ramp	1
3	750-431	Left Side Ramp	1
4	750-433	Ramp Plate	1
5	400-321	1/4" X 3/4" X 20 Truss Head Bolt	8
6	400-342	1/4" Flanged Locknut	8
7	750-422	3/64 x 6 Lanyard	2
8	750-421	Snap Pin 3/16 x 1 1/4"	2
9	750-441	Ramp Latch	2
10	400-112	1/2" – 13 Locknut	2
11	400-027	1/2" – 13 x 1 1/2" HHCS	2
12	750-164-7	Rubber Matting f/ Ramp 55" x 7"	4
13	750-438	Rubber Matting f/Bed 47" x 7"	2
14	400-255	Elevator Bolt	17
15	750-961-1	Jack Pin	1
16	400-281	5/16" Flanged Locknut	12
17	750-434	Drawbar	1
18	750-435	Drawbar Hitch	1
19	400-061	1/2" – 13 x 3 1/2" HHCS	4
20	400-112	1/2" – 13 Locknut	4
21	40-168	Cotter Pin 1/8 x 1"	4
22	750-436	Ramp Pin	2
23	750-960	Axle	1
24	400-015	3/8" – 16 x 1 1/2" HHCS	4
25	400-116	3/8" Locknut	6
26	2027-1	Hub Only	2
27	1187	Lug Nut	8
28	2028-1	Bearing	4
29	709-126	Spindle Nut	2
30	2024	Dust Cap	2
31	720-043	Cotter Pin	2
32	750-967	Wheel & Tire	2
33	750-967-1	Tire	2
34	2026	Wheel	2
35	750-961	Jackstand	1
36	750-435-1	Ball Hitch	1
38	400-202	5/16" Flat Washer	14

# The Smithco Commercial Products Two-Year Limited Warranty

Smithco, Inc. (Smithco) warrants your 2016 or newer Smithco Commercial Product (“Product”) purchased after October 1, 2016 to be free from defects in materials or workmanship for the period of time listed below. Where a warrantable condition exists, Smithco will repair the Product at no cost to you including diagnosis, labor (at the Smithco standard labor rate, subject to the Smithco flat rate schedule), and parts.

## Warranty Duration Is:

1. Two years, 1500 operational hours\* from the date of delivery to the original purchaser or five years from the date of original manufacturer of the product, whichever occurs first. (\*Products equipped with hour meter).
2. Products used in rental situations are covered for 90 days from date of delivery to original user/renter.

## Owner responsibilities:

As the Product owner, you are responsible for required maintenance and adjustments stated in your Owner’s Manual. Failure to perform required maintenance and adjustments can be grounds for disallowing a warranty claim. **You are particularly responsible to train all present and future operators of this product on the safe operation of this product at your location.**

## Instructions for Obtaining Warranty Service:

You are responsible for notifying the Authorized Smithco Products Distributor from whom you purchased the Product as soon as you believe a warrantable condition exists and not later than 30 days from discovery of the condition.

If you need help locating an Authorized Smithco Distributor, or if you have questions regarding your warranty rights or responsibilities, you may contact us at:

Smithco Product Support Department  
Highway SS @ Poplar St.  
Cameron, Wisconsin 54822  
Telephone: 715-458-4192 E-Mail: [ProductSupport@Smithco.com](mailto:ProductSupport@Smithco.com)

## Maintenance Parts:

Parts scheduled for replacement as required maintenance (“Maintenance Parts”), are warranted for the period of time up to the scheduled replacement time for that part.

## Items/Conditions Not Covered:

Not all product failures or malfunctions that occur during the warranty period are defects in materials or workmanship. The items/conditions listed below are not covered by this warranty.



Product failures which result from the use of non-Smithco replacement parts, or from installation and use of add-on, modified, or unapproved accessories are not covered.



Product failures which result from failure to perform required maintenance and/or adjustments are not covered.



Product failures that result from operating the Product in an abusive, negligent or reckless manner are not covered.



This warranty does not apply to parts subject to consumption through use, unless found to be defective. Examples of parts which are consumed, or used up during normal Product operation include, but are not limited to: blades, tines, teeth, scarifiers, rakes, plates, wear plates, castor wheels, tires, batteries, filters, belts, nozzles, etc.



This warranty does not apply to failures caused by outside influence. Items considered to be outside influence include, but are not limited to, weather, storage practices, contamination, use of unapproved coolants, lubricants, additives, or chemicals, etc.



This warranty does not apply to normal "wear and tear" items. Normal "Wear and Tear" includes, but is not limited to, damage to seats due to wear or abrasion, worn painted surfaces, scratched decals or windows, etc.



Smithco may require the return of failed parts or components in order determine the validity of any warranty claim.



Smithco will not be obligated to replace components of other manufacturers if inspection by the original component manufacturer indicates that failure was due to normal wear and tear, expected consumption through use or improper care or service.

#### **Other Legal Disclaimers:**

The above remedy for product defects through repair or replacement by an authorized Smithco distributor or dealer is the purchaser's sole remedy for any defect. This warranty gives you specific legal rights, and you may also have other rights which vary from state to state.

**THERE ARE NO OTHER EXPRESS WARRANTIES OTHER THAN THOSE SET FORTH ABOVE. ALL IMPLIED WARRANTIES OF MERCHANTABILITY AND FITNESS FOR USE ARE LIMITED TO THE DURATION OF THE LIMITED WARRANTIES CONTAINED HEREIN.**

Some States may not allow limitations on how long an implied warranty lasts, so the above limitation may not apply to you.

**THE SMITHCO COMPANY IS NOT LIABLE FOR INDIRECT, INCIDENTAL OR CONSEQUENTIAL DAMAGES IN CONNECTION WITH THE USE OF THE PRODUCT, INCLUDING ANY COST OR EXPENSE OF PROVIDING A SUBSTITUTE PRODUCT OR SERVICE DURING PERIODS OF MALFUNCTION OR NON-USE.**

Some states may not allow the exclusion of indirect, incidental or consequential damages, so the above exclusion may not apply to you.

**Smithco neither assumes, nor authorizes any person to assume for it, any other liability in connection with the sale or use of this product.**

**SMITHCO, INC.  
WANYE, PA 19087**

