



Owner's Manual

Wayne, PA 19087

www.smithco.com

MOW-N-GO MANUAL

3404 & 3405

July, 2013

Product Support: 1020 Hwy 224; Humboldt, KS 66748

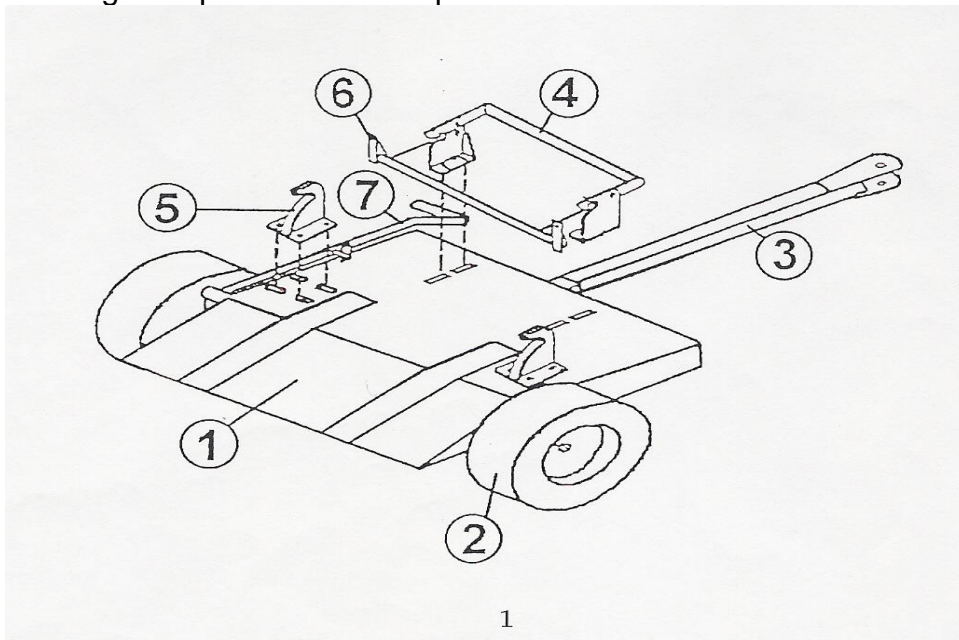
1-888-422-5173 lj@smithco.com

TABLE OF CONTENTS

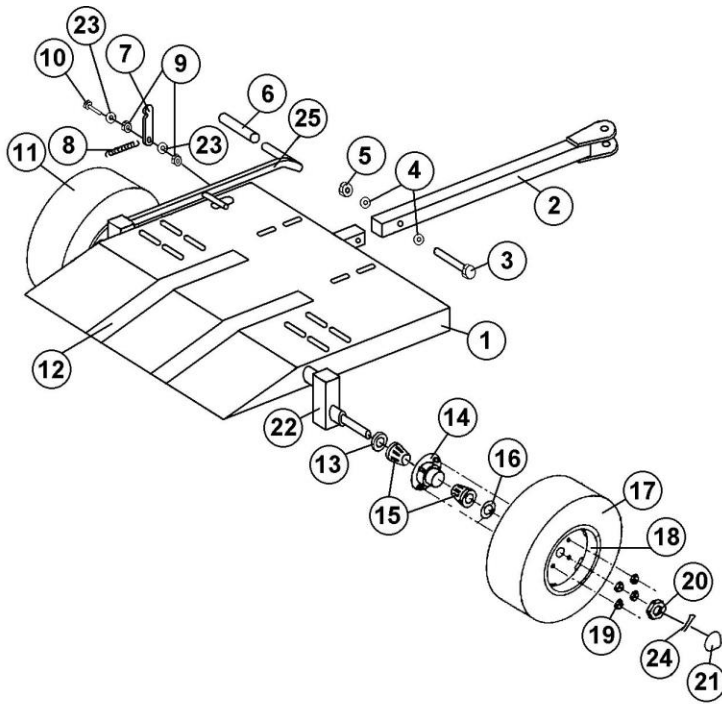
Title	Page
3404 Assembly Instructions	3
3404 Trailer Drawing	4
3404 Parts List	5
3405 Assembly Instructions	6
3405 Drawing	7
3405 Parts List	8
341-002 – 341-006 Mounting Kits	9
341-008 – 341-012 Mounting Kits	10
341-014 – 341-018 Mounting Kits	11
341-040 – 341-042 Mounting Kits	12
341-044 – 341-048 Mounting Kits	13
341-050 - 341-054 Mounting Kits	14
341-056 - 341-060 Mounting Kits	15
341-062 – 341-066 Mounting Kits	16
341-068 – 341-070 Mounting Kits	17

ASSEMBLY INSTRUCTIONS FOR 3404

1. Place Deck Plate (Ref. #1) on solid surface.
2. Install wheel and tire on axle (Hub Ref.#2) and secure with lug nuts.
3. Drawbar (Ref.#3) can be secure by using $\frac{1}{2}$ " or $2 \frac{1}{2}$ " bolts.
4. You will now need one of the Mounting Kits 341-002 – 341-052.
5. Using (4) of the $\frac{3}{8}$ " x 1" bolts in the mounting kit, fasten Foot Bar to Deck Plate, with Foot Bar facing Drawbar. Leave nuts finger tight only, as this piece may need to be adjusted.
6. Next install Axle Stops (Ref. #5) left and right using the remaining (8) bolts in mounting kits with hooks opening to the back of the trailer. Leave nuts finger tight only until final adjustments are made.
7. Install Latch Bar (Ref. #6) on Greensmower. The Latch Bar location will be at the base of the handle bar on mower. To install, remove the two bolts that hold the handle bar on and place Latch Bar at the same location and replace the two bolts and tighten. **REMOVE TIRES FROM MOWER.**
8. Hook Drawbar to truckster after the trailer is assembled. Lower trailer down with transport handle (Ref #7). **CAUTION: KEEP A TIGHT GRIP ON HANDLE WHEN RAISING OR LOWERING IT, YOU MAY LOSE CONTROL OF THE HANDLE.**
9. Pull mower onto trailer with handle bar facing Drawbar so that axles on mower will slide into Axle Stops. Secure Latch Bar to Foot Bar when mower is in place. Tighten bolts and nuts on Latch Bar and Axle Stops securely. Be sure mower bedknife and roller are off of the trailer bed. If they are contacting bed, loosen bolts on latch bar (Ref. #6) and press down on handle until mower is in Axle Stops. Retighten bolts.
10. To remove mower from trailer, place foot on Foot Bracket and press down and push mower off trailer. To load, pull mower onto trailer so axles will slide into Axle Stop and Latch Bar will slide into Latch Brackets. **NOTE: LATCH BAR WILL LATCH WITHOUT FOOT ON FOOT BRACKET.** Mower is now secure to transport.
11. Raise trailer using transport arm to transport mower.



3404 TRAILER DRAWING

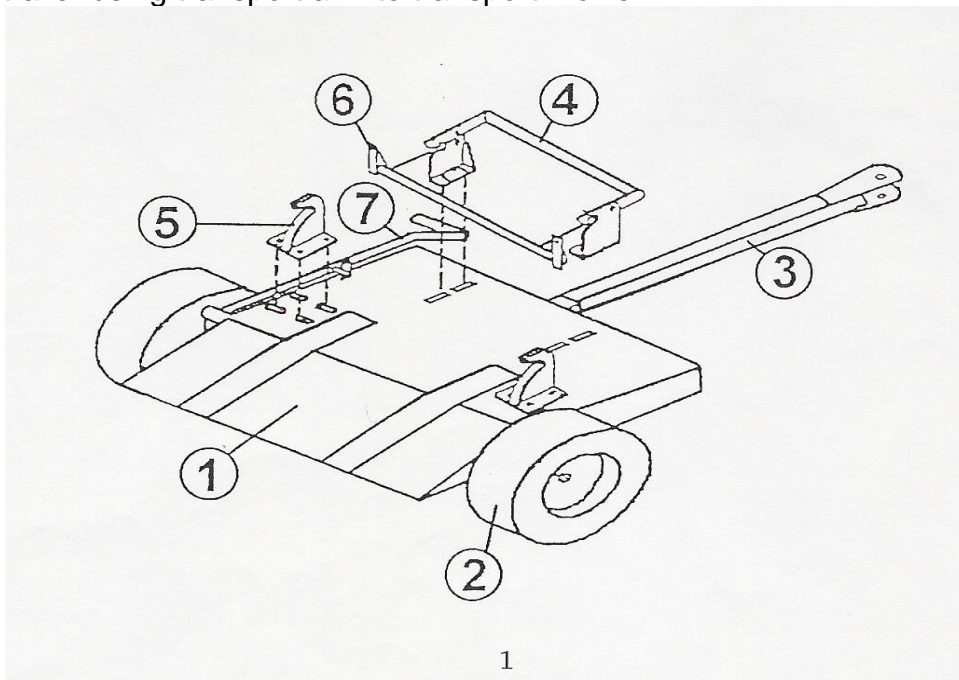


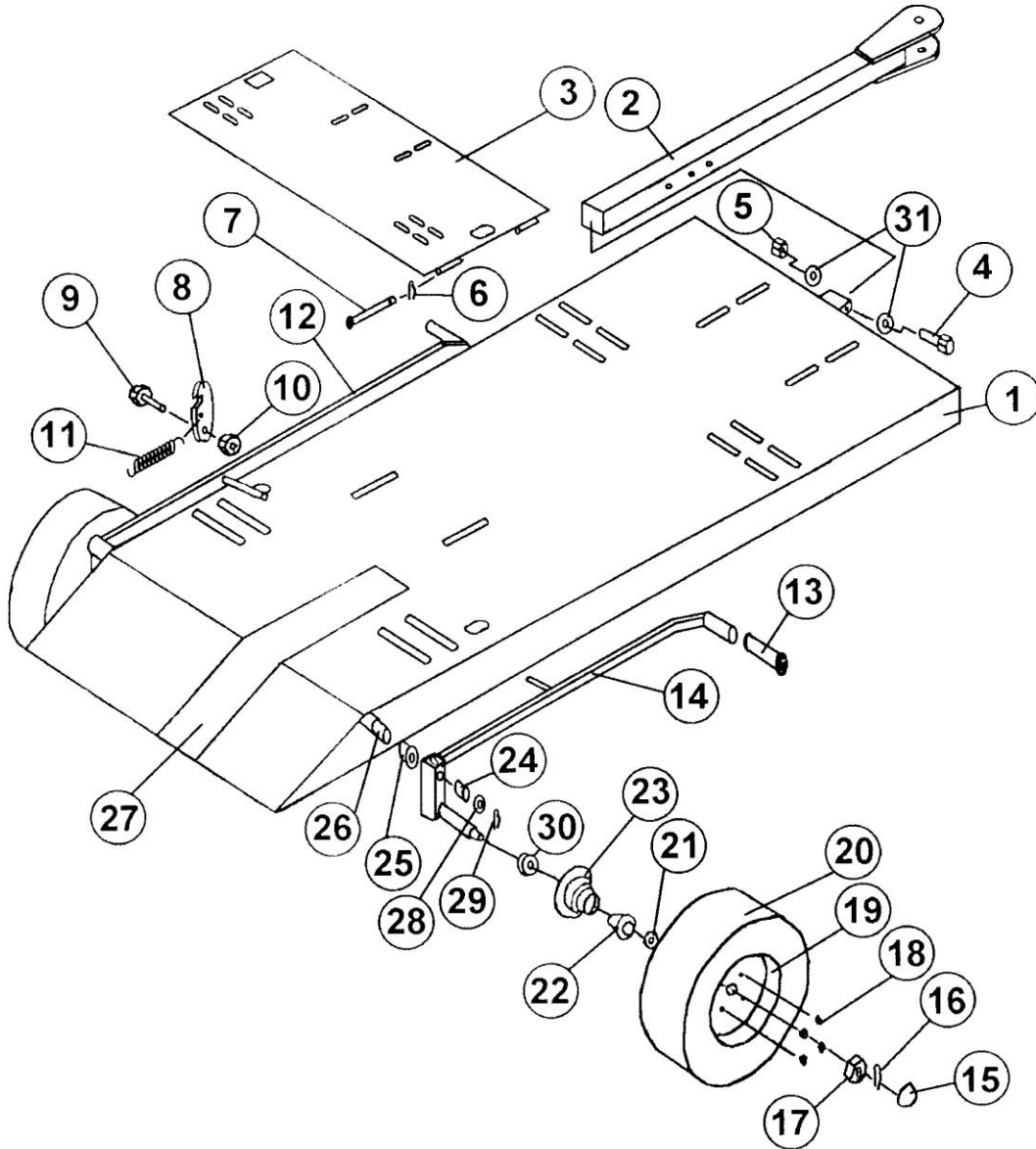
3404 PARTS LIST

REF.#	PART#	DESCRIPTION	QTY.
1	610-370-1	Deck Plate	1
2	610-341	Drawbar	1
3	400-029	½" – 13 x 3" HHCS Znc	1
4	400-204	½" Flat Washer	2
5	400-112	½" – 13 Locknut 2-Way Znc	1
6	720-011	Vinyl Grip	1
7	720-049	Latch	1
8	720-014	Spring 7/16" x 2" x .046 Music Wire	1
9	400-109	5/16" – 18 Locknut 2-Way Znc	4
10	400-003	5/16" – 18 x 1 ¼" HHCS Znc	1
11	2774	Tire & Wheel	2
12	610-360	Rubber Matting 3" X 18"	2
13	709-171	Seal	2
14	2027-1	Hub Only	2
15	2028	Tapered Bearing	4
16	2013	Spindle Washer	2
17	2780	Tire 16 – 6.50 – 8	2
18	2775	Wheel	2
19	1187	Lug Nuts	8
20	709-126	Spindle Nut	2
21	2024	Grease Cap	2
22	610-384-1	Replacement Axle Assembly	1
23	400-201	¼" Flat Washer	7
24	709-143	Cotter Pin	2
25	610-432	Handle Assembly	1

ASSEMBLY INSTRUCTIONS FOR 3405

1. Place Deck Plate (Ref. #1) on solid surface.
2. Install wheel and tire on axle (Hub Ref.#2) and secure with lug nuts.
3. Drawbar (Ref.#3) can be secure by using $\frac{1}{2}$ " or $2 \frac{1}{2}$ " bolts.
4. You will now need one of the Mounting Kits 341-002 – 341-052.
5. Using (4) of the $\frac{3}{8}$ " x 1" bolts in the mounting kit, fasten Foot Bar to Deck Plate, with Foot Bar facing Drawbar. Leave nuts finger tight only, as this piece may need to be adjusted.
6. Next install Axle Stops (Ref. #5) left and right using the remaining (8) bolts in mounting kits with hooks opening to the back of the trailer. Leave nuts finger tight only until final adjustments are made.
7. Install Latch Bar (Ref. #6) on Greensmower. The Latch Bar location will be at the base of the handle bar on mower. To install, remove the two bolts that hold the handle bar on and place Latch Bar at the same location and replace the two bolts and tighten.
REMOVE TIRES FROM MOWER.
8. Hook Drawbar to truckster after the trailer is assembled. Lower trailer down with transport handle (Ref #7). **CAUTION: KEEP A TIGHT GRIP ON HANDLE WHEN RAISING OR LOWERING IT, YOU MAY LOSE CONTROL OF THE HANDLE.**
9. Pull mower onto trailer with handle bar facing Drawbar so that axles on mower will slide into Axle Stops. Secure Latch Bar to Foot Bar when mower is in place. Tighten bolts and nuts on Latch Bar and Axle Stops securely. Be sure mower bedknife and roller are off of the trailer bed. If they are contacting bed, loosen bolts on latch bar (Ref. #6) and press down on handle until mower is in Axle Stops. Retighten bolts.
10. To remove mower from trailer, place foot on Foot Bracket and press down and push mower off trailer. To load, pull mower onto trailer so axles will slide into Axle Stop and Latch Bar will slide into Latch Brackets. **NOTE: LATCH BAR WILL LATCH WITHOUT FOOT ON FOOT BRACKET.** Mower is now secure to transport.
11. Raise trailer using transport arm to transport mower.





3405 PARTS LIST

Ref #	Part #	Description	Qty
1	610-329	Deck Plate	1
2	610-333	Draw Bar	1
3	610-330	Mower Plate	1
4	400-029	½" – 13 x 3" Bolt	1
5	400-112	½" – 13 Locknut 2-Way	1
6	40-168	Cotter Pin 1/8" x 1"	2
7	2012	3/8" x 3 ½" Clevis Pin	2
8	720-049	Latch	1
9	400-003	5/16" – 18 x 1 ¼" Bolt	2
10	400-109	5/16" Locknut 2-Way	4
11	720-014	7/16" x 2" Spring	2
12	610-332	Axle Left	1
13	720-011	Vinyl Grip	2
14	610-331	Axle Right	1
15	2024	Grease Cap	2
16	709-143-1	Cotter Pin 1/8" x 2 ½"	2
17	709-126	Spindle Nut	2
18	1187	Lug Nut	8
19	2775	Wheel	2
20	2780	Tire	2
21	2013	Spindle Washer	2
22	2028	Tapered Bearing	4
23	2027-1	Hub Only	2
24	713-218	Bronze Bushing	4
25	720-064	Bronze Bushing	2
26	610-334	Axle Shaft	1
27	610-360-1	Rubber Matting 3" x 63"	2
28	713-368	Machine Bushing 1"	4
29	720-043	Cotter Pin 1/8" x 1 ½"	2
30	709-171	Hub Seal	2
31	400-204	½" Flat Washer	2

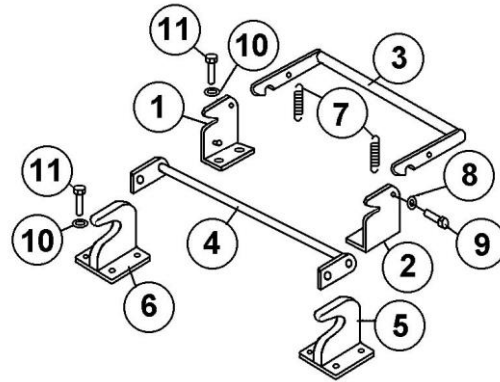
Note: If needing tire and wheel, order part # 2774.

If needing the complete hub assembly, order part# 2027.

TRAILER MOUNTING KITS

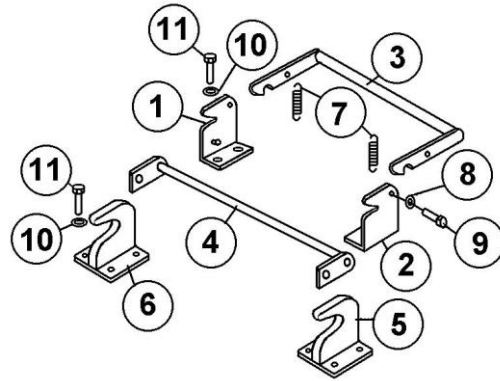
341-002 (Jac. Greens King (422 & 522) Orange

Ref#	Part#	Description	Qty
1	610-344	Latch Bracket Left	1
2	610-345	Latch Bracket Right	1
3	610-346	Foot Bracket	1
4	610-349	Latch Bar	1
5	610-350	Axle Stop Right	1
6	610-351	Axle Stop Left	1
7	40-199	Spring	2
8	400-201	1/4" Flat Washer	6
9	400-002	5/16" x 1" Bolt	2
10	400-202-1	5/16" Flat Washer	24
11	400-090-1	3/8" x 1 1/4" Bolt	12
NI	400-109	5/16" Locknut	2
NI	400-116	3/8" Locknut	12



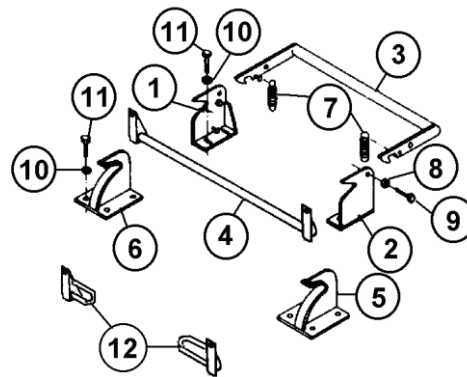
341-004 (Toro Greensmaster 1000) Red

Ref#	Part#	Description	Qty
1	610-344	Latch Bracket Left	1
2	610-345	Latch Bracket Right	1
3	610-346	Foot Bracket	1
4	610-355	Latch Bar	1
5	610-357	Axle Stop Right	1
6	610-356	Axle Stop Left	1
7	40-199	Spring	2
8	400-201	1/4" Flat Washer	6
9	400-002	5/16" x 1" Bolt	2
10	400-202-1	5/16" Flat Washer	24
11	400-090-1	3/8" x 1 1/4" Bolt	12
NI	400-109	5/16" Locknut	2
NI	400-116	3/8" Locknut	12



341-006 (Jac. 22" PGM) Black

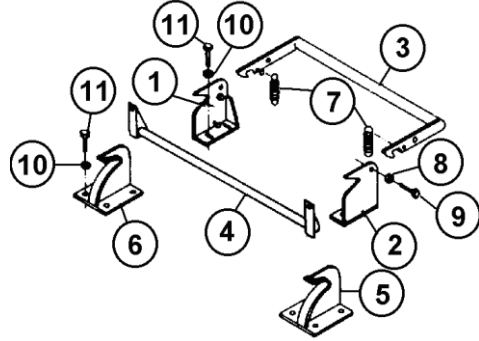
Ref#	Part#	Description	Qty
1	610-344	Latch Bracket Left	1
2	610-345	Latch Bracket Right	1
3	610-346	Foot Bracket	1
4	610-352	Latch Bar	1
5	610-354	Axle Stop Right	1
6	610-353	Axle Stop Left	1
7	40-199	Spring	2
8	400-201	1/4" Flat Washer	6
9	400-002	5/16" x 1" Bolt	2
10	400-202-1	5/16" Flat Washer	24
11	400-090-1	3/8" x 1 1/4" Bolt	12
NI	400-109	5/16" Locknut	2
NI	400-116	3/8" Locknut	12



TRAILER MOUNTING KITS

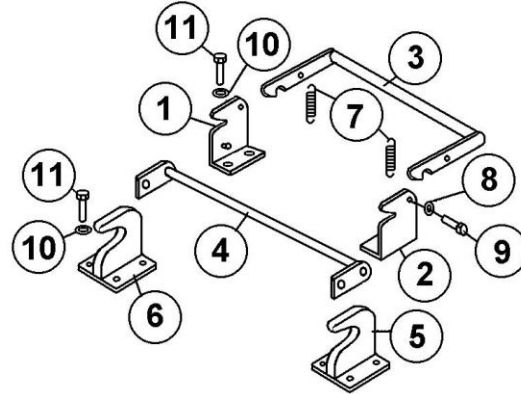
341-008 (John Deere 22) Dark Green

Ref#	Part#	Description	Qty
1	610-344	Latch Bracket Left	1
2	610-345	Latch Bracket Right	1
3	610-346	Foot Bracket	1
4	610-358	Latch Bar	1
5	610-348	Axle Stop Right	1
6	610-347	Axle Stop Left	1
7	40-199	Spring	2
8	400-201	1/4" Flat Washer	6
9	400-002	5/16" x 1" Bolt	2
10	400-202-1	5/16" Flat Washer	24
11	400-090-1	3/8" x 1 1/4" Bolt	12
NI	400-109	5/16" Locknut	2
NI	400-116	3/8" Locknut	12



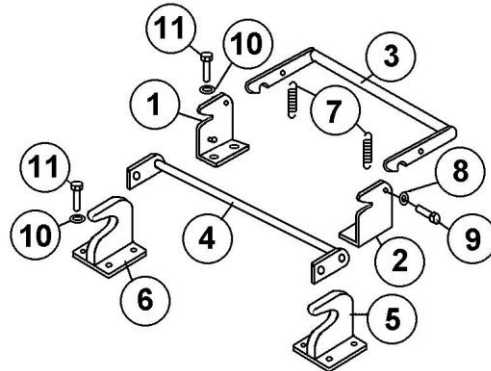
341-010 (Toro 1000 with 1" Shaft) Silver

Ref#	Part#	Description	Qty
1	610-344	Latch Bracket Left	1
2	610-345	Latch Bracket Right	1
3	610-346	Foot Bracket	1
4	610-355	Latch Bar	1
5	610-367	Axle Stop Right	1
6	610-368	Axle Stop Left	1
7	40-199	Spring	2
8	400-201	1/4" Flat Washer	6
9	400-002	5/16" x 1" Bolt	2
10	400-202-1	5/16" Flat Washer	24
11	400-090-1	3/8" x 1 1/4" Bolt	12
NI	400-109	5/16" Locknut	2
NI	400-116	3/8" Locknut	12



341-012 (Jac. 518) Light Green

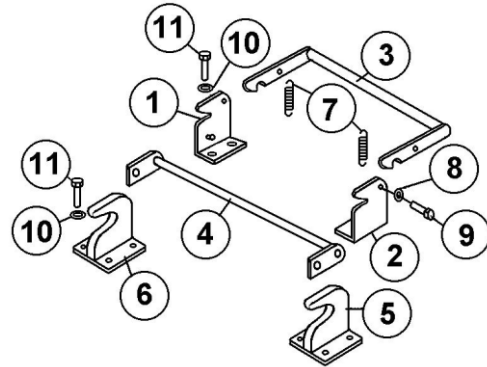
Ref#	Part#	Description	Qty
1	610-344	Latch Bracket Left	1
2	610-345	Latch Bracket Right	1
3	610-346	Foot Bracket	1
4	610-363	Latch Bar	1
5	610-350	Axle Stop Right	1
6	610-351	Axle Stop Left	1
7	40-199	Spring	2
8	400-201	1/4" Flat Washer	6
9	400-002	5/16" x 1" Bolt	2
10	400-202-1	5/16" Flat Washer	24
11	400-090-1	3/8" x 1 1/4" Bolt	12
NI	400-109	5/16" Locknut	2
NI	400-116	3/8" Locknut	12



TRAILER MOUNTING KITS

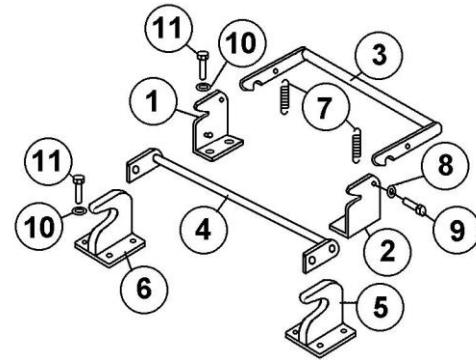
341-014 (Jac. 526) Black

Ref#	Part#	Description	Qty
1	610-344	Latch Bracket Left	1
2	610-345	Latch Bracket Right	1
3	610-346	Foot Bracket	1
4	610-364	Latch Bar	1
5	610-365	Axle Stop Right	1
6	610-366	Axle Stop Left	1
7	40-199	Spring	2
8	400-201	1/4" Flat Washer	6
9	400-002	5/16" x 1" Bolt	2
10	400-202-1	5/16" Flat Washer	24
11	400-090-1	3/8" x 1 1/4" Bolt	12
NI	400-109	5/16" Locknut	2
NI	400-116	3/8" Locknut	12



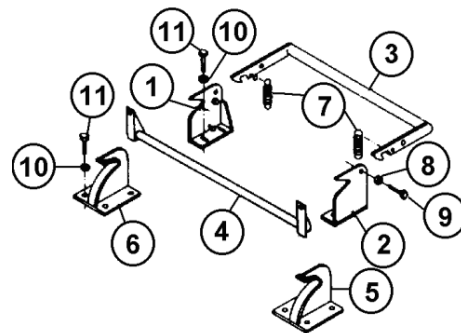
341-016 (Toro 26") Red

Ref#	Part#	Description	Qty
1	610-344	Latch Bracket Left	1
2	610-345	Latch Bracket Right	1
3	610-346	Foot Bracket	1
4	610-364	Latch Bar	1
5	610-367	Axle Stop Right	1
6	610-368	Axle Stop Left	1
7	40-199	Spring	2
8	400-201	1/4" Flat Washer	6
9	400-002	5/16" x 1" Bolt	2
10	400-202-1	5/16" Flat Washer	24
11	400-090-1	3/8" x 1 1/4" Bolt	12
NI	400-109	5/16" Locknut	2
NI	400-116	3/8" Locknut	12



341-018 (Jac. 62268 & 62280) Black

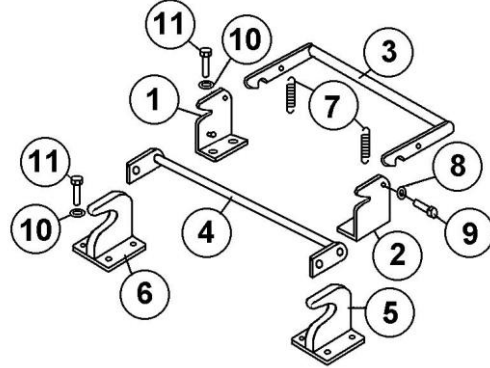
Ref#	Part#	Description	Qty
1	610-344	Latch Bracket Left	1
2	610-345	Latch Bracket Right	1
3	610-346	Foot Bracket	1
4	610-352	Latch Bar	1
5	610-362	Axle Stop Right	1
6	610-361	Axle Stop Left	1
7	40-199	Spring	2
8	400-201	1/4" Flat Washer	6
9	400-002	5/16" x 1" Bolt	2
10	400-202-1	5/16" Flat Washer	24
11	400-090-1	3/8" x 1 1/4" Bolt	12
NI	400-109	5/16" Locknut	2
NI	400-116	3/8" Locknut	12



TRAILER MOUNTING KITS

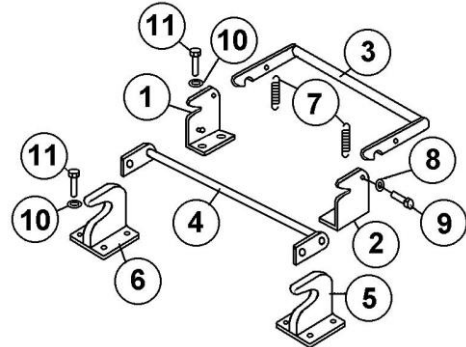
341-040 Toro 1600

Ref#	Part#	Description	Qty
1	610-344	Latch Bracket Left	1
2	610-345	Latch Bracket Right	1
3	610-346	Foot Bracket	1
4	610-399	Latch Bar	1
5	610-388	Axle Stop Right	1
6	610-389	Axle Stop Left	1
7	40-199	Spring	2
8	400-201	1/4" Flat Washer	6
9	400-002	5/16" x 1" Bolt	2
10	400-202-1	5/16" Flat Washer	24
11	400-090-1	3/8" x 1 1/4" Bolt	12
NI	400-109	5/16" Locknut	2
NI	400-116	3/8" Locknut	12



341-042 Toro 1600 w/2" Hub

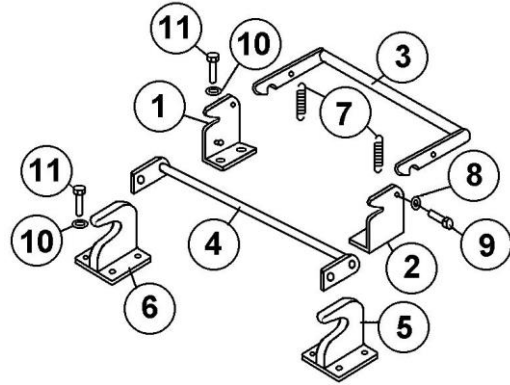
Ref#	Part#	Description	Qty
1	610-344	Latch Bracket Left	1
2	610-345	Latch Bracket Right	1
3	610-346	Foot Bracket	1
4	610-399	Latch Bar	1
5	610-365	Axle Stop Right	1
6	610-366	Axle Stop Left	1
7	40-199	Spring	2
8	400-201	1/4" Flat Washer	6
9	400-002	5/16" x 1" Bolt	2
10	400-202-1	5/16" Flat Washer	24
11	400-090-1	3/8" x 1 1/4" Bolt	12
NI	400-109	5/16" Locknut	2
NI	400-116	3/8" Locknut	12



TRAILER MOUNTING KITS

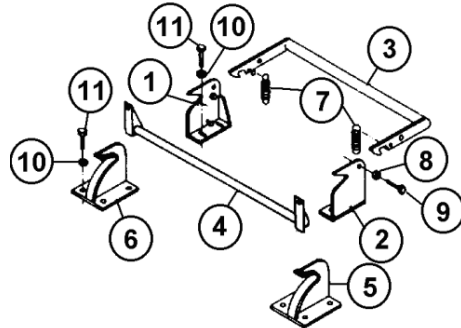
341-044 Toro Flex 21

Ref#	Part#	Description	Qty
1	610-344	Latch Bracket Left	1
2	610-345	Latch Bracket Right	1
3	610-346	Foot Bracket	1
4	610-327	Latch Bar	1
5	610-325	Axle Stop Left	1
6	610-326	Axle Stop Right	1
7	40-199	Spring	2
8	400-201	1/4" Flat Washer	6
9	400-002	5/16" x 1" Bolt	2
10	400-202-1	5/16" Flat Washer	24
11	400-090-1	3/8" x 1 1/4" Bolt	12
NI	400-109	5/16" Locknut	2
NI	400-116	3/8" Locknut	12



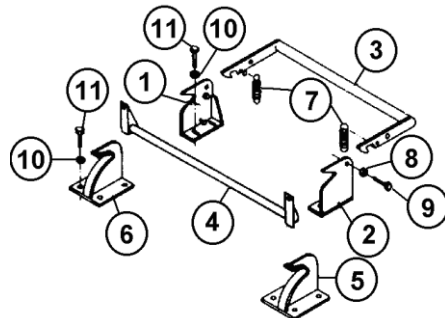
341-046 John Deere 180B

Ref#	Part#	Description	Qty
1	610-344	Latch Bracket Left	1
2	610-345	Latch Bracket Right	1
3	610-346	Foot Bracket	1
4	610-313	Latch Bar	1
5	610-348	Axle Stop Right	1
6	610-347	Axle Stop Left	1
7	40-199	Spring	2
8	400-201	1/4" Flat Washer	6
9	400-002	5/16" x 1" Bolt	2
10	400-202-1	5/16" Flat Washer	24
11	400-090-1	3/8" x 1 1/4" Bolt	12
NI	400-109	5/16" Locknut	2
NI	400-116	3/8" Locknut	12



341-048 John Deere 220B

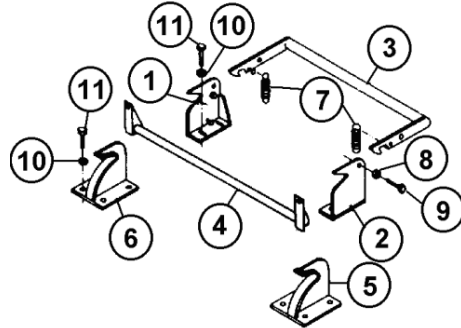
Ref#	Part#	Description	Qty
1	610-344	Latch Bracket Left	1
2	610-345	Latch Bracket Right	1
3	610-346	Foot Bracket	1
4	610-314	Latch Bar	1
5	610-348	Axle Stop Right	1
6	610-347	Axle Stop Left	1
7	40-199	Spring	2
8	400-201	1/4" Flat Washer	6
9	400-002	5/16" x 1" Bolt	2
10	400-202-1	5/16" Flat Washer	24
11	400-090-1	3/8" x 1 1/4" Bolt	12
NI	400-109	5/16" Locknut	2
NI	400-116	3/8" Locknut	12



TRAILER MOUNTING KITS

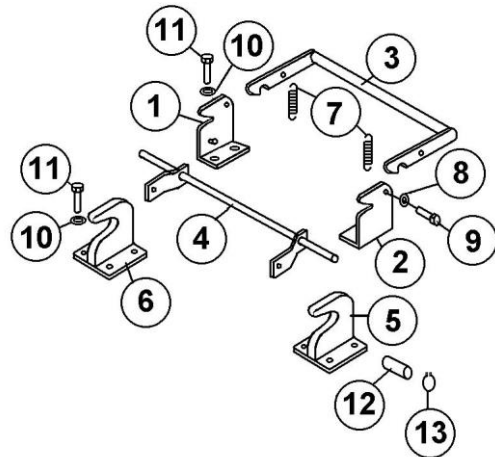
341-050 John Deere 260B

Ref#	Part#	Description	Qty
1	610-344	Latch Bracket Left	1
2	610-345	Latch Bracket Right	1
3	610-346	Foot Bracket	1
4	610-315	Latch Bar	1
5	610-348	Axle Stop Right	1
6	610-347	Axle Stop Left	1
7	40-199	Spring	2
8	400-201	1/4" Flat Washer	6
9	400-002	5/16" x 1" Bolt	2
10	400-202-1	5/16" Flat Washer	24
11	400-090-1	3/8" x 1 1/4" Bolt	12
NI	400-109	5/16" Locknut	2
NI	400-116	3/8" Locknut	12



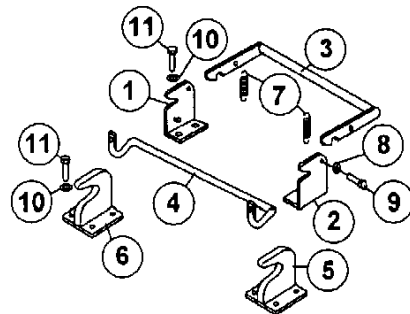
341-052 Jac. Flex Mower

Ref#	Part#	Description	Qty
1	610-344	Latch Bracket Left	1
2	610-345	Latch Bracket Right	1
3	610-346	Foot Bracket	1
4	610-386	Latch Bar	1
5	610-317	Axle Stop Right	1
6	610-316	Axle Stop Left	1
7	40-199	Spring	2
8	400-201	1/4" Flat Washer	6
9	400-002	5/16" x 1" Bolt	2
10	400-202-1	5/16" Flat Washer	24
11	400-090-1	3/8" x 1 1/4" Bolt	12
12	610-352-1	Nylon Bushing	2
13	40-324	Retaining Ring	2
NI	400-109	5/16" Locknut	2
NI	400-116	3/8" Locknut	12



341-054 Jac E-Walk

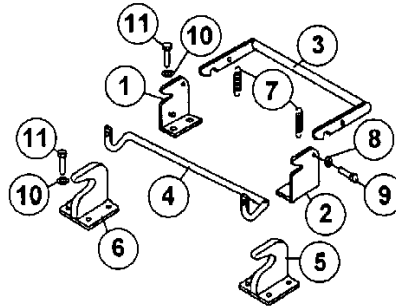
Ref#	Part#	Description	Qty
1	610-344	Latch Bracket Left	1
2	610-345	Latch Bracket Right	1
3	610-346	Foot Bracket	1
4	610-435	Latch Bar	1
5	610-350	Axle Stop Right	1
6	610-351	Axle Stop Left	1
7	40-199	Spring	2
8	400-201	1/4" Flat Washer	6
9	400-002	5/16" x 1" Bolt	2
10	400-202-1	5/16" Flat Washer	24
11	400-090-1	3/8" x 1 1/4" Bolt	12
NI	400-109	5/16" Locknut	2
NI	400-116	3/8" Locknut	12



TRAILER MOUNTING KITS

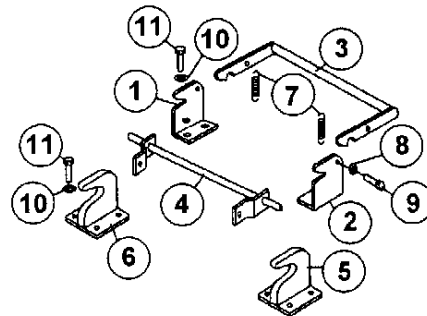
341-056 Jacobsen Eclipse

Ref#	Part#	Description	Qty
1	610-344	Latch Bracket Left	1
2	610-345	Latch Bracket Right	1
3	610-346	Foot Bracket	1
4	610-319	Latch Bar	1
5	610-350	Axle Stop Right	1
6	610-351	Axle Stop Left	1
7	40-199	Spring	2
8	400-201	1/4" Flat Washer	6
9	400-002	5/16" x 1 Bolt	2
10	400-202-1	5/16" Flat Washer	24
11	400-090-1	3/8" x 1 1/4" Bolt	12
NI	400-109	5/16" Locknut	2
NI	400-116	3/8" Locknut	12



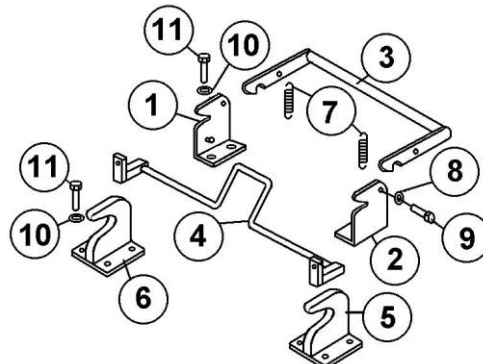
341-058 Toro Flex 18

Ref#	Part#	Description	Qty.
1	610-344	Latch Bracket Left	1
2	610-345	Latch Bracket Right	1
3	610-346	Foot Bracket	1
4	610-318	Latch Bar	1
5	610-326	Axle Stop Right	1
6	610-325	Axle Stop Left	1
7	40-199	Idler Spring	2
8	400-201	1/4" Flat Washer	6
9	400-002	5/16" – 18 x 1" HHCS	2
10	400-202-1	5/16" Flat Washer	24
11	400-090-1	3/8" x 1 1/4" Bolt	12
NI	400-109	5/16" – 18 Locknut	2
NI	400-116	3/8" – 16 Locknut	12



341-060 Mounting Kit f/Eclipse 18" Jacobsen

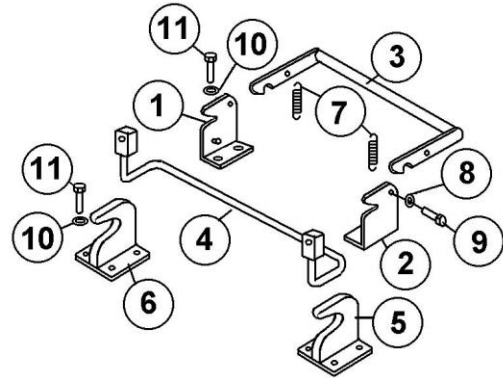
Ref#	Part#	Description	Qty
1	610-344	Latch Bracket Left	1
2	610-345	Latch Bracket Right	1
3	610-346	Foot Bracket	1
4	610-412	Latch Bar	1
5	610-350	Axle Stop Right	1
6	610-351	Axle Stop Left	1
7	40-199	Spring	2
8	400-201	1/4" Flat Washer	6
9	400-002	5/16" x 1" Bolt	2
10	400-202-1	5/16" Flat Washer	24
11	400-090-1	3/8" x 1 1/4" Bolt	12
NI	400-109	5/16" Locknut	2
NI	400-116	3/8" Locknut	12



TRAILER MOUNTING KITS

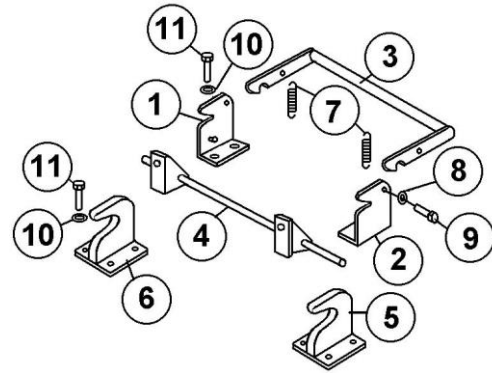
341-062 Mounting Kit f/Eclipse 26" Jacobsen

Ref#	Part#	Description	Qty
1	610-344	Latch Bracket Left	1
2	610-345	Latch Bracket Right	1
3	610-346	Foot Bracket	1
4	610-413	Latch Bar	1
5	610-365	Axle Stop Right	1
6	610-366	Axle Stop Left	1
7	40-199	Spring	2
8	400-201	1/4" Flat Washer	6
9	400-002	5/16" x 1" Bolt	2
10	400-202-1	5/16" Flat Washer	24
11	400-090-1	3/8" x 1 1/4" Bolt	12
NI	400-109	5/16" Locknut	2
NI	400-116	3/8" Locknut	12



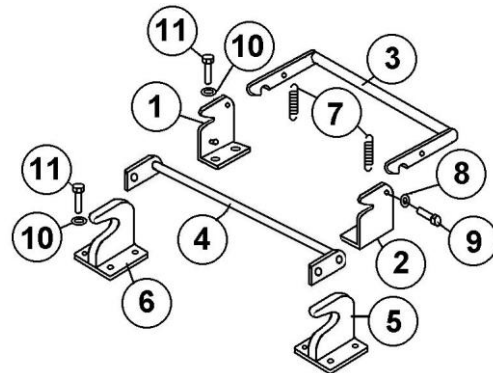
341-064 Mounting Kit f/Eclipse 2

Ref#	Part#	Description	Qty
1	610-344	Latch Bracket Left	1
2	610-345	Latch Bracket Right	1
3	610-346	Foot Bracket	1
4	610-436	Latch Bar	1
5	610-350	Axle Stop Right	1
6	610-351	Axle Stop Left	1
7	40-199	Spring	2
8	400-201	1/4" Flat Washer	6
9	400-002	5/16" x 1" Bolt	2
10	400-202-1	5/16" Flat Washer	24
11	400-090-1	3/8" x 1 1/4" Bolt	12
NI	400-109	5/16" Locknut	2
NI	400-116	3/8" Locknut	12



341-066 Mounting Kit f/Eclipse 2 (18")

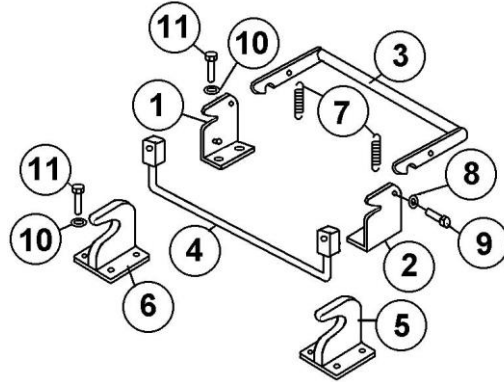
Ref#	Part#	Description	Qty
1	610-344	Latch Bracket Left	1
2	610-345	Latch Bracket Right	1
3	610-346	Foot Bracket	1
4	610-436	Latch Bar	1
5	610-350	Axle Stop Right	1
6	610-351	Axle Stop Left	1
7	40-199	Spring	2
8	400-201	1/4" Flat Washer	6
9	400-002	5/16" x 1" Bolt	2
10	400-202-1	5/16" Flat Washer	24
11	400-090-1	3/8" x 1 1/4" Bolt	12
NI	400-109	5/16" Locknut	2
NI	400-116	3/8" Locknut	12



TRAILER MOUNTING KITS

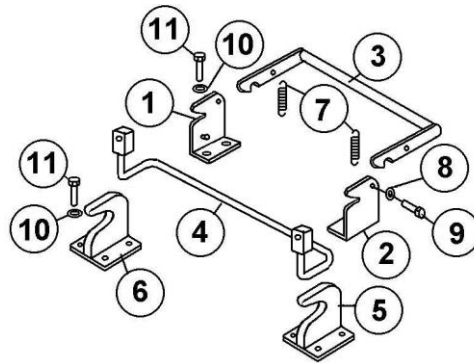
341-068 Mounting Kit f/Toro Flex 2100

Ref#	Part#	Description	Qty
1	610-344	Latch Bracket Left	1
2	610-345	Latch Bracket Right	1
3	610-346	Foot Bracket	1
4	610-437	Latch Bar	1
5	610-326	Axle Stop Right	1
6	610-325	Axle Stop Left	1
7	40-199	Spring	2
8	400-201	1/4" Flat Washer	6
9	400-003	5/16" x 1 1/4" Bolt	2
10	400-202-1	5/16" Flat Washer	24
11	400-090-1	3/8" x 1 1/4" Bolt	12
NI	400-109	5/16" Locknut	2
NI	400-116	3/8" Locknut	12



341-070 Mounting Kit f/Jacobsen Eclipse II

Ref#	Part#	Description	Qty
1	610-344	Latch Bracket Left	1
2	610-345	Latch Bracket Right	1
3	610-441	Foot Bracket	1
4	610-440	Latch Bar	1
5	610-350	Axle Stop Right	1
6	610-351	Axle Stop Left	1
7	40-199	Spring	2
8	400-201	1/4" Flat Washer	6
9	400-003	5/16" x 1 1/4" Bolt	2
10	400-202-1	5/16" Flat Washer	24
11	400-090-1	3/8" x 1 1/4" Bolt	12
NI	400-109	5/16" Locknut	2
NI	400-116	3/8" Locknut	12



The Smithco Commercial Products Two-Year Limited Warranty

Smithco, Inc. (Smithco) warrants your 2007 or newer Smithco Commercial Product (“Product”) purchased after January 1, 2007, to be free from defects in materials or workmanship for the period of time listed below. Where a warrantable condition exists, Smithco will repair the Product at no cost to you including diagnosis, labor (at the Smithco standard labor rate, subject to the Smithco flat rate schedule), and parts.

Warranty Duration Is:

1. Two years, 1500 operational hours* from the date of delivery to the original purchaser or three years from the date of original manufacturer of the product, whichever occurs first. (*Products equipped with hour meter).
2. Products used in rental situations are covered for 90 days from date of delivery to original user/renter.

Owner responsibilities:

As the Product owner, you are responsible for required maintenance and adjustments stated in your Owner’s Manual. Failure to perform required maintenance and adjustments can be grounds for disallowing a warranty claim. **You are particularly responsible to train all present and future operators of this product on the safe operation of this product at your location.**

Instructions for Obtaining Warranty Service:

You are responsible for notifying the Authorized Smithco Products Distributor from whom you purchased the Product as soon as you believe a warrantable condition exists and not later than 30 days from discovery of the condition.

If you need help locating an Authorized Smithco Distributor, or if you have questions regarding your warranty rights or responsibilities, you may contact us at:

Smithco Product Support Department
Highway SS @ Poplar St.
Cameron, Wisconsin 54822
Telephone: 715-458-4192 E-Mail: ProductSupport@Smithco.com

Maintenance Parts:

Parts scheduled for replacement as required maintenance (“Maintenance Parts”), are warranted for the period of time up to the scheduled replacement time for that part.

Items/Conditions Not Covered:

Not all product failures or malfunctions that occur during the warranty period are defects in materials or workmanship. The items/conditions listed below are not covered by this warranty.



Product failures which result from the use of non-Smithco replacement parts, or from installation and use of add-on, modified, or unapproved accessories are not covered.



Product failures which result from failure to perform required maintenance and/or adjustments are not covered.



Product failures that result from operating the Product in an abusive, negligent or reckless manner are not covered.



This warranty does not apply to parts subject to consumption through use, unless found to be defective. Examples of parts which are consumed, or used up during normal Product operation include, but are not limited to: blades, tines, teeth, scarifiers, rakes, plates, wear plates, castor wheels, tires, batteries, filters, belts, nozzles, etc.



This warranty does not apply to failures caused by outside influence. Items considered to be outside influence include, but are not limited to, weather, storage practices, contamination, use of unapproved coolants, lubricants, additives, or chemicals, etc.



This warranty does not apply to normal "wear and tear" items. Normal "Wear and Tear" includes, but is not limited to, damage to seats due to wear or abrasion, worn painted surfaces, scratched decals or windows, etc.



Smithco may require the return of failed parts or components in order determine the validity of any warranty claim.



Smithco will not be obligated to replace components of other manufacturers if inspection by the original component manufacturer indicates that failure was due to normal wear and tear, expected consumption through use or improper care or service.

Other Legal Disclaimers:

The above remedy for product defects through repair or replacement by an authorized Smithco distributor or dealer is the purchaser's sole remedy for any defect. This warranty gives you specific legal rights, and you may also have other rights which vary from state to state.

THERE ARE NO OTHER EXPRESS WARRANTIES OTHER THAN THOSE SET FORTH ABOVE. ALL IMPLIED WARRANTIES OF MERCHANTABILITY AND FITNESS FOR USE ARE LIMITED TO THE DURATION OF THE LIMITED WARRANTIES CONTAINED HEREIN.

Some States may not allow limitations on how long an implied warranty lasts, so the above limitation may not apply to you.

THE SMITHCO COMPANY IS NOT LIABLE FOR INDIRECT, INCIDENTAL OR CONSEQUENTIAL DAMAGES IN CONNECTION WITH THE USE OF THE PRODUCT, INCLUDING ANY COST OR EXPENSE OF PROVIDING A SUBSTITUTE PRODUCT OR SERVICE DURING PERIODS OF MALFUNCTION OR NON-USE.

Some states may not allow the exclusion of indirect, incidental or consequential damages, so the above exclusion may not apply to you.

Smithco neither assumes, nor authorizes any person to assume for it, any other liability in connection with the sale or use of this product.

**SMITHCO, INC.
WANYE, PA 19087**

