

Parts & Service



Spray Star 2000  
Model 20-500-A  
SN: 200G173

February 2016

**Product Support:**

**Hwy 55 & Poplar Ave; Cameron WI 54822**

**1-800-891-9435 [productsupport@smithco.com](mailto:productsupport@smithco.com)**

# CONTENTS

Introduction

## Introduction ..... 1-3

Introduction .....	1
General Safe Practices .....	2
Specifications .....	3
Optional Spray Equipment .....	3

## Service ..... 4-9

Maintenance .....	4-6
Storage .....	6
Adjustments .....	7
Service Chart .....	8-9

Service

## Diagrams ..... 10-15

Wiring Diagram .....	10-13
Hydraulic Diagram .....	14-15

## Parts ..... 16-

Body & Frame .....	16-17
Nose Cone .....	18-21
Linkage .....	20-21
Front Axle .....	22-23
Oil Tank and Fuel Tank .....	24-25
Seat Panel .....	26-27
Engine and Pumps .....	28-31
Spray Pump .....	32-33
Rear Axle .....	34-35
Spray Tank .....	36-37
Turbo Quad Agitator .....	38-39
15-301 Orbitor .....	40-41
16-998 Hypro® Pump .....	42
76-197 Gear Pump .....	43
76-482 Hydrostatic Pump .....	44-45
43-116 Wheel Motor .....	46-47

Diagrams

Parts

Accessories

Reference

## Accessories ..... 58-10

Plumbing 2002 System (Raven 440) .....	48-49
Plumbing 2004 System (Raven 203) .....	50-51
Plumbing 2005/2006 System(SharpShooter/Envizio Proll) .....	52-53
Plumbing 2007/2008 System(SharpShooter/Raven 440) .....	54-55
Controls 2002 System (Raven 440) .....	56-57
Controls 2004 System (Raven 203) .....	58-59
Controls 2005 System (SharpShooter/Envizio Pro II) ....	60-61
Controls 2008 System (SharpShooter/Raven 440) .....	62-63
16-524 Motorized Control Valve .....	64
15-737 Strainer .....	65
15-743 Manifold Ball Valve .....	66
17-585 18' Heavy Duty Boom .....	70-74
17-580 20' Heavy Duty Boom .....	75-79
Triple Nozzle Assembly .....	80
Sharp Shooter Nozzles .....	81
30-010 Electric Hose Reel .....	82-84
30-009 Hose Reel .....	85
Hose Reel Installation .....	86-87
Hose Reel Adjustments .....	87
30-004 Foam Marker Installation .....	88-92
15-511 Foam Nozzle Sub Assembly .....	94
14-515 Water Meter Kit (Gallons) .....	95
15-618 Water Meter Kit (Liters) .....	95
30-006 Fresh Water Tank .....	96-97
20-503 Chemical Cleanload System .....	98-101
15-835 Tank Rinsing System .....	102

## Reference ..... 103-104

Decal List .....	103
Quick Reference Replacement Parts .....	104
Warranty	

Thank you for purchasing a **Smithco** product.

Read this manual and all other manuals pertaining to the Spray Star 2000 carefully as they contain safety, operating, assembly and maintenance instructions. Failure to do so could result in personal injury or equipment damage.

Keep manuals in a safe place after operator and maintenance personnel have read them. Right and left sides are from the operator's seat, facing forward.

**WARNING**

**CALIFORNIA**  
**Proposition 65 Warning**  
**Engine exhaust and some of its constituents**  
**are known to the State of California to**  
**cause cancer, birth defects, and other**  
**reproductive harm.**

All **Smithco** machines have a Serial Number and Model Number. Both numbers are needed when ordering parts. Refer to engine manual for placement of engine serial number.

For product and accessory information, help finding a dealer, or to register your product please contact us at [www.Smithco.com](http://www.Smithco.com).

Information needed when ordering replacement parts:

1. Model Number of machine
2. Serial Number of machine
3. Name and Part Number of part
4. Quantity of parts

For easy access record your Serial and Model numbers here.

**SMITHCO**  
 WAYNE, PENNSYLVANIA 19087 USA  
 610-688-4009 Fax 610-688-6069

SERIAL NO.

MODEL NO.

kW/hp

lb/kg Empty

DATE OF MFG.

lb/kg Full

## SAFE PRACTICES

1. It is your responsibility to read this manual and all publications associated with this machine.
2. Never allow anyone to operate or service the machine or its optional equipment without proper training and instructions. Never allow minors to operate any equipment.
3. Learn the proper use of the machine, the location and purpose of all the controls and gauges before you operate the equipment. Working with unfamiliar equipment can lead to accidents.
4. Wear all the necessary protective clothing and personal safety devices to protect your head, eyes, ears, hands and feet. Operate the machine only in daylight or in good artificial light.
5. Inspect the area where the equipment will be used. Pick up all debris you can find before operating. Beware of overhead obstructions and underground obstacles. Stay alert for hidden hazards.
6. Never operate equipment that is not in perfect working order or without decals, guards, shields, or other protective devices in place.
7. Never disconnect or bypass any switch.
8. Carbon monoxide in the exhaust fumes can be fatal when inhaled, never operate a machine without proper ventilation.
9. Fuel is highly flammable, handle with care.
10. Keep engine clean. Allow the engine to cool before storing and always remove the ignition key.
11. Disengage all drives and set park brake before starting the engine.
12. Never use your hands to search for oil leaks. Hydraulic fluid under pressure can penetrate the skin and cause serious injury.
13. This machine demands your attention. To prevent loss of control or tipping of the vehicle:
  - A. Use extra caution in backing up the vehicle. Ensure area is clear.
  - B. Do not stop or start suddenly on any slope.
  - C. Reduce speed on slopes and in sharp turns. Use caution when changing directions on slopes.
  - D. Stay alert for holes in the terrain and other hidden hazards.
14. Before leaving operator's position:
  - A. Disengage all drives.
  - B. Set park brake.
  - C. Shut engine off and remove the ignition key.
  - D. If engine has to run to perform any maintenance keep hands, feet, clothing and all other parts of body away from moving parts.
15. Keep hands, feet and clothing away from moving parts. Wait for all movement to stop before you clean, adjust or service the machine.
16. Keep the area of operation clear of all bystanders.
17. Stop engine before making repairs/adjustments or checking/adding oil to the crankcase.
18. Use parts and materials supplied by **SMITHCO** only. Do not modify any function or part.
19. Use caution when booms are down as they extend out beyond the center line of the machine.
20. The tank is a confined space, take precaution.

***These machines are intended for professional maintenance on golf courses, sports turf, and any other area maintained turf and related trails, paths and lots. No guaranty as to the suitability for any task is expressed or implied.***



## SPECIFICATIONS SPRAY STAR 2000

### WEIGHTS AND DIMENSIONS

Length	132" (335cm) - w/ booms 137" (348 cm) - w/ Cleanload 151" (384 cm)
Width	72" (183cm)
Height w/ Booms Folded	110" (279 cm)
Wheel Base	61" (155cm)
Weight Empty	1990 lbs (903 kg)
Weight Loaded	3605 lbs (1635 kg)

### SOUND LEVEL (DB)

At ear level	93 dBA
--------------	--------

### ENGINE

Make	Briggs & Stratton
Model#	543477
Type / Spec#	0175-G1
Horsepower	31 hp (23 kW)
Fuel	Unleaded 87 Octane Gasoline Minimum
Cooling System	Air Cooled
Lubrication System	Full Pressure
Alternator	20 Amp

### WHEELS & TIRE

Front:	Two 20 x 10.00 x 10 NHS Multi-Rib; 20 psi (1.4 bar)
Rear:	Two 24 x 13.00 x 12 NHS Multi-Trac; 18 psi (1.3 bar)

### SPEED

Infinitely Variable	0-10 m.p.h. (0-16 kph)
---------------------	------------------------

### BATTERY

	Automotive type 24F - 12 volt
BCI Group	Size 24
Cold Cranking Amps	900 minimum
Ground Terminal Polarity	Negative (-)
Maximum Length	10.25" (26 cm)
Maximum Width	6.88" (17 cm)
Maximum Height	10" (25 cm)

### FLUID CAPACITY

Crankcase Oil	See Engine Manual
Fuel	6 gallon (22.7 liters)
Hydraulic Fluid	5 gallon (19 liters)
Grade of Hydraulic Fluid	SAE 10W-40 API Service SJ or higher Motor Oil

## OPTIONAL EQUIPMENT

15-618	Water Meter Kit (liters)	14-515	Water Meter Kit (Gallons)
20-503	Chemical Cleanload Safe Fill	15-850	Sunshade Canopy
30-009	Manual Rewind Hose Reel, 200-foot/61-meter capacity		
30-010	Electric Rewind Hose Reel, 200-foot/61-meter capacity		
30-004	Foam Marker	30-006	Clear water Wash Tank
15-835	Tank Rinsing System	30-140	26 Gal Wash System
17-585	18' HD Super Boom	17-580	20' HD Super Boom
17-590	Lazer-Beam Automatic Boom for HD Booms	31-004	All Weather Top



## MAINTENANCE

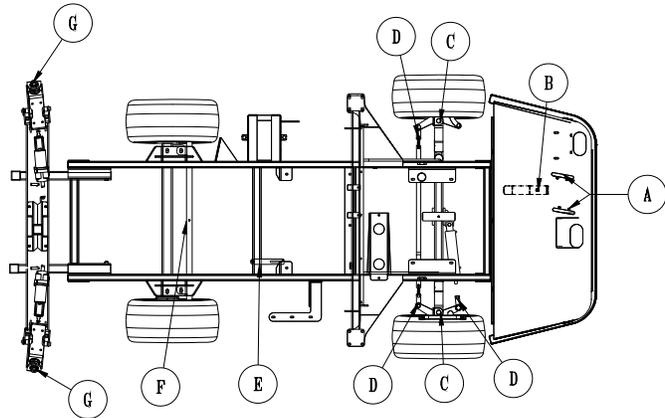


Before servicing or making adjustments to machine, stop engine and remove key from ignition.

**NOTE:** Use all procedures and parts prescribed by the manufacturer's. Read the engine manual before operation.

Use No. 2 General purpose lithium base grease and lubricate every 100 hours. The Spray Star 2000 has 14 grease fittings.

- A. One on each pedal mount.
- B. Pedal relay.
- C. Right and left spindles.
- D. All three rod ends.
- E. Idler arm.
- F. Brake relay.
- G. Top and bottom pivot bolts on boom



### ELECTRICAL CONNECTIONS

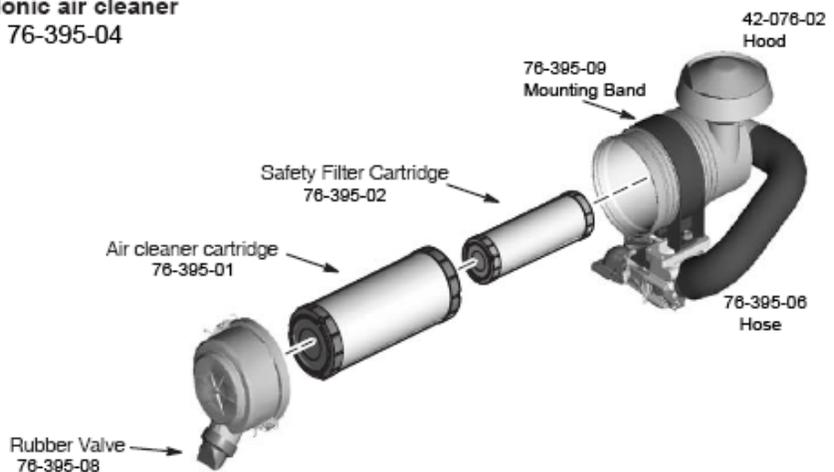
Use dielectric grease on all electrical connections.

### AIR CLEANER ON ENGINE

1. Unclip the two clips, remove the cover and pull out the element.
2. To service, clean by tapping gently on flat surface. Do not oil. Replace if very dirty or damaged.
3. Clean out the inside of the body and cover.
4. Place the element into the body and put the cover back on..

**NOTE:** Do not use petroleum solvents, e.g., kerosene, which will cause cartridge to deteriorate. Do not use pressurized air to clean cartridge. Pressurized air can damage cartridge.

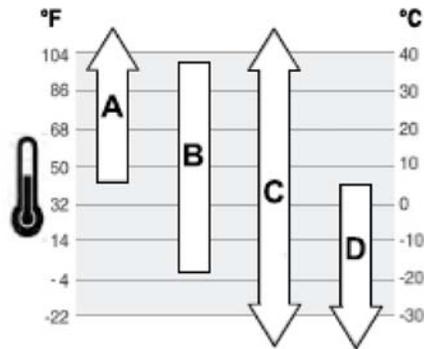
### Cyclonic air cleaner 76-395-04



## ENGINE OIL

Change and add oil according to chart below based on air temperature at the time of operation. Do not overfill. Use a high quality detergent oil classified "For Service SJ or higher" oil. Use no special additives with recommended oils. Do not mix oil with gasoline.

1. Use SAE 10W-40 API Service SJ or higher motor oil.
2. For proper warranty, change oil every 500 hours or annually, which ever is first.
3. Oil level should be 2-2½" (5-6.4cm) from top of the tank when fluid is cold. Do not overfill.
4. After changing oil, run the machine for a few minutes. Check oil level and for leaks.
5. Always use extreme caution when filling hydraulic oil tank or checking level to keep system free of contaminants. Check and service more frequently when operating in extremely cold, hot or dusty conditions.
6. If the natural color of the fluid has become black or smells burnt, it is possible that an overheating problem exists.
7. If fluid becomes milky, water contamination may be a problem.
8. If either of the above conditions happen, change oil immediately after fluid is cool and find the cause. Take fluid level readings when the system is cold.
9. In extreme temperatures you can use straight weight oil. We recommend SAE 30W API Service SG when hot (above 90°F (33°C)) and SAE 10W API Service SJ or higher when cold (below 32°F (0°C)) ambient temperature. Use either motor oil or hydraulic oil, but do not mix.
10. Oil being added to the system must be the same as what is already in the tank. Mark the tank fill area as to which type you put in.



A	SAE 30 - Below 40 °F (4 °C) the use of SAE 30 will result in hard starting.
B	10W-30 - Above 80 °F (27 °C) the use of 10W-30 may cause increased oil consumption. Check oil level more frequently.
C	Synthetic 5W-30
D	5W-30

## TIRE PRESSURE

Caution must be used when inflating a low tire to recommended pressure. Over inflating can cause tires to explode. Front tires should be 20 psi (1.4bar) and rear tires should be 18 psi (1.3 bar). Improper inflation will reduce tire life considerably.

## WHEEL MOUNTING PROCEDURE

1. Set park brake. Turn machine off and remove key.
2. Block wheel on opposite corner.
3. Loosen nuts slightly on wheel to be removed.
4. Jack up machine being careful not to damage underside of machine.
5. Place wheel on hub lining up bolt holes.
6. Torque to 64-74 ft/lb (87-100Nm) using a cross pattern. Retorque after first 10 hours and every 200 hours thereafter.
7. Lower machine to ground and remove blocks and jack.

## MAINTENANCE

### BATTERY

Batteries normally produce explosive gases which can cause personal injury. Do not allow flames, sparks or any ignited object to come near the battery. When charging or working near battery, always shield your eyes and always provide proper ventilation.

Battery cable should be disconnected before using "Fast Charge".

Charge battery at 15 amps for 10 minutes or 7 amps for 30 minutes. Do not exceed the recommended charging rate. If electrolyte starts boiling over, decrease charging.

Always remove grounded (-) battery clamp first and replace it last. Avoid hazards by:

1. Filling batteries in well-ventilated areas.
2. Wear eye protection and rubber gloves.
3. Avoid breathing fumes when electrolyte is added.
4. Avoid spilling or dripping electrolyte.



**WARNING**

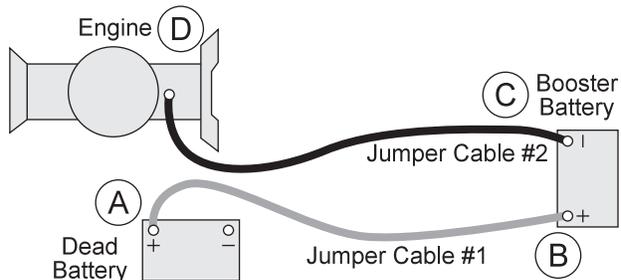
**Battery Electrolyte is an acidic solution and should be handled with care. If electrolyte is splashed on any part of your body, flush all contact areas immediately with liberal amounts of water. Get medical attention immediately.**

**Use of booster battery and jumper cables. Particular care should be used when connecting a booster battery. Use proper polarity in order to prevent sparks.**

TO JUMP START (NEGATIVE GROUNDED BATTERY):

1. Shield eyes.
2. Connect ends of one cable to positive (+) terminals of each battery, first (A) then (B).
3. Connect one end of other cable to negative (-) terminal of "good" battery (C).
4. Connect other end of cable (D) to engine block on unit being started (NOT to negative (-) terminal of battery)

To prevent damage to other electrical components on unit being started, make certain that engine is at idle speed before disconnecting jumper cables.



## STORAGE

If the engine will be out of service for two or more months, use the following storage procedure.

1. Clean the exterior surfaces of the engine.
2. Change the oil and filter while the engine is still warm from operation.
3. The fuel system must be completely emptied, or the gasoline must be treated with a stabilizer to prevent deterioration.

If you choose to use a stabilizer, follow manufacturers recommendations, and add the correct amount for the capacity of fuel system. Fill fuel tank with clean, fresh gasoline. Run engine for 2-3 minutes to get stabilized fuel into carburetor. Close fuel shut-off valve when unit is being stored or transported.

To empty the system, drain fuel tank and carburetor, or run engine until tank and system are empty.

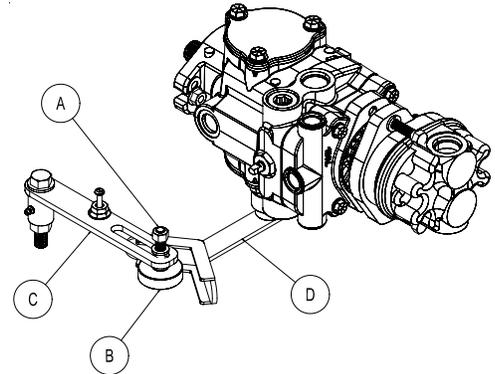
4. Remove the spark plugs. Add one tablespoon of engine oil into each spark plug hole. Install plugs, but do not connect the plug leads. Crank the engine two or three revolutions.
5. Store machine in a clean, dry place.



## WHEEL CREEP

"Creep" is when the engine is running and hydrostatic transmission is in neutral, but due to inadequate alignment, wheels still move. Do the following procedure to stop this motion.

1. Lift up and support machine so rear wheels are off the ground and can turn freely.
2. In the engine compartment, the hydrostatic transmission is on the left side. The shift arm (D) is under the pump and comes out the side. The idler arm (B) has a bearing that runs in the notch of the shift arm. Loosen bolt (A).
3. With engine running, move bearing (B) so it centers on the shift arm (D) and 'wheel creep' stops.
4. Tighten all fasteners and test by using foot pedal linkage to see that 'creep' is removed.
5. Turn engine off and lower machine.



## SPRAY PUMP WITH BELT

Located to the right of the engine. The belt should have approximately 1/2" (13mm) of deflection in the center of the top strand. Loosen and tighten the 3/8 -16 x 1 1/4 bolts located on the foot of the pump mount.

## MASTER BOOM SWITCH (FOOT SWITCH)

The master boom switch, located on the left floorboard is used to override the master switch on the computer console of the spray systems. By pushing down it will turn on/off the booms. *For the 440 System* the Master Switch on the computer **must be off** for the master boom control switch to work.

## GROUND SPEED CONTROL (FOOT SWITCH)

The ground speed control does not work the same as an automotive type cruise. The ground speed control is located on the center floorboard and is used to lock forward speed.

## TO ENGAGE:

1. Flip rocker switch 'On' (green light).
2. Obtain desired speed with foot pedal.
3. Step on foot switch to lock speed.
4. Push foot switch again to disengage.

## SPEED CALIBRATION NUMBERS

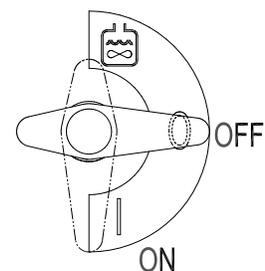
The speed calibration numbers for the Spray Star 2000 is 785.

## SPRAY BOSS CONTROL

Engages and disengages speed boss. Forward is engage and all the way back is disengage. When the lever is engaged it sets a stop for the accelerator. The accelerator pedal must be used to maintain this speed. To adjust speed use the knob on the end of the lever, counter clockwise increases speed and clockwise decreases speed. Disengage the lever and you will have full accelerator pedal range.

## TANK AGITATION

The valve to turn on and off the tank agitation is located on the front of the seat panel, drivers right hand side. Turn valve handle down to turn on and turn back up to shut off.





<b>Maintenance Service Interval</b>	<b>Maintenance Procedure</b>
After the first 8 operating hours	Torque the wheel lug nuts. (64-74 ft/lb (87-100 Nm)) Change the engine oil filter.
Before each use daily	Check the engine oil level. Clean area around muffler and controls. Check the hydraulic fluid level. Check the tire pressure. Check condition of hydraulic hoses and fittings. Inspect and clean the machine.
After the first 50 hours	Change Hydraulic Oil Filter.
Every 100 hours	Clean or change air filter. <sup>1&amp;2</sup> Clean pre-cleaner. <sup>1</sup> Change engine oil and filter. Replace spark plug . Lubricate machine. Clean or change remote air cleaner. Check the battery fluid level and cable connections.. Service exhaust sytem. Check belt tension .
Every 250 hours	Check engine valve clearance and adjust if necessary. Check idle speed. Clean battery terminals. Change hydraulic oil filter. Torque the wheel lug nuts. (64-74 ft/lb (87-100 Nm))
Every 500 hours or yearly	Change fuel filter. Change hydraulic oil and filter. Clean oil cooler fins. <sup>1</sup> Replace air filter <sup>2</sup> Replace fuel filter Clean air cooling system. <sup>1</sup> Check safety filter in remote air cleaner.

<sup>1</sup> In dusty conditions or when airborne debris is present, clean more often.

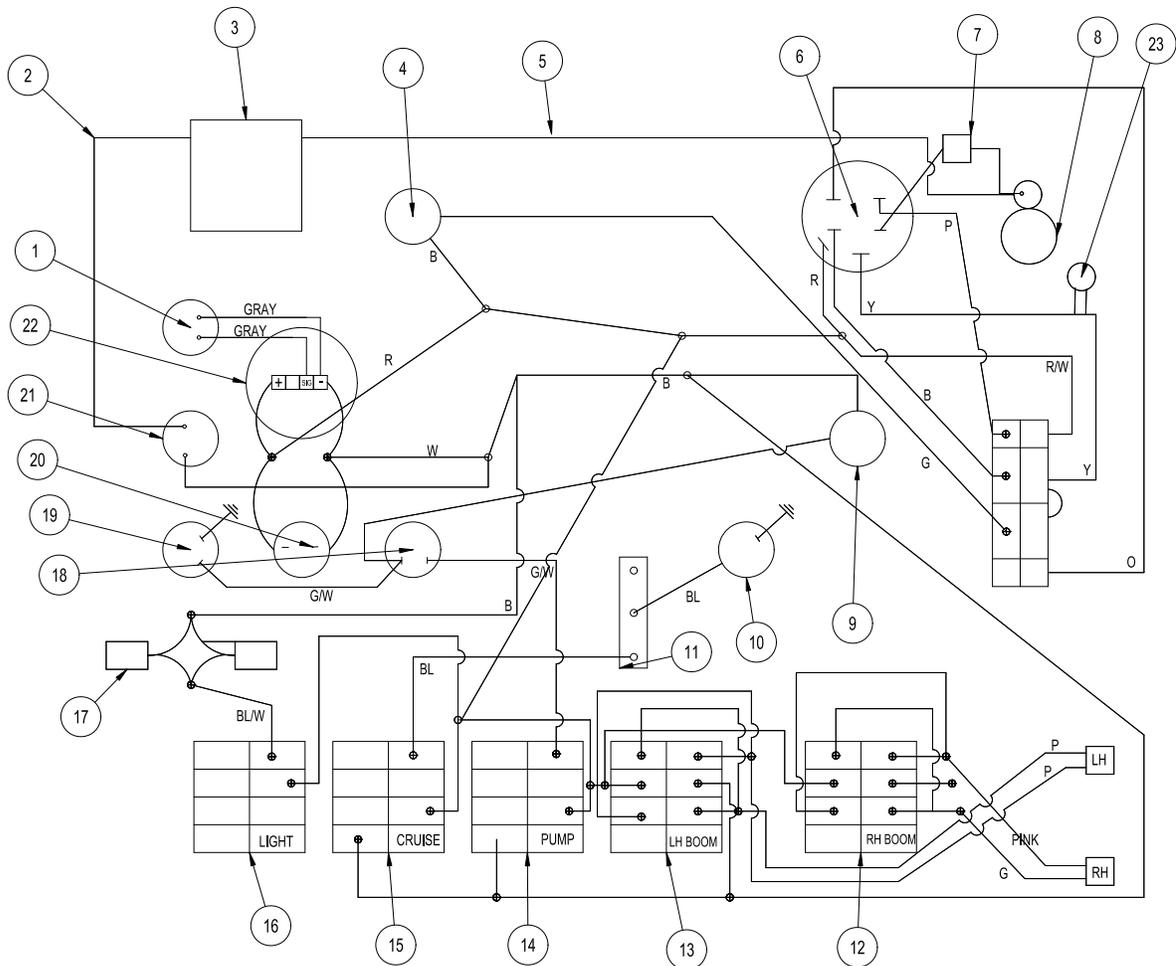
<sup>2</sup> Every third air filter change, replace the inner safety filter.

# WIRING DIAGRAM

Use dielectric grease on all electrical connections.  
 To reset circuit breaker on ball valve, you must disconnect power to computer.

## Color Code Chart

Bl	Blue
Br	Brown
Y	Yellow
G	Green
O	Orange
R	Red
B	Black
P	Purple
W	White



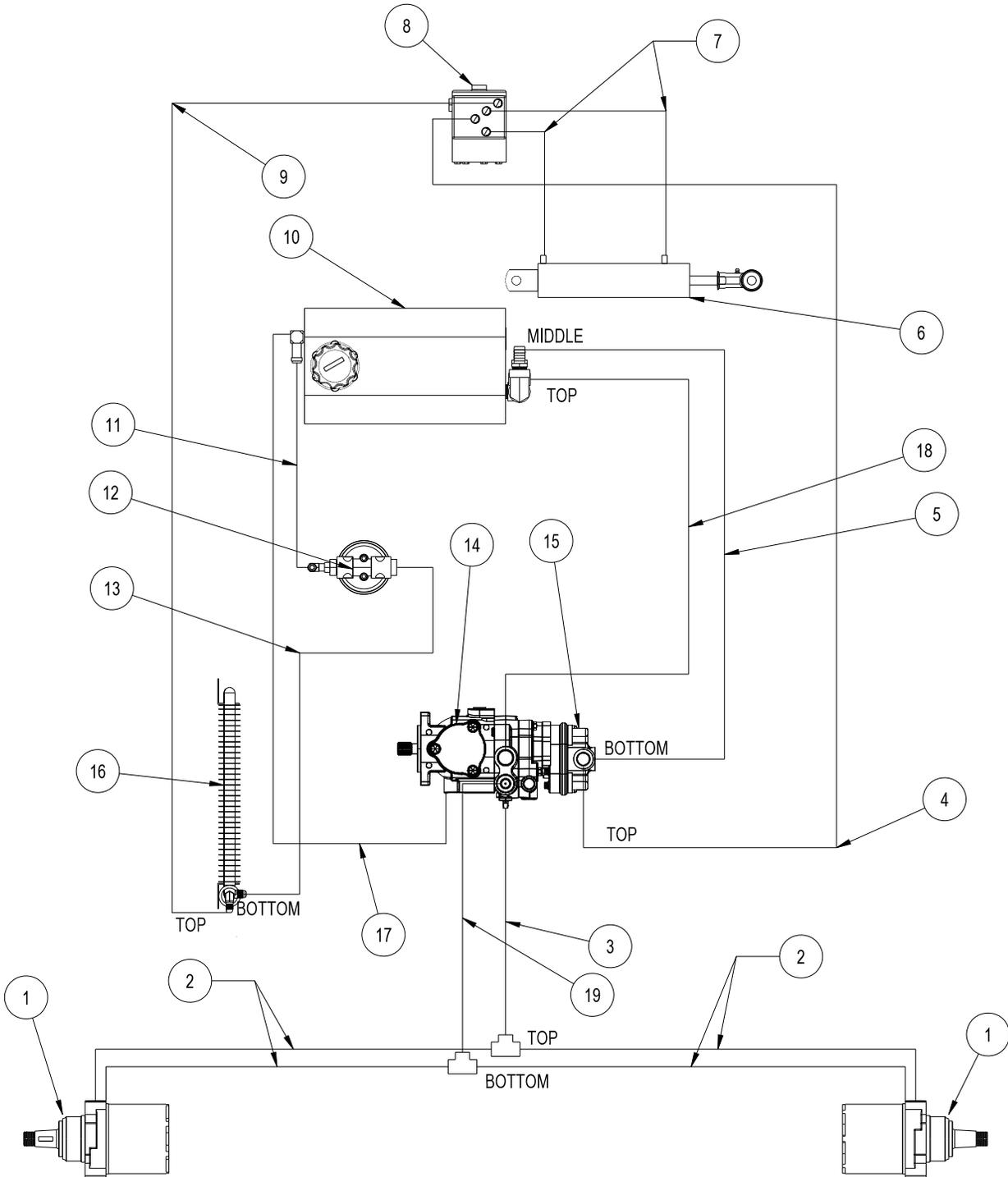
# WIRING DIAGRAM

REF#	PART#	DESCRIPTION	QUANTITY
1	16-883	Speed Sensor	1
2	48-147	Negative Battery Cable	1
3	33-216	Battery	1
4	50-359	Oil Temperature Light	1
5	50-323	Red Battery Cable	1
6	13-488	Key Switch	1
7	77-261	40 Amp Circuit Breaker	1
	8977	Red Boot	1
8		Solenoid	1
9	77-207	Buzzer	1
10	33-084	Magnetic Coil	1
11	33-509	Master Boom Switch	1
12	Right Boom		
	15-725	Mount Panel End	1
	15-727	Rocker - No light	1
	15-728	Centering Switch, Momentary, On-Off-On	1
13	Left Boom		
	15-729	Mount Panel Middle	1
	15-728	Centering Switch, Momentary, On-Off-On	1
	15-727	Rocker - No light	1
14	Pump		
	15-729	Mount Panel Middle	1
	15-726	Lighted Switch	1
	15-731	Rocker - Amber	1
15	Cruise		
	15-729	Mount Panel Middle	1
	15-726	Lighted Switch	1
	15-732	Rocker - Green	1
16	Lights		
	15-725	Mount Panel End	1
	15-782	Non-Lighted Switch, On-None-Off	1
	15-727	Rocker - No light	1
17	32-014	Lights	2
18	33-480	Pressure Switch	1
19	16-998	Spray Pump	1
20	12-017	Hour Meter	1
21		Engine Block	1
22	10-556	Speedometer	1
23	14-292	Seat Switch	1
	20-579	Wire Harness	1

# HYDRAULIC DIAGRAM

Use dielectric grease on all electrical connections.

Diagrams



## HYDRAULIC DIAGRAM PARTS LIST

REF#	PART#	DESCRIPTION	QUANTITY
1	43-116	Wheel Motors	2
	14-080	Wheel Motor Seal Kit	2
2	15-681	Hose	4
3	20-572	Hydraulic Hose	1
4	20-574	Hydraulic Hose	1
5	8832-29	3/4 Suction Hose	1
	18-040	Hose Clamp	2
6	15-839	Hydraulic Cylinder	1
	14-531	Cylinder Seal Kit	1
7	20-575	Hydraulic Hose	2
8	15-301	Orbitrol	1
	15-301-01	Orbitrol Seal Kit	1
9	20-573	Hydraulic Hose	1
10	60-473	Oil Tank	1
11	20-564	Hydraulic Hose	1
12	20-576	Oil Filter Assembly	1
	20-576-01	Replacement Filter	1
13	20-563	Hydraulic Hose	1
14	76-482	Hydrostatic Pump	1
	77-239-22	Hydrostatic Pump Seal Kit	1
15	76-197	Gear Pump	1
	76-197-08	Gear Pump Seal Kit	1
16	15-624	Oil Cooler	1
17	20-570	Hydraulic Hose	1
18	8832-27	3/4 Suction Hose	1
	18-040	Hose Clamp	2
19	20-571	Hydraulic Hose	1

## PUMP DISPLACEMENT

### 76-482 Hydrostatic Pump

Displacement	Variable to 1.44 in <sup>3</sup> /R (23.6 cm <sup>3</sup> /R) 22.44 gpm (84.94 lpm) at 3600 rpm
Max Operating Speed	3600 rpm
Rated Pressure	3000 psi (206.8 bar)
Max Pressure	5000 psi (344.7 bar)
Max Inlet Vacuum	6 in Hg (.203 bar)
Max Inlet Temperature	225°F (107°C)
Max Allowable Case Pressure	25 psi (1.72 bar)

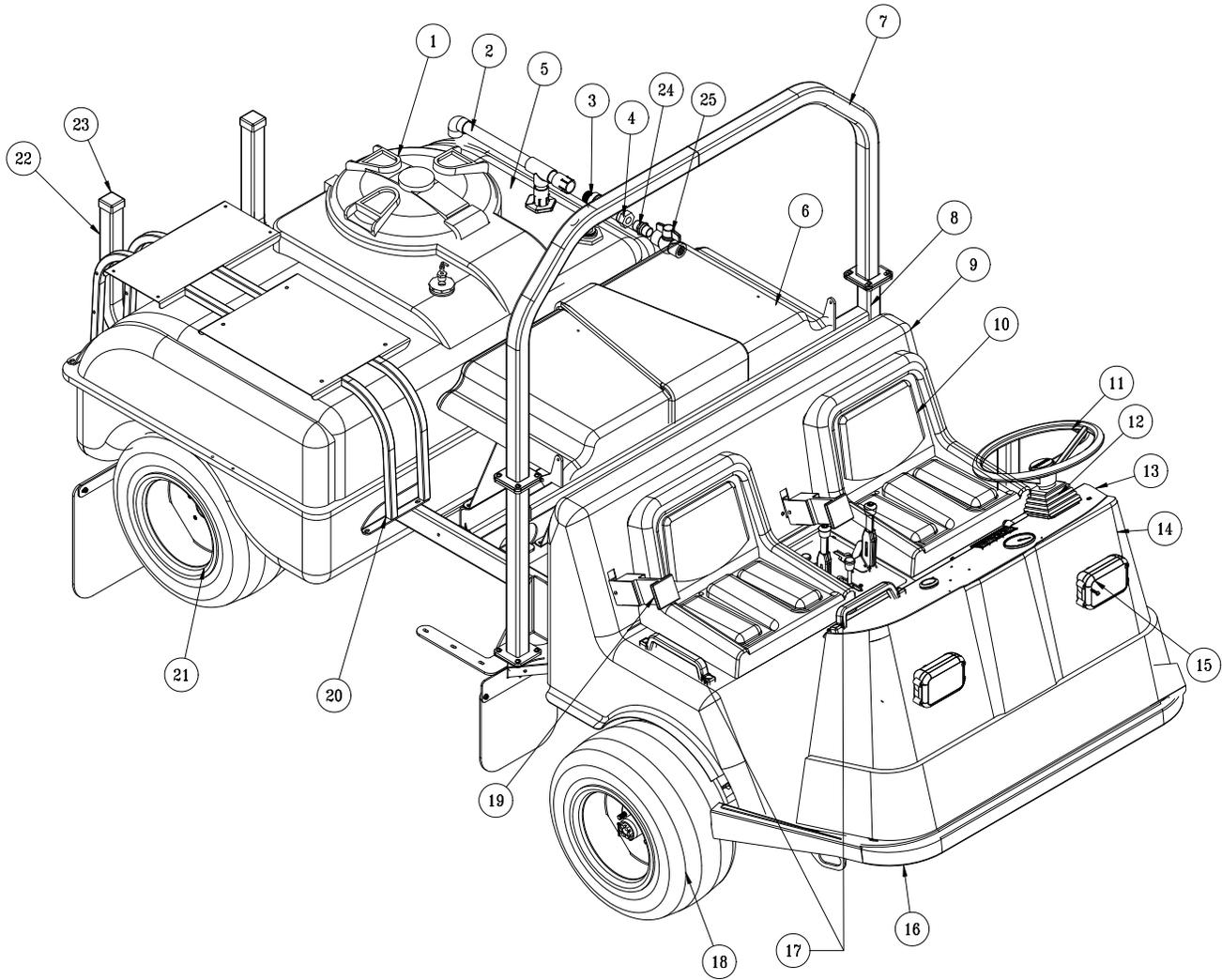
### 76-197 Gear Pump

Displacement	.40 in <sup>3</sup> /R (6.6 cm <sup>3</sup> /R) 6.23 gpm (25.39 lpm)
--------------	--

Over tightened fittings will result in crushing the cone which will create a leak.

# BODY & FRAME DRAWING

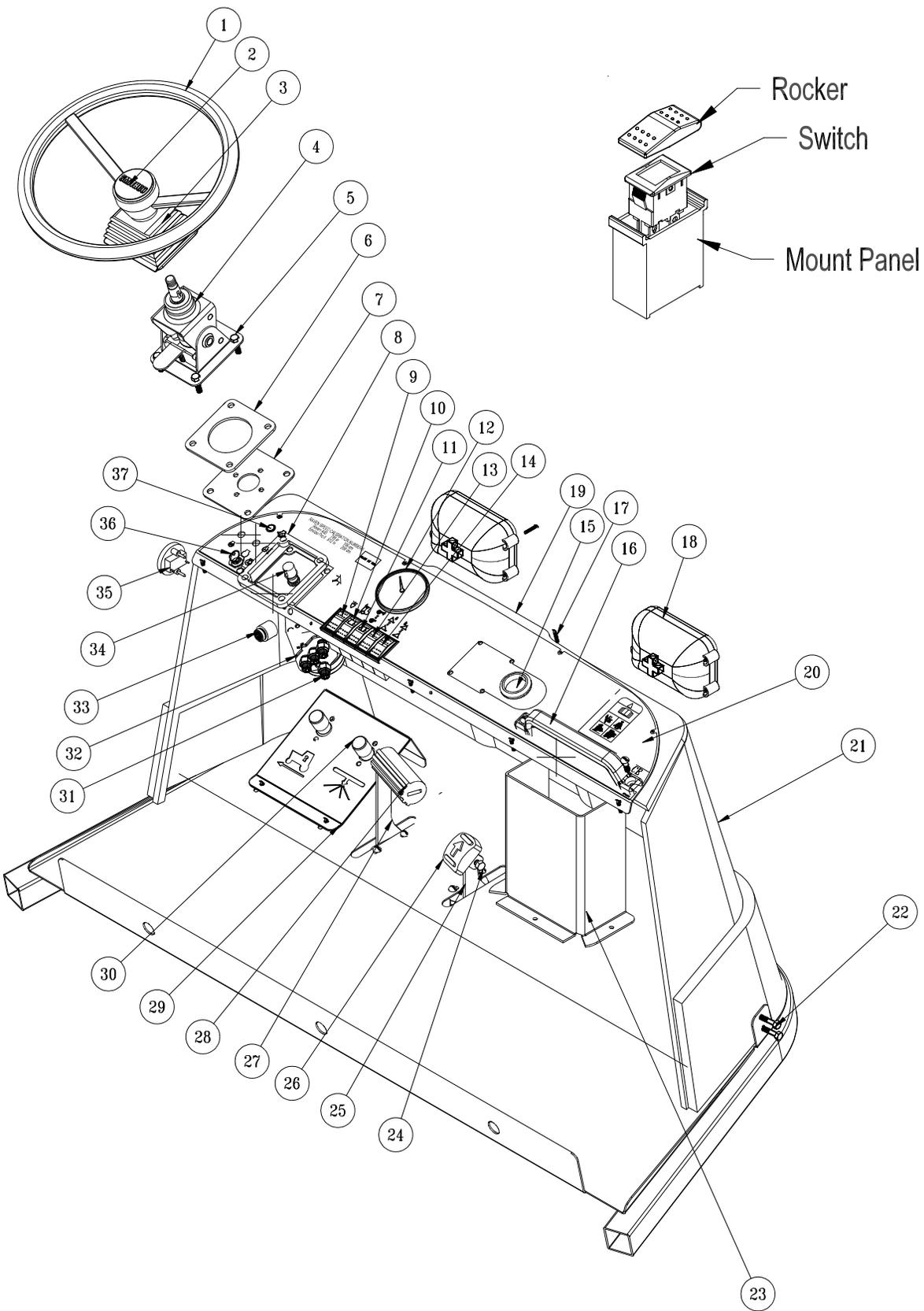
Diagrams



## BODY & FRAME PARTS LIST

REF#	PART#	DESCRIPTION	QUANTITY
1	16-953	16" Lid	1
	16-953-01	Gasket for Lid	1
	16-169	Strainer Basket	1
2	14-365	Air Gap Filler	1
3	16-961	Adapter	1
4	16-962	Coupler	1
	16-962-01	Buna-N Gasket	1
5	20-592	200 Gallon Tank (Fiberglass)	1
	20-529	Decal, Spray Star 2000	2
	20-593	Decal, Site Gauge	1
6	20-556	Rear Hood (fiberglass)	1
7	20-611	Roll Bar	1
8	20-561	Roll Bar Base	1
9	31-045	Seat Assembly (Fiberglass)	1
10	14-270	Seat	2
	14-292	Seat Switch	1
11	13-718	Steering Wheel	1
	13-726	Center Cap	1
12	76-364	Square Boot	1
	76-362	Mini Tilt steering	1
13	20-596	Dash Panel	1
14	31-044	Nose Cone (fiberglass)	1
15	32-014	Head Light	2
16	20-535	Main Frame	1
17	76-443	Black Handle	3
	HSTP-516-18-100	Phillips Machine Screw $5/16$ -18 x 1	6
	HNFL-516-18	Flange Whiz Lock Nut $5/16$ -18	6
18	16-857	Front Tire and Wheel	2
	16-857-01	Tire 20 x 10.00 - 10NHS 4-ply	2
	42-161-02	Wheel	2
19	76-198-03	Seat Belt	2
20	20-552	Accessory Mount	1
21	16-225	Tire & Wheel	2
	16-225-01	Tire 24 x 13.00 - 12NHS 4 Ply	2
	16-225-02	Wheel	2
22	17-615	Boom Support Tube	2
23	16-557	Square Cap	2
24	16-851	1" Nipple	1
25	18-448	1" Ball Valve	1

# NOSE CONE DRAWING



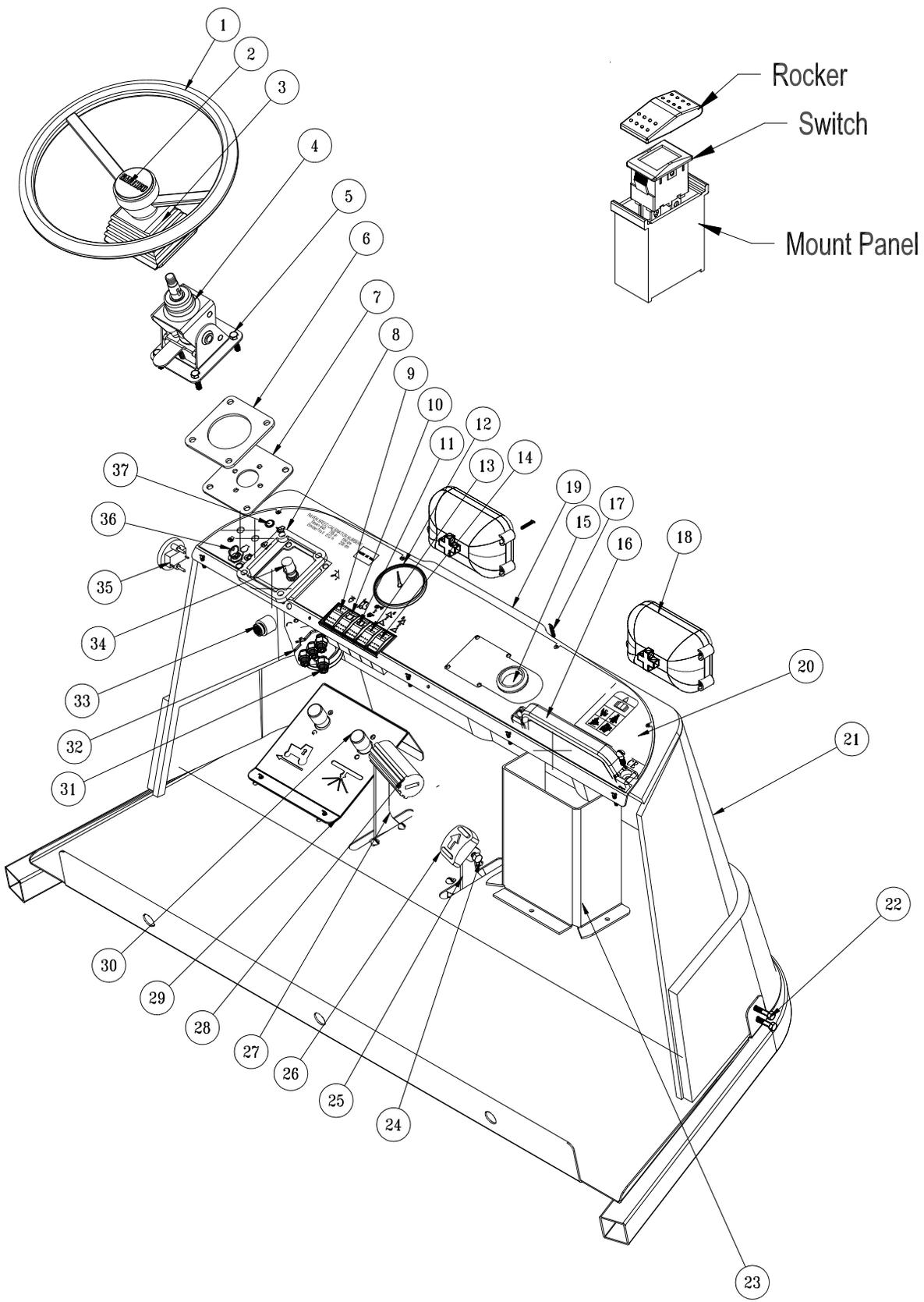
Parts

## NOSE CONE PARTSLIST

REF#	PART#	DESCRIPTION	QUANTITY
1	13-718	15" Steering Wheel	1
2	13-726	Center Cap	1
	27-077	Decal, Smithco Round	1
3	76-364	Square Boot	1
4	76-362	Mini Tilt steering	1
5	HB-516-18-150	Bolt <sup>5</sup> / <sub>16</sub> - 18 x 1 <sup>1</sup> / <sub>2</sub>	4
	HNFL-516-18	Flange Whiz Lock Nut <sup>5</sup> / <sub>16</sub> -18	4
6	15-844	Tilt Steering Spacer	1
7	31-056	Tilt Steering Plate	1
8	31-057	Steering Spacer	1
9	LIGHTS		
	15-725	Mount Panel End	1
	15-727	Rocker, No Light	1
	15-782	Non-Lighted Switch, On-None-Off	1
10	CRUISE		
	15-732	Rocker, Green	1
	15-726	Lighted Switch	1
	15-729	Mount Panel Middle	1
11	PUMP		
	15-731	Rocker, Amber	1
	15-726	Lighted Switch	1
	15-729	Mount Panel Middle	1
12	10-556	Speedometer	1
13	RIGHT BOOM		
	15-727	Rocker, No Light	1
	15-729	Mount Panel Middle	1
	15-728	Centering Switch, Momentary On-Off-On	1
14	LEFT BOOM		
	15-725	Mount Panel End	1
	15-727	Rocker, No Light	1
	15-728	Centering Switch, Momentary On-Off-On	1
15	50-400	Grommet	1
16	76-443	Black Handle	1
	HSTP-516-18-100	Phillips Machine Screw <sup>5</sup> / <sub>16</sub> -18 x 1	2
	HNFL-516-18	Flange Whiz Lock Nut <sup>5</sup> / <sub>16</sub> -18	2
17	HSM-10-32-100	Machine Screw #10 -32 x 1	17
	HNFL-10-32	Flange Whiz Lock Nut #10 -32	17
18	32-014	Head Light	2
19	20-596	Dash Panel	1
20	20-545	Decal, Dash Panel	1
21	31-044	Nose Cone (fiberglass)	1
22	HSTP-516-18-150	Phillips Machine Screw <sup>5</sup> / <sub>16</sub> -18 x 1 <sup>1</sup> / <sub>2</sub>	7
	HNFL-516-18	Flange Whiz Lock Nut <sup>5</sup> / <sub>16</sub> -18	7
23	31-062	Hose Guard	1
24	HB-38-16-125	Bolt <sup>3</sup> / <sub>8</sub> -16 x 1 <sup>1</sup> / <sub>4</sub>	1
	HNTL-38-16	Lock Nut <sup>3</sup> / <sub>8</sub> -16	1
25	31-050	Reverse Pedal	1
26	45-022	Molded Pedal Pad	1

(Continued on next page)

# NOSE CONE DRAWING



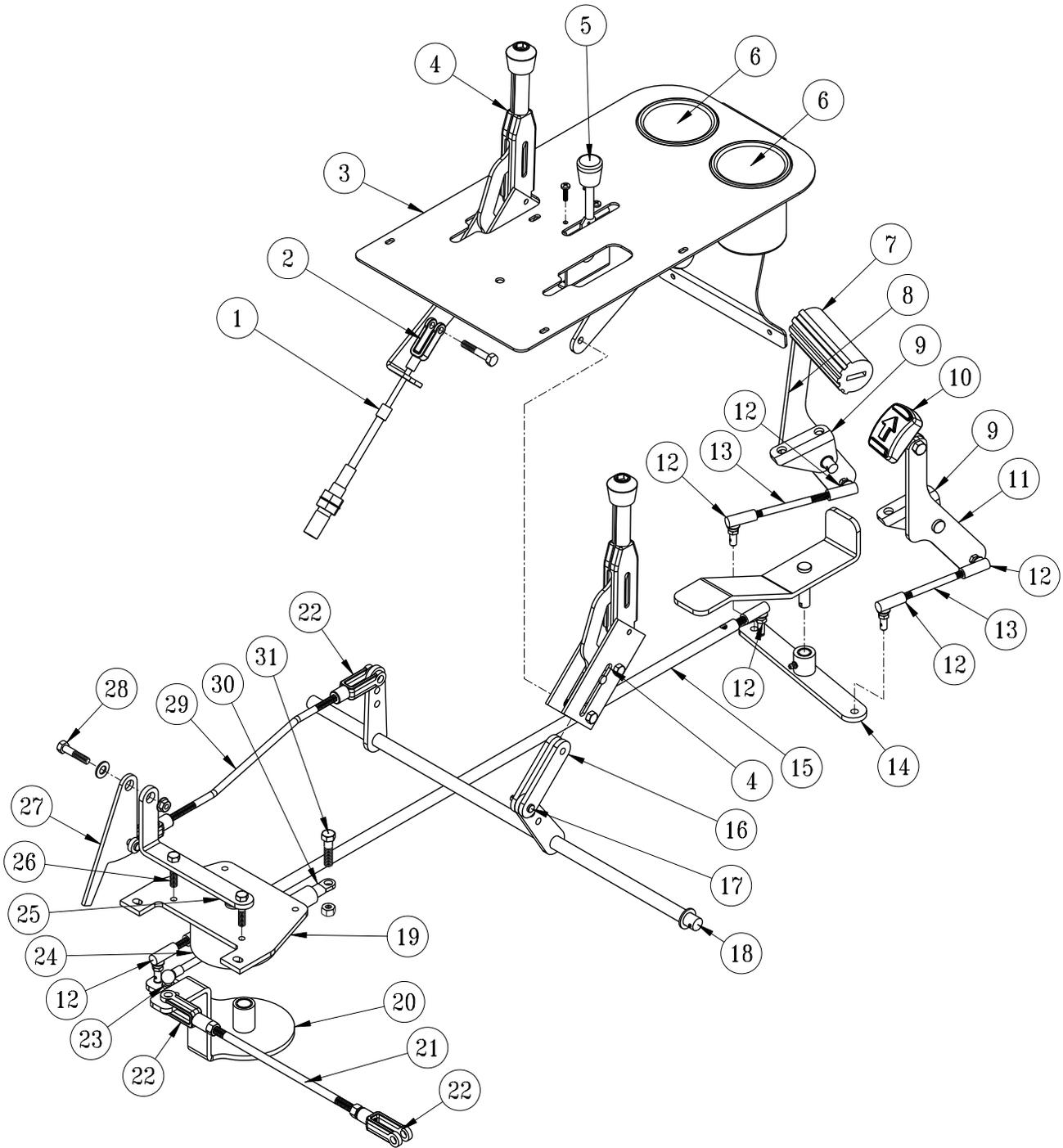
Parts

## NOSE CONE PARTSLIST

REF#	PART#	DESCRIPTION	QUANTITY
27	10-163	Forward Foot Pedal	1
28	48-066	Pedal Grip	1
29	31-049	Button Plate	1
	HB-14-20-075	Bolt $\frac{1}{4}$ -20 x $\frac{3}{4}$	2
	HNFL-14-20	Flange Whiz Lock Nut $\frac{1}{4}$ - 20	2
30	33-509	Master Control Switch	2
	HSTP-14-20-075	Machine Screw $\frac{1}{4}$ -20 x $\frac{3}{4}$	4
31	18-169	Adapter	4
32	15-301	Orbitrol	1
33	77-207	Buzzer	1
34	48-187	Stub shaft	1
35	12-017	Hour Meter	1
36	13-488	Ignition	1
37	50-359	Warning Indicator Light	1

# LINKAGE DRAWING

Parts

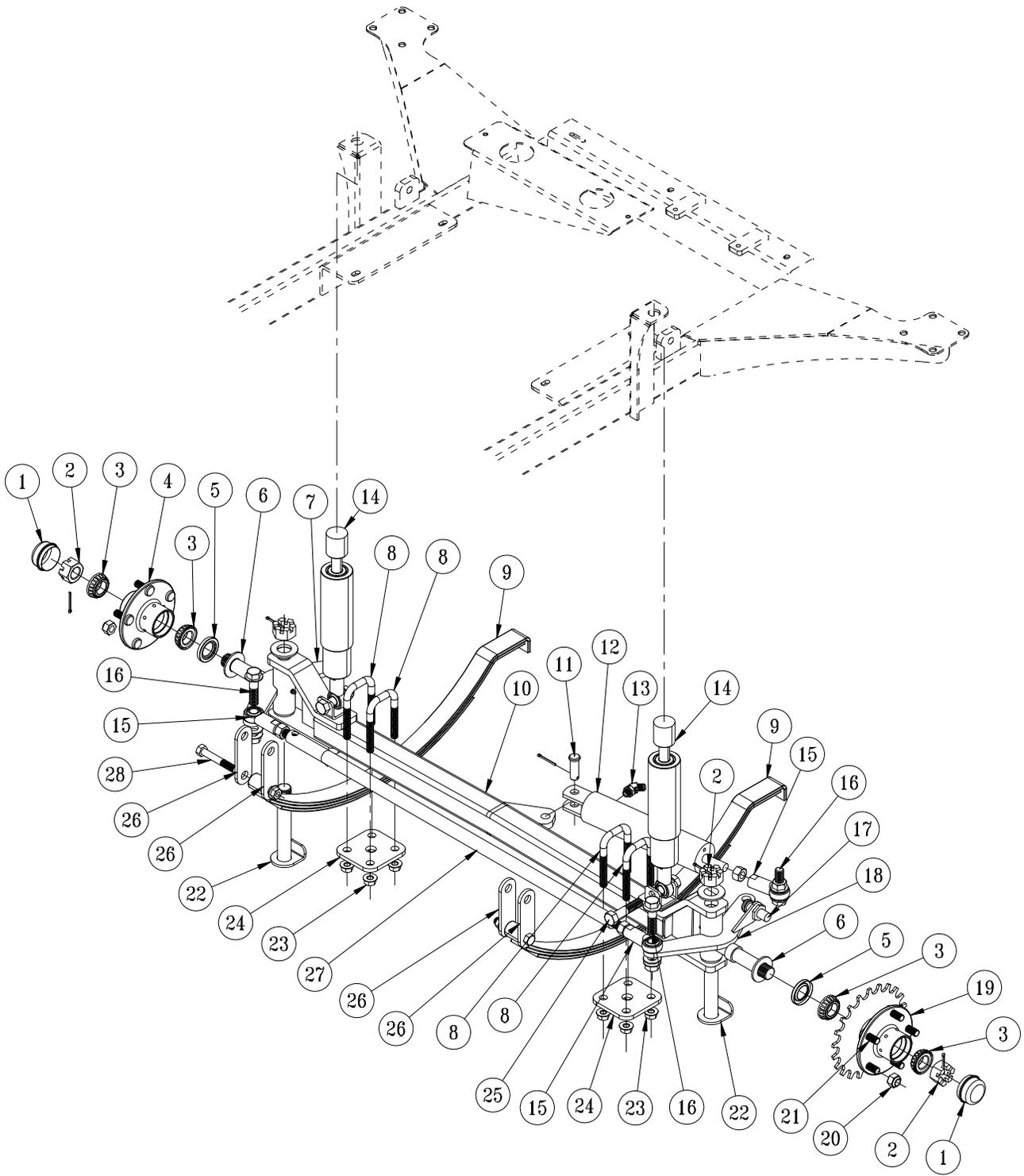


# LINKAGE PARTSLIST

REF#	PART#	DESCRIPTION	QUANTITY
1	50-108	Cable	1
2	11-100	Linkage Yoke	1
	HN-516-24	Nut <sup>5</sup> / <sub>16</sub> - 24	1
	HB-516-18-175	Bolt <sup>5</sup> / <sub>16</sub> - 18 x 1 <sup>3</sup> / <sub>4</sub>	1
	HNTL-516-18	Lock Nut <sup>5</sup> / <sub>16</sub> -18	1
3	20-646	Center Console	1
	20-645	Decal, Center Console	1
4	60-106	Control Lever	2
	HB-516-18-175	Bolt <sup>5</sup> / <sub>16</sub> -18 x 1 <sup>3</sup> / <sub>4</sub>	4
	HW-516	Washer <sup>5</sup> / <sub>16</sub>	2
	HNFL-516-18	Flange Lock Nut <sup>5</sup> / <sub>16</sub> -18	4
5	45-118	Throttle Control with Cable	1
6	15-781	X-large Cup Holder	2
7	48-066	Pedal Grip	1
8	10-163	Forward Foot Pedal	1
9	76-296	Pedal Mount	2
	18-234	Bushing	4
	HG-14-28-180	Grease Zerk	2
10	45-022	Molded Pedal Pad	1
	HB-38-16-125	Bolt <sup>3</sup> / <sub>8</sub> -16 x 1 <sup>1</sup> / <sub>4</sub>	1
	HNTL-38-16	Lock Nut <sup>3</sup> / <sub>8</sub> -16	1
11	31-050	Reverse Pedal	1
12	21-462	Ball Joints <sup>5</sup> / <sub>16</sub> - 24	6
	HWL-516	Lock Washer <sup>5</sup> / <sub>16</sub>	6
	HN-516-24	Nut <sup>5</sup> / <sub>16</sub> - 24	12
13	31-054	Pedal Rod	2
14	10-178	Relay	1
	18-234	Bushing	2
	HG-14-28-180	Grease Zerk	1
	HMB-12-14	Machine Bushing <sup>1</sup> / <sub>2</sub> x 14GA	1
	HP-18-100	Cotter Pin	1
15	20-567	Foot Pedal Rod	1
16	20-565	Spray Boss Link	2
17	HB-516-18-100	Bolt <sup>5</sup> / <sub>16</sub> -18 x 1	1
	HNFL-516-18	Flange Lock Nut <sup>5</sup> / <sub>16</sub> -18	1
18	20-551	Relay Bar	1
	HP-18-100	Cotter Pin	1
19	30-027	Relay Plate	1
20	15-692	Pedal Relay	1
21	20-582	Short Shift Link	1
22	21-351	Linkage Yoke <sup>3</sup> / <sub>8</sub> -24	4
	HN-38-24	Nut <sup>3</sup> / <sub>8</sub> -24	4
23	26-034	Ball Stud, 10mm	1
	HNFL-516-18	Flange Lock Nut, <sup>5</sup> / <sub>16</sub> -18	1
24	33-084	Magnetic Coil	1
25	20-559	Speed Control Pivot Mount	1
26	HB-14-20-100	Bolt <sup>1</sup> / <sub>4</sub> -20 x 1	2
	HNFL-14-20	Flange Lock Nut <sup>1</sup> / <sub>4</sub> -20	2
27	15-706	Speed Boss Arm	1
28	HB-38-16-125	Bolt <sup>3</sup> / <sub>8</sub> -16 x 1 <sup>1</sup> / <sub>4</sub>	1
	HW-38	Washer <sup>3</sup> / <sub>8</sub>	3
	HNTL-38-16	Lock Nut <sup>3</sup> / <sub>8</sub> -16	1
29	20-542	Speed Control Rod	1
30	20-649	Dampner	1
31	HB-38-16-150	Bolt, <sup>3</sup> / <sub>8</sub> -16 x 1 <sup>1</sup> / <sub>2</sub>	1
	HNCL-38-16	Center Lock Nut, <sup>3</sup> / <sub>8</sub> -16	1

# FRONT AXLE DRAWING

Parts

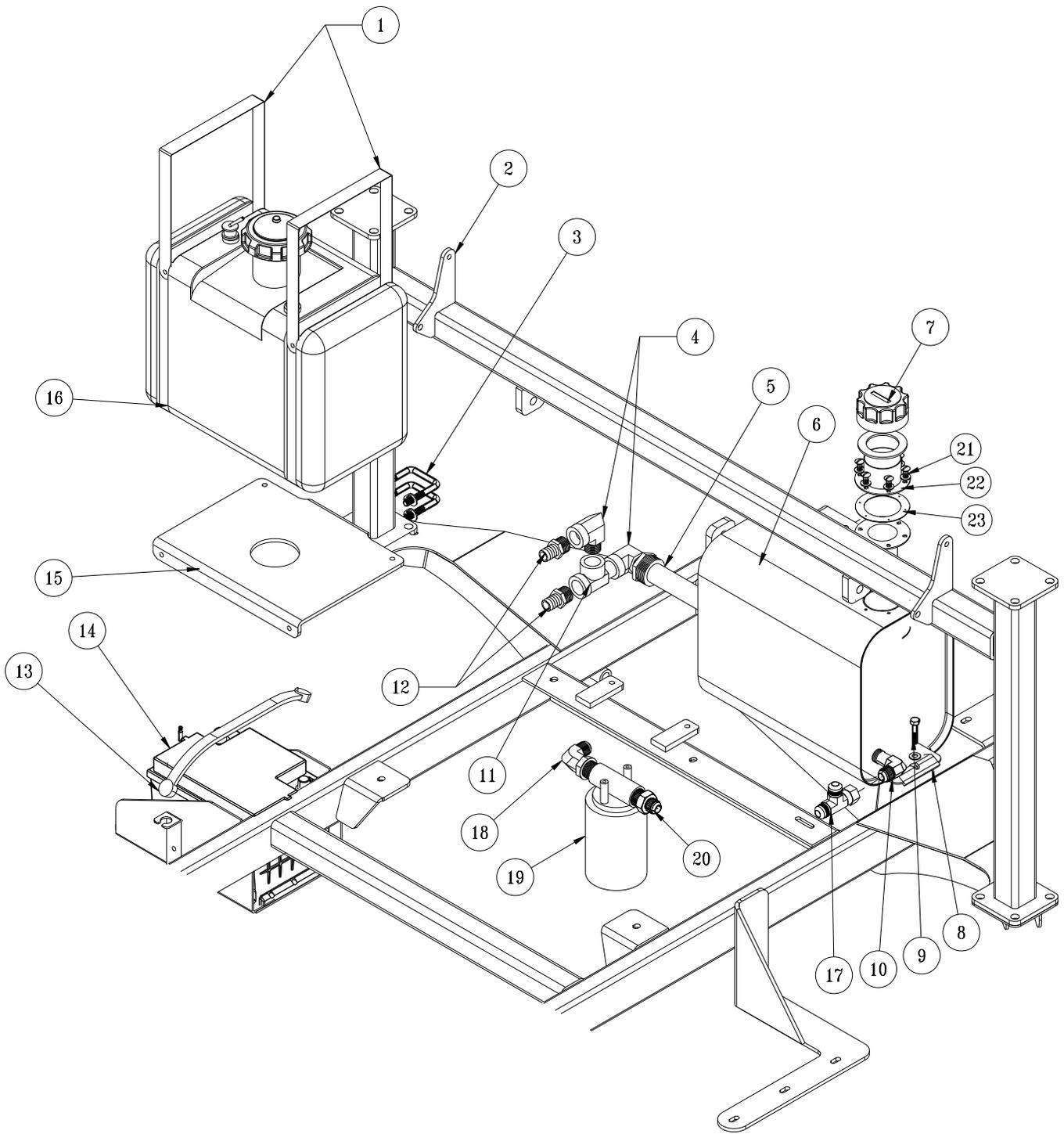


## FRONT AXLE PARTSLIST

REF#	PART#	DESCRIPTION	QUANTITY
1*	80-167	Dust Cap	2
2	HNAR-100-14	Slotted Jam Nut 1 - 14	4
	HP-18-150	Cotter Pin $\frac{1}{8}$ - $1\frac{1}{2}$	4
3*	11-043	Bearing with Races	4
4*	80-019	Hub (includes all * items)	1
5*	11-041	Oil Seal	2
6	HMB-100-10	Machine Bushing 1 x 10GA	2
7	15-696	Left Spindle	1
8	20-555	U-Bolt	4
9	16-042	Leaf Spring	2
10	20-530	Front Axle	1
11	HCP-58-175	Clevis Pin $\frac{5}{8}$ x $1\frac{3}{4}$	1
	HP-18-100	Cotter Pin $\frac{1}{8}$ x 1	1
12	15-839	Hydraulic Cylinder	1
	14-531	Cylinder Seal Kit	1
13	18-188	45° Elbow	2
14	20-617	Shock Absorber	2
15	18-154	Rod End	3
	HG-14-28-90	Grease Fitting $\frac{1}{4}$ - 28 x 90°	3
	HNJ-58-18	Jam Nut $\frac{5}{8}$ - 18	3
16	HB-58-11-250	Bolt $\frac{5}{8}$ - 11 x $2\frac{1}{2}$	3
	HMB-58-14	Machine Bushing $\frac{5}{8}$ x 14GA	6
	HNTL-58-11	Lock Nut $\frac{5}{8}$ - 11	3
17	16-883	Magnetic Sensor	1
18	15-695	Right Spindle	1
19	10-561	Hub & Sprocket (includes all * items)	1
20*	HNL-12-20	Lug Nut $\frac{1}{2}$ - 20	10
21*	27-022-02	Stud	10
22	16-076	King Pin	2
23	HNFL-12-13	Flange Lock Nut $\frac{1}{2}$ - 13	8
24	20-538	Spring Mount	2
25	HB-58-11-300	Bolt $\frac{5}{8}$ - 11 x 3	2
	HNTL-58-11	Lock Nut $\frac{5}{8}$ - 11	2
26	20-539	Spring Shackle	4
27	14-573	Tie Rod	1
28	HB-916-18-325	Bolt $\frac{9}{16}$ - 18 x $3\frac{1}{4}$	4
	HNTL-916-18	Lock Nut $\frac{9}{16}$ - 18	4

# OIL AND FUEL TANK DRAWING

Parts

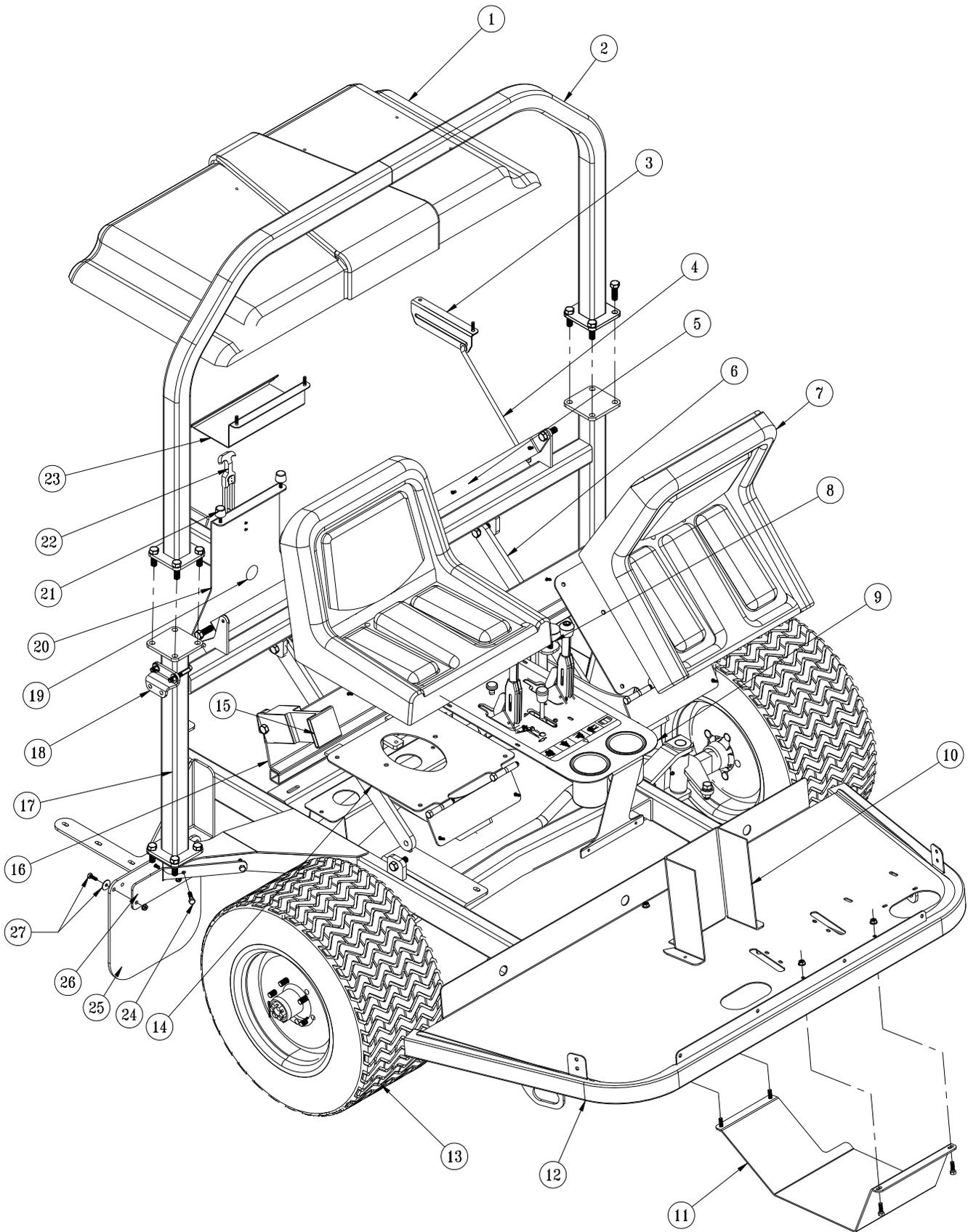


## OIL AND FUEL TANK PARTS LIST

REF#	PART#	DESCRIPTION	QUANTITY
1	78-456	Tank Strap	2
	HB-14-20-075	Bolt $\frac{1}{4}$ - 20 x $\frac{3}{4}$	2
	HB-14-20-175	Bolt $\frac{1}{4}$ - 20 x $1\frac{3}{4}$	2
	HNFL-14-20	Flange Lock Nut $\frac{1}{4}$ - 20	4
2	20-561	Roll Bar Base	1
3	17-537	Square U-Bolt	2
4	18-140	Street Elbow	2
5	60-213	Strainer	1
6	60-473	Oil Tank	1
7	13-747	Filler Breather	1
	13-586-01	Cap Gasket	1
8	75-792	Tank Hold Down	2
9	HB-516-18-150	Bolt $\frac{5}{16}$ - 18 x $1\frac{1}{2}$	2
	HW-516	Washer $\frac{5}{16}$	2
	HNFL-516-18	Flange Lock Nut $\frac{5}{16}$ - 18	2
10	23-187	Male Elbow	1
11	18-093	Straight Tee	1
12	18-249	Barb Fitting	2
13	8-603	Battery Strap - Rubber	1
14	33-216	Battery	1
15	20-568	Gas Tank Plate	1
16	15-838	Gas Tank	1
	15-838-01	Fuel Gauge	1
	42-814-02	Vented Cap	1
	42-814-05	Roll Over Vavle	1
17	34-058	Swivel Tee	1
18	18-204	Elbow	1
19	20-576	Oil Filter Assembly	1
20	15-702	Adapter	1
21	HSM-10-32-063	Machine Screw 10 - 32 x $\frac{5}{8}$	6
	HWL-10	Lock Washer 10	6
22	13-586-03	Neck	1
23	13-586-02	Bottom Gasket	1
NS	8800-16	$\frac{1}{4}$ " Fuel Hose x 16"	1
NS	8800-21	$\frac{1}{4}$ " Fuel Hose x 21"	1
NS	8800-24	$\frac{1}{4}$ " Fuel Hose x 24"	1
NS	18-186	Hose Clamp	6

# SEAT PANEL DRAWING

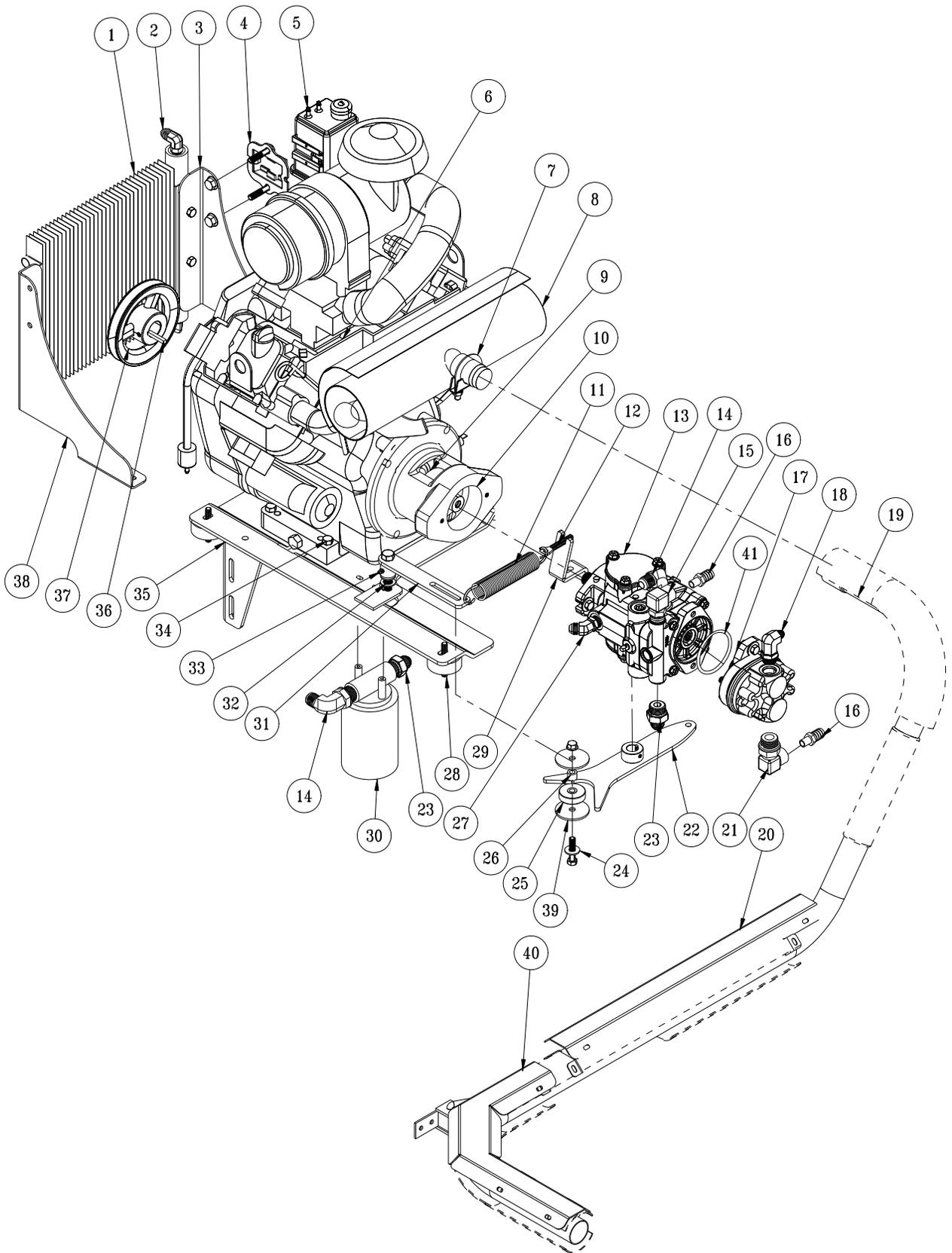
Parts



## SEAT PANEL PARTSLIST

REF#	PART#	DESCRIPTION	QUANTITY
1	20-556	Rear Hood (fiberglass)	1
2	20-611	Roll Bar	1
	HB-12-13-150	Bolt $\frac{1}{2}$ -13 x $1\frac{1}{2}$	16
	HNFL-12-13	Flange Lock Nut $\frac{1}{2}$ -13	16
3	20-548	Hood Prop Bracket	1
4	20-558	Hood Rod	1
	HW-38	Washer $\frac{3}{8}$	2
	HP-18-100	Cotter Pin $\frac{3}{8}$ x 1	2
5	20-554	Hinge	1
6	20-580	Roll Bar Brace	2
	HB-12-13-150	Bolt $\frac{1}{2}$ -13 x $1\frac{1}{2}$	4
	HNFL-12-13	Flange Lock Nut $\frac{1}{2}$ -13	4
7	14-270	Seat	2
	14-292	Seat Switch	1
8	50-081	Rubber Bumper	4
	HNFL-38-16	Flange Whiz Lock Nut $\frac{3}{8}$ -16	4
9	20-536	Center Console	1
10	31-062	Hose Guard	1
11	30-288	Pedal Guard	1
	HB-516-18-100	Bolt, $\frac{5}{16}$ - 18 x 1	4
	HNFL-516-18	Flange Lock Nut, $\frac{5}{16}$ - 18	4
12	20-535	Main Frame	1
13	16-857	Front Tire and Wheel	2
	16-857-01	Tire 20 x 10.00 - 10NHS 4-ply	2
	42-161-02	Wheel	2
14	31-052	Seat Panel	2
15	76-198-03	Seat Belt	2
	HB-716-14-100	Bolt $\frac{7}{16}$ - 14 x 1	2
	HNTL-716-14	Lock Nut $\frac{7}{16}$ - 14	2
16	31-066	Seat Frame	1
17	20-561	Roll Bar Base	1
18	20-543	Strainer Mount	1
	17-537	Square U-Bolt	1
19	18-134	Rubber Grommet	1
20	20-550	Hood Rest	1
21	15-013	Rubber Bumper	2
	HNFL-14-20	Flange Nut $\frac{1}{4}$ -20	2
22	15-437	Hold Down	1
	HSM-10-32-112	Machine Screw 10 -32 - $1\frac{1}{8}$	2
	HNFL-10-32	Flange Lock Nut 10-32	2
23	20-549	Hood Bumper Pad	1
24	HB-516-18-100	Bolt, $\frac{5}{16}$ - 18 x 1	4
	HNFL-516-18	Flange Lock Nut, $\frac{5}{16}$ - 18	4
25	20-659	Mud Flap	2
26	20-661	RH Front Mud Flap Bracket	1
	20-662	LH Front Mud Flap Bracket (not shown)	1
27	HB-14-20-075	Bolt $\frac{1}{4}$ -20 x $\frac{3}{4}$	6
	HWF-14	Fender Washer $\frac{1}{4}$	6
	HNFL-14-20	Flange Lock Nut $\frac{1}{4}$ -20	6

# ENGINE AND PUMPS DRAWING



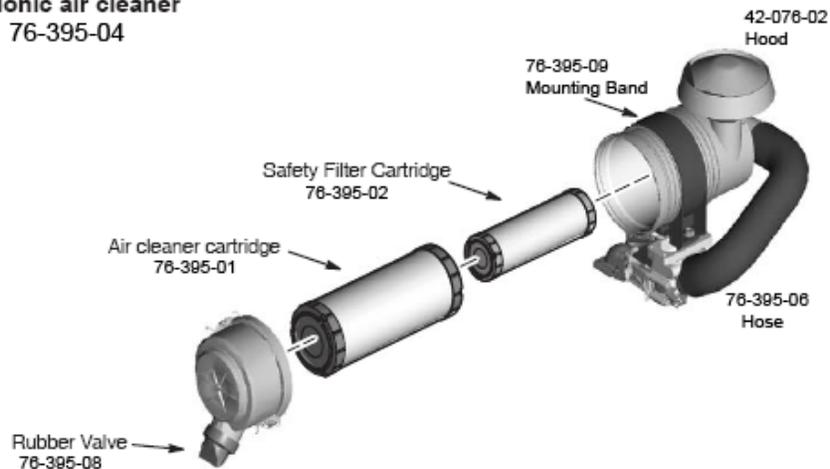
Parts

## ENGINE AND PUMPS PARTSLIST

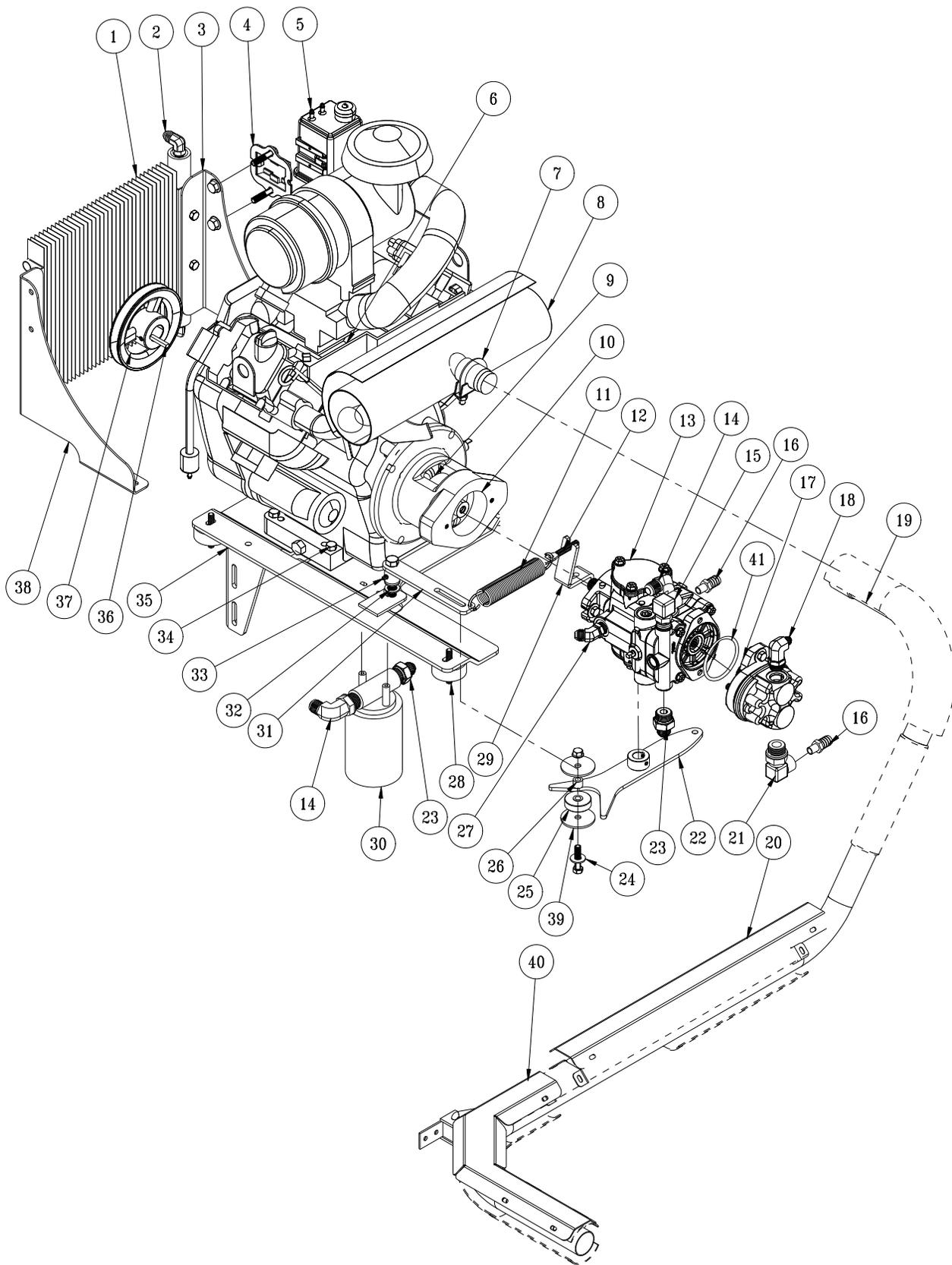
REF#	PART#	DESCRIPTION	QUANTITY
1	15-624	Oil Cooler	1
	HB-516-18-075	Bolt $\frac{5}{16}$ -18 x $\frac{3}{4}$	4
	HNFL-516-18	Flange Lock Nut $\frac{5}{16}$ -18	4
2	18-438	Fitting	2
3	20-532	Right Oil Cooler Mount	1
4	8-688	Carbon Canister Mount	1
	HB-516-18-075	Bolt $\frac{5}{16}$ - 18 x $\frac{3}{4}$	2
	HNFL-516-18	Flange Lock Nut $\frac{5}{16}$	2
5	8-689	Carbon Canister Assembly	1
6	76-484	Engine, Briggs & Stratton 31 HP	1
	76-487	Engine Oil Filter	1
	76-446-01	Stub Shaft	1
	21-161	Wire Block	1
7	50-394	Muffler Clamp	1
8	76-447	Center Mount Muffler	1
9	76-465	Coupling Complete	1
	76-466	$\frac{7}{8}$ " Coupling Half	1
	76-467	$1\frac{1}{8}$ " Coupling Half	1
	76-468	Sleeve	1
	32-026	Pump Adapter	1
11	21-445	Spring	1
12	42-604	Spade Bolt	1
	HNFL-38-16	Flange Lock Nut $\frac{3}{8}$ - 16	2
13	76-482	Hydrostatic Pump	1
	HB-38-16-125	Bolt $\frac{3}{8}$ - 16 x $1\frac{1}{4}$	2
	HW-38	Washer $\frac{3}{8}$	2
	HWL-38	Lock Washer $\frac{3}{8}$	2
14	18-204	Elbow	2
15	23-130	Elbow	1
16	18-133	Barb Fitting	2
17	76-197	Gear Pump	1
	HB-38-16-100	Bolt $\frac{3}{8}$ -16 x 1	2
	HW-38	Washer $\frac{3}{8}$	2
	HWL-38	Lock Washer $\frac{3}{8}$	2
18	32-022	Straight Thread Elbow	1
19	20-633	Exhaust Assembly	1

(Continued on Next Page)

### Cyclonic air cleaner 76-395-04



# ENGINE AND PUMPS DRAWING

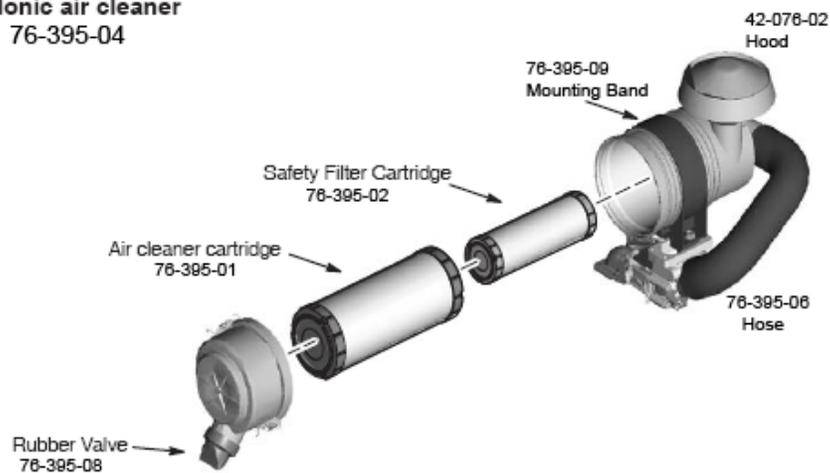


Parts

## ENGINE AND PUMPS PARTSLIST

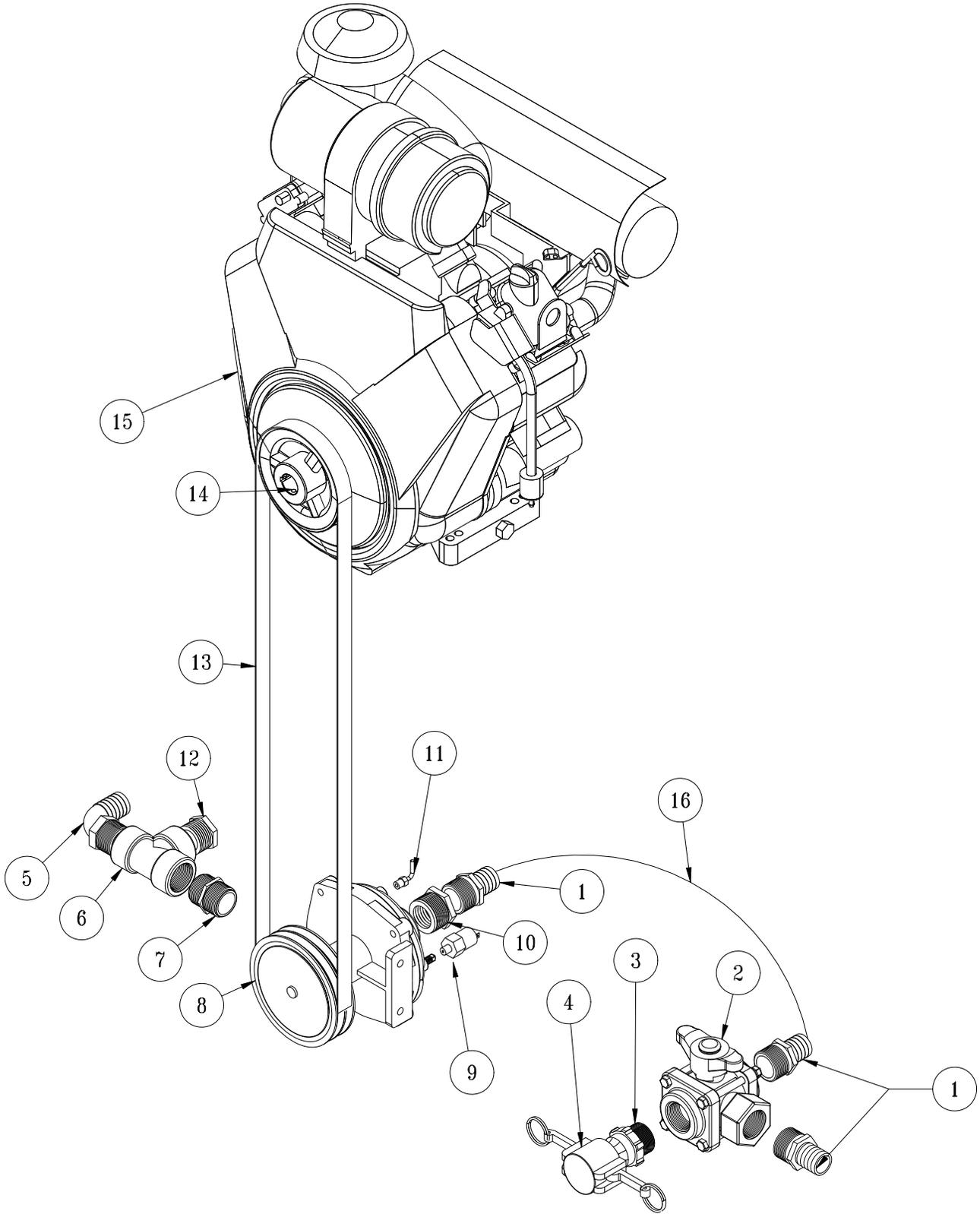
REF#	PART#	DESCRIPTION	QUANTITY
20	20-632	Long Exhaust Shield	1
21	23-133	90° Adjustable Elbow	1
22	20-569	Centering Arm	1
23	15-702	Adapter	2
24	HB-38-16-175	Bolt $\frac{3}{8}$ -16 x $1\frac{3}{4}$	1
	HW-38	Washer $\frac{3}{8}$	1
	HNTL-38-16	Lock Nut $\frac{3}{8}$ -16	1
25	14-266	Ball Bearing	1
26	18-270	Spacer	1
27	18-266	45° Elbow	1
28	11-021	Engine Mount	4
	HWL-38	Lock Washer $\frac{3}{8}$	8
	HN-38-24	Nut $\frac{3}{8}$ - 24	8
29	20-566	Spring Mount	1
30	20-576	Oil Filter Assembly	1
31	20-581	Idler Arm	1
32	HB-12-13-300	Bolt $\frac{1}{2}$ - 13 x 3	1
	HMB-12-14	Machine Bushing $\frac{1}{2}$ x 14GA	2
	HWL-12	Lock Washer $\frac{1}{2}$	1
	HN-12-13	Nut $\frac{1}{2}$ -13	1
33	HG-14-28-180	Grease Zerk $\frac{1}{4}$ -28 x 180°	1
34	HB-716-14-150	Bolt $\frac{7}{16}$ - 14 x $1\frac{1}{2}$	4
	HWL-716	Lock Washer $\frac{7}{16}$	4
35	20-541	Engine Plate	1
36	HKSQ-14-150	Square Key $\frac{1}{4}$ - $1\frac{1}{2}$	1
37	15-703	Pulley	1
38	20-533	Left Oil Cooler Mount	1
39	20-594	Guide Disk	2
40	20-636	Outlet Exhaust Shield	1
41	23-145	O-ring	1

**Cyclonic air cleaner**  
76-395-04



# PUMP DRAWING

Parts

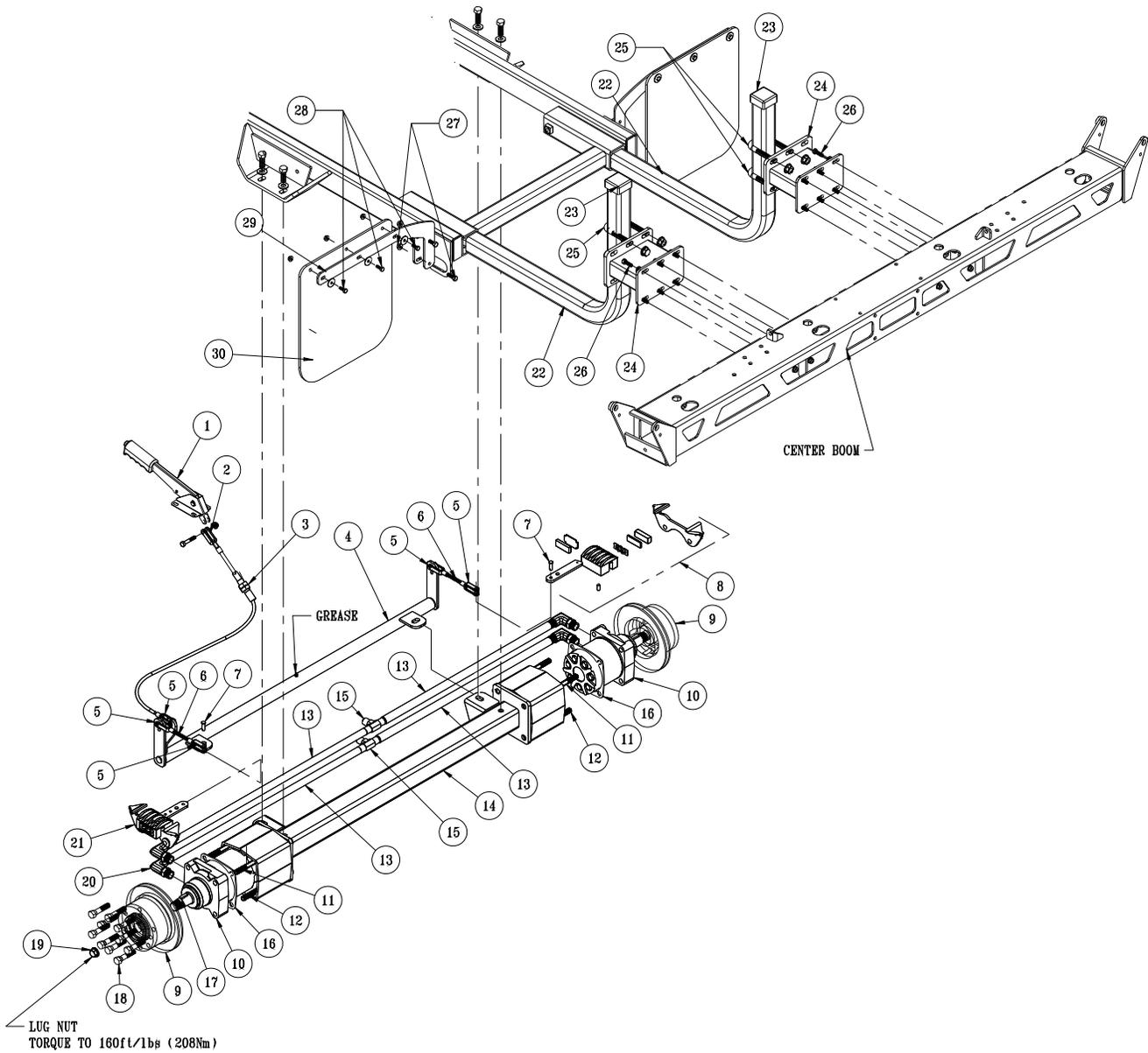


## PUMP PARTSLIST

REF#	PART#	DESCRIPTION	QUANTITY
1	16-161	Fitting	3
2	18-372	3-Way Valve	1
3	16-180	Quick Coupler	1
4	16-935	Quick Coupler Cap	1
5	16-156	Elbow	1
6	18-390	Pipe Tee	1
7	16-880	Close Nipple	1
8	16-998	Hypro® Pump	1
9	33-480	Pressure Switch	1
10	16-973	Reducer	1
11	33-494	Male Elbow	1
	8954-41	<sup>3</sup> / <sub>16</sub> Clear Hose	1
12	10-389	Plug	1
13	30-137	V-Belt	1
14	15-703	Pulley	1
	HKSQ-14-150	Square Key <sup>1</sup> / <sub>4</sub> - 1 <sup>1</sup> / <sub>2</sub>	1
15	76-484	Engine, Briggs & Stratton 31 HP	1
16	8897-44	Discharge Hose	1
	18-116	Hose Clamp	2

# REAR AXLE DRAWING

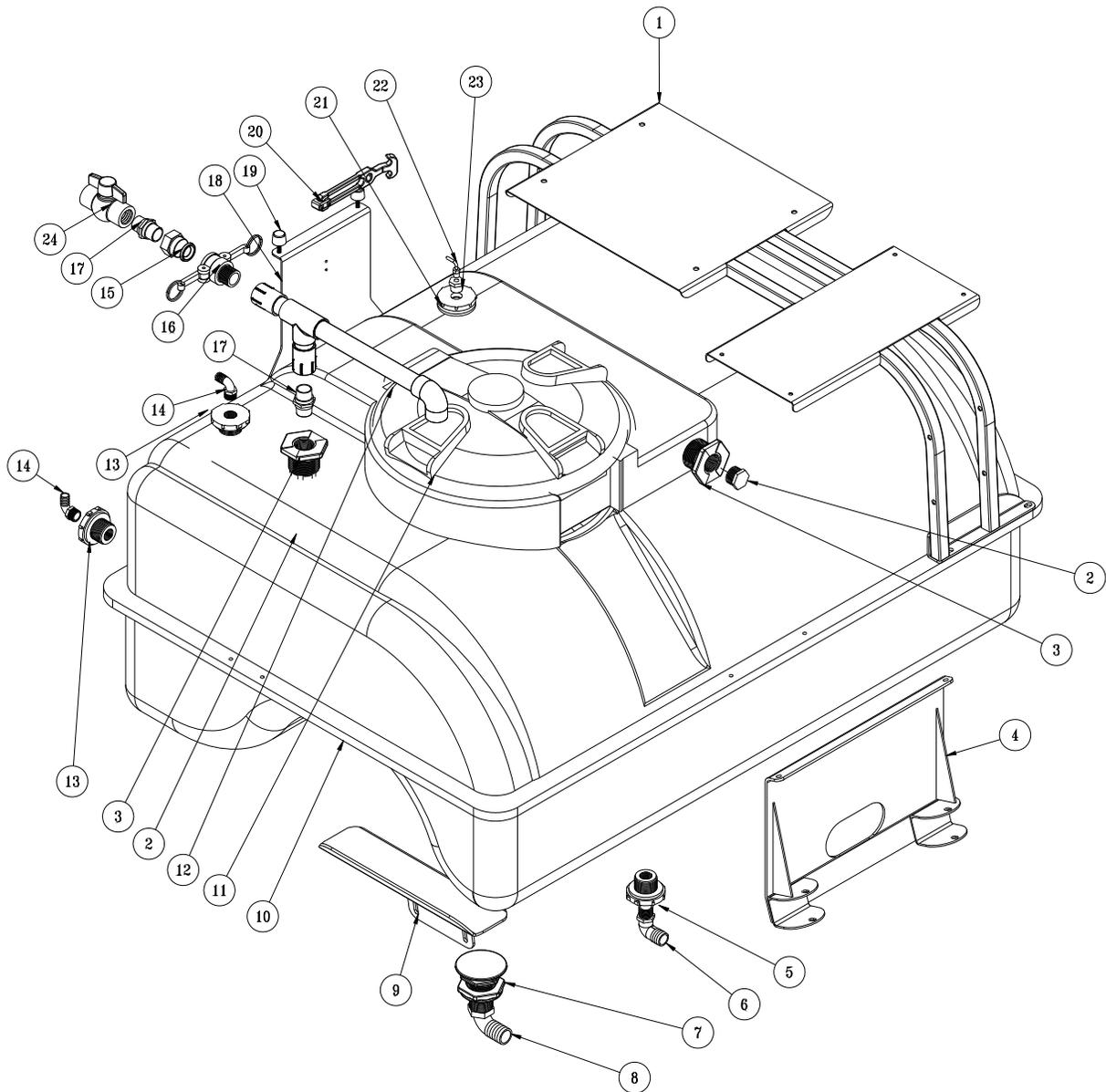
Parts



## REAR AXLE PARTSLIST

REF#	PART#	DESCRIPTION	QUANTITY
1	60-106	Park Brake Handle	1
2	11-100	Linkage Yoke	1
3	50-108	Cable	1
	60-536	Bellows	1
4	15-691	Brake Relay	1
5	11-100	Linkage Yoke <sup>5</sup> / <sub>16</sub>	4
	HN-516-24	Nut <sup>5</sup> / <sub>16</sub> -24	4
6	34-021	Rod	2
7	HCP-516-100	Clevis Pin <sup>5</sup> / <sub>16</sub> x 1	4
	HP-18-075	Cotter Pin <sup>1</sup> / <sub>8</sub> x <sup>3</sup> / <sub>4</sub>	4
8	76-241	Right Caliper CW	1
	34-101-02	Pad Kit	1
9	76-239	Brake Disc 8"	2
10	43-116	Wheel Motor (includes * items)	2
	14-080	Wheel Motor Seal Kit	2
11	HB-12-13-800	Bolt <sup>1</sup> / <sub>2</sub> - 13 x 8	4
	HNFL-12-13	Flange Whiz Lock Nut <sup>1</sup> / <sub>2</sub> -13	4
12	HB-12-13-750	Bolt <sup>1</sup> / <sub>2</sub> - 13 x 7 <sup>1</sup> / <sub>2</sub>	4
	HNFL-12-13	Flange Whiz Lock Nut <sup>1</sup> / <sub>2</sub> -13	4
13	15-681	Hydraulic Hose	4
14	20-531	Rear Axle	1
15	34-057	Tee	2
16	20-595	Wheel Motor Spacer	2
17*	HWK-516-100	Woodruff Key <sup>5</sup> / <sub>16</sub> x 1	2
18	60-268	Lug Bolt <sup>1</sup> / <sub>2</sub> - 20	10
19*	14-265	Nut 1 - 20	2
20	34-122	Short Elbow	4
21	76-240	Left Caliper CCW	1
22	17-615	Boom Tube	2
23	16-557	Square Cap	2
24	17-614	Boom Spacer	2
25	20-555	U-Bolt	4
	HNFL-12-13	Flange Nut <sup>1</sup> / <sub>2</sub> - 13	8
26	HB-516-18-100	Bolt <sup>5</sup> / <sub>16</sub> -16 x 1	12
	HW-516	Washer <sup>5</sup> / <sub>16</sub>	12
	HNFL-516-18	Flange Nut <sup>5</sup> / <sub>16</sub> -16	12
27	HB-516-18-100	Bolt <sup>5</sup> / <sub>16</sub> -16 x 1	4
	HNFL-516-18	Flange Nut <sup>5</sup> / <sub>16</sub> -16	4
28	HB-14-20-075	Bolt <sup>1</sup> / <sub>4</sub> -20 x <sup>3</sup> / <sub>4</sub>	6
	HWF-14	Fender Washer <sup>1</sup> / <sub>4</sub>	6
	HNFL-14-20	Flange Lock Nut <sup>1</sup> / <sub>4</sub> -20	6
29	20-547	Rear Mud Flap Bracket	2
30	20-657	Mud Flap	2

# TANK DRAWING

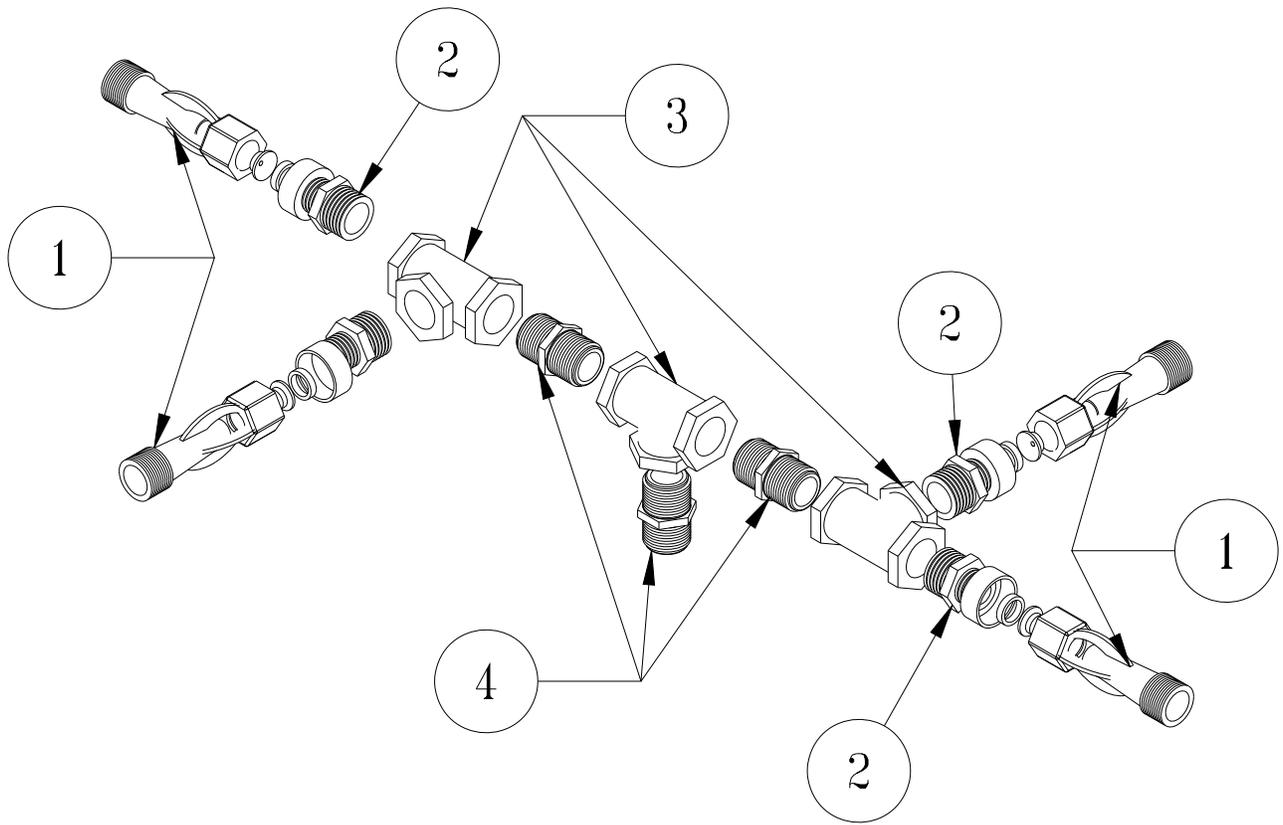


Parts

# TANK PARTSLIST

REF#	PART#	DESCRIPTION	QUANTITY
1	20-552	Accessory Mount	1
2	16-162	Hex Plug 1"	2
3	16-945	Double Thread Fitting	2
4	20-537	Tank Support	1
5	16-150	Double Thread Fitting (part of tank)	1
6	16-155	Elbow	1
7	16-194	Anti-Vortex Fitting (part of tank)	1
8	16-156	Elbow	1
9	20-534	Tank Pad	2
10	20-592	200 Gallon Tank (Fiberglass)	1
	20-529	Decal, Spray Star 2000	2
	20-593	Decal, Site Gauge	1
11	16-953	16" Lid	1
	16-953-01	Gasket for Lid	1
	16-169	Strainer Basket	1
12	14-365	Air Gap Filler	1
13	16-150	Double Thread Fitting	2
14	16-185	Elbow	2
	8902-32	Clear Flo Tubing 32"	1
	18-224	Hose Clamps	2
15	16-961	Adapter	1
16	16-962	Coupler	1
	16-962-01	Buna-N Gasket	1
17	16-851	Close Nipple	2
18	20-550	Hood Rest	1
19	15-013	Rubber Bumper	2
	HNFL-14-20	Flange Nut 1/4 -20	2
20	15-437	Hold Down	1
	HSM-10-32-112	Machine Screw 10 -32 -1 1/8	2
	HNFL-10-32	Flange Lock Nut 10-32	2
21	33-495	Bulk Head Fitting	1
22	33-494	Male Elbow	1
	8954-41	3/16 Clear Hose	1
23	33-496	Reducer Bushing	1
24	18-448	1" Ball Valve	1
NS	20-663	EDPM Tank Lid Gasket	1

# TURBO-QUADAGITATOR DRAWING

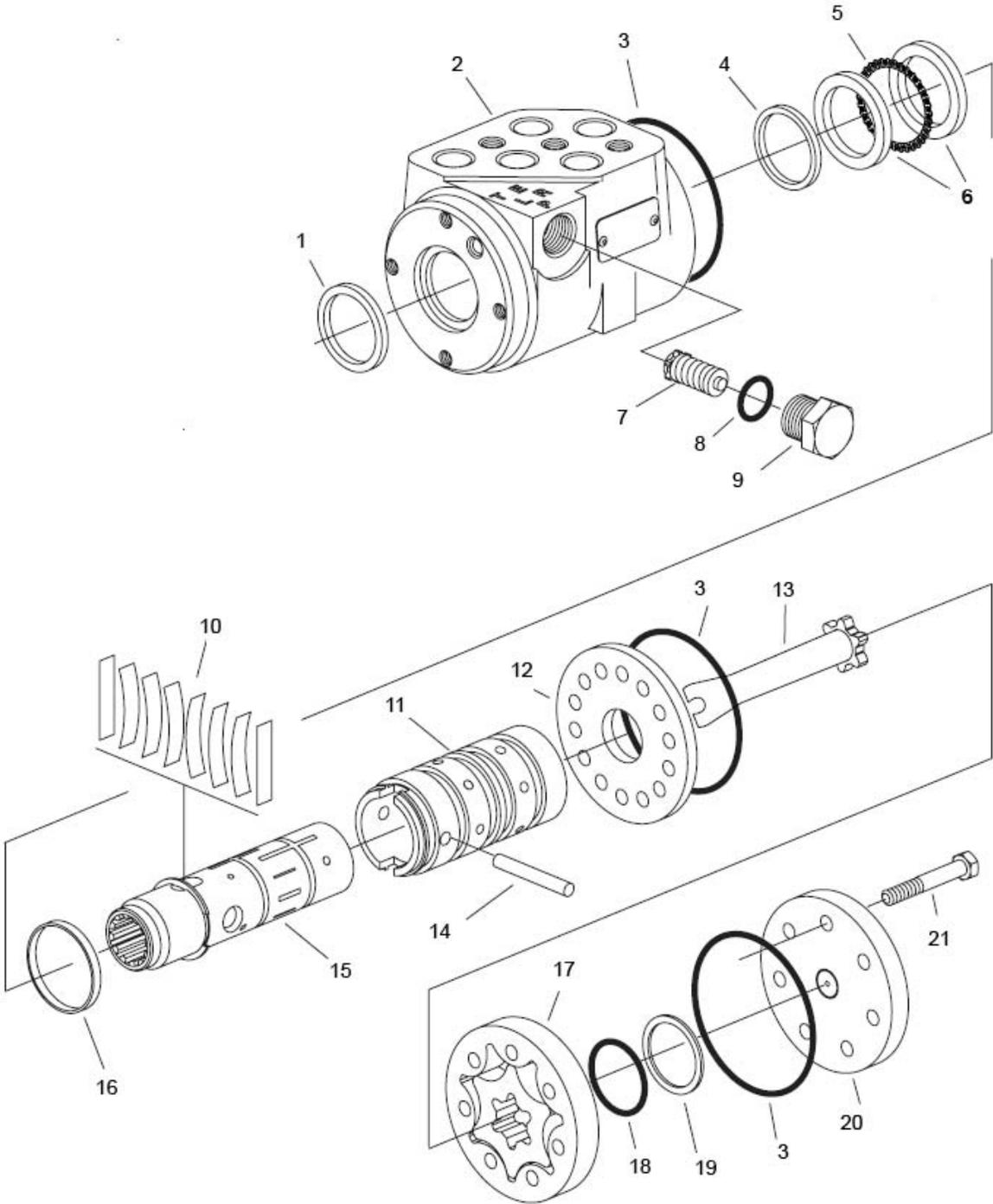


Parts

## TURBO-QUAD AGITATOR PARTS LIST

REF#	PART#	DESCRIPTION	QUANTITY
1	16-036	Agitator Jet (Includes one each $\frac{1}{8}$ ", $\frac{5}{53}$ ", and $\frac{3}{16}$ " orifices)	4
2	16-173	Reducer $\frac{3}{4}$ x $\frac{1}{2}$	4
3	16-157	Female Pipe Thread Tee $\frac{3}{4}$ x $\frac{3}{4}$ x $\frac{3}{4}$	3
4	16-158	Close Nipple $\frac{3}{4}$ x $\frac{3}{4}$	3

# 15-301 ORBITROL DRAWING



Parts

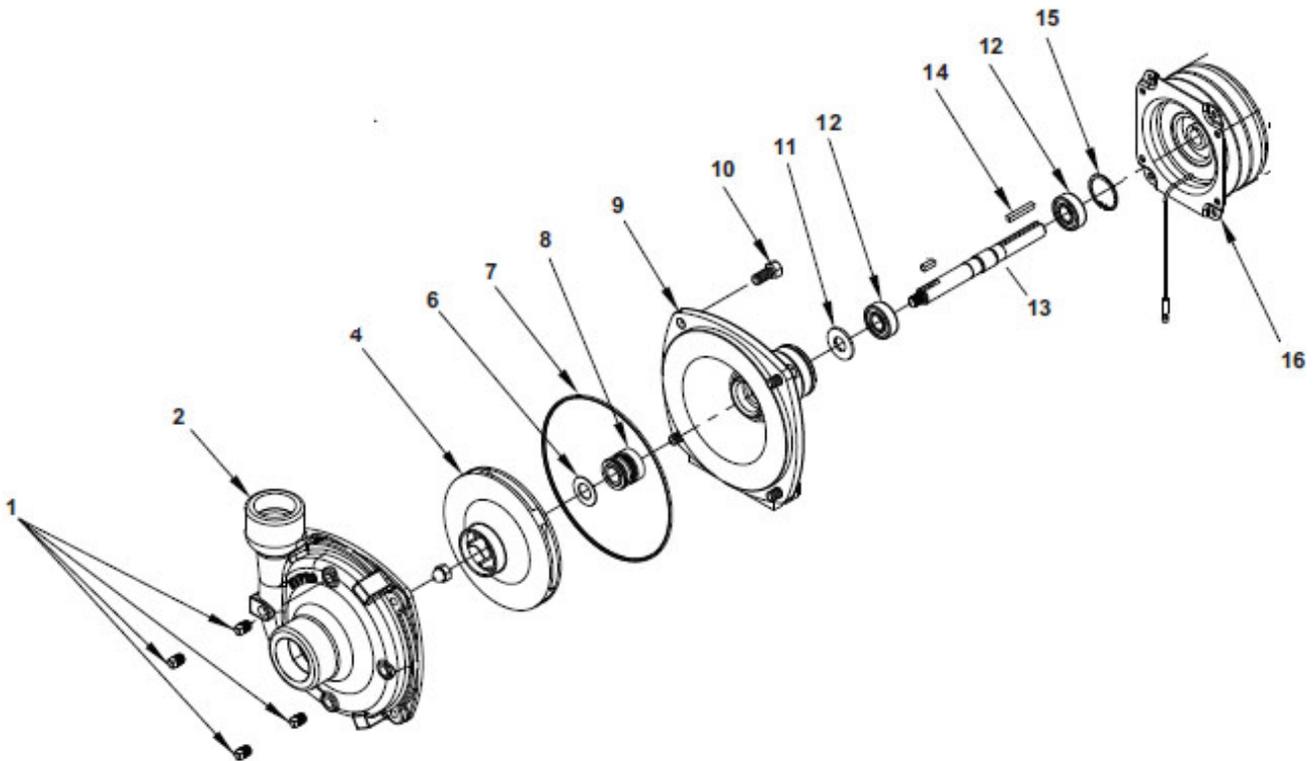
## 15-301 ORBITROL PARTSLIST

REF #	PART #	DESCRIPTION	QUANTITY
1	10-576-04	Dust Seal	1
2		Housing	1
3**		O-Ring Seal	3
4**		Quad Seal	1
5	10-576-03	Thrust Bearing	1
6	10-576-02	Bearing Race	2
7		Manual Steering Relief Valve	1
8**		O-ring	1
9		Plug	1
10‡		Standard Torque Centering Springs	1
11		Sleeve	1
12	15-301-06	Wear Plate	1
13	10-576-01	Drive	1
14	15-301-08	Drive Pin	1
15		Spool	1
16‡		Spring Retaining Ring	1
17	10-576-05	Gerotor	1
18**		O-Ring	1
19**		Seal Ring	1
20	15-301-03	End Cap	1
21	10-576-06	Cap Screw	7
**	15-301-01	Seal Kit	1
‡	15-301-15	Centering Spring Kit	1

### 15-301 ORBITROL SPECIFICATIONS

Inlet Relief Valve Setting	1020 psi (70 bar)
Nominal Flow	3 gpm (11 lpm)
Displacement	4.50 cu. in/ R (73.8 cu cm/R)
Check Valve for Manual Steering	Yes
Inlet Pressure Rating	2030 psi (140 bar)
Return Pressure Rating	145 psi (10 bar) Maximum
Fluid	SAE 10W-40 API Service SJ or higher Motor Oil
Ports	9/16 - 18 SAE O-Ring 4 Ports

# 16-998 HYPRO® PUMP



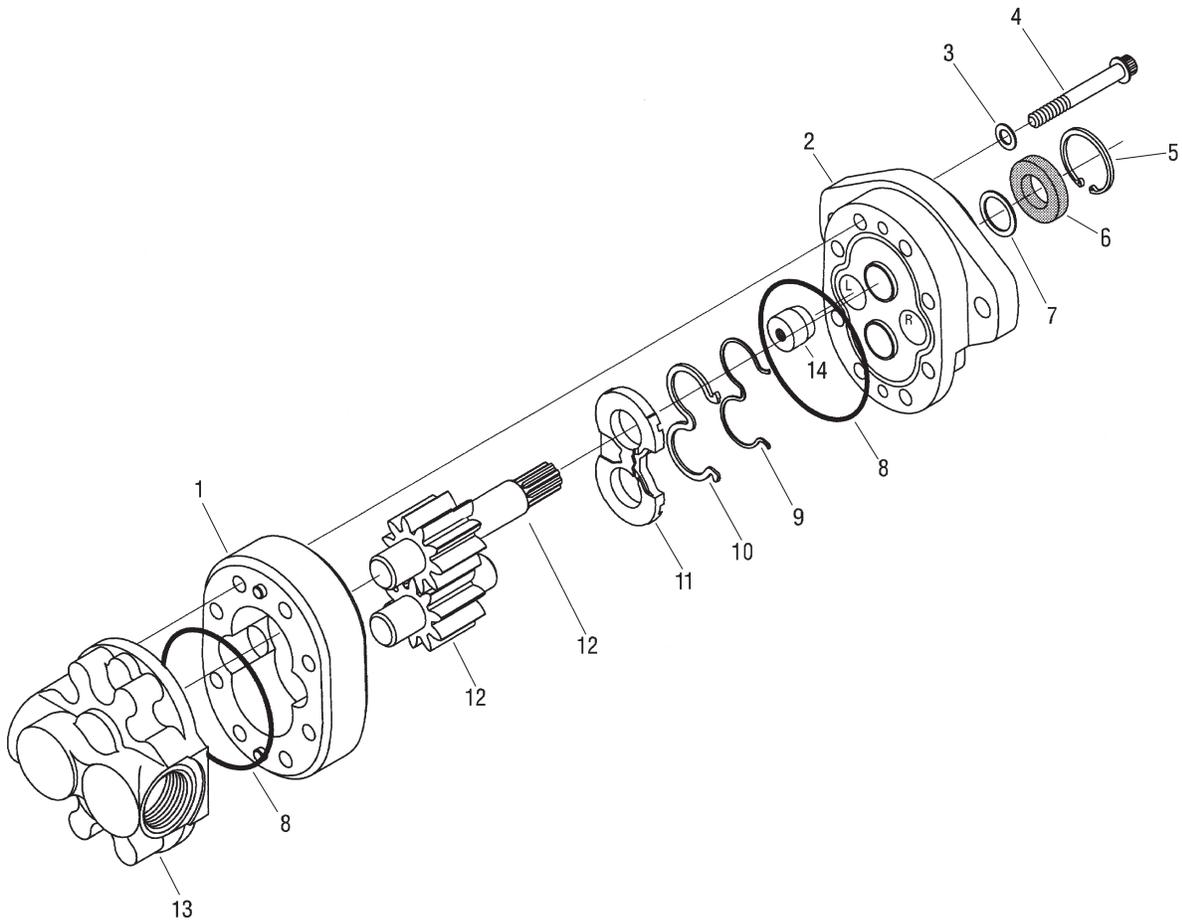
Parts

REF#	PART#	DESCRIPTION	QUANTITY
1	16-998-01	Drain Plug	4
2	16-998-02	Pump Casing	1
4	16-966-16	Impeller	1
6	16-998-10	Gasket	1
7*	16-998-04	O-Ring	1
8*	16-998-05	Mechanical Seal (Silicon Carbide)	1
9	16-998-06	Mounting Flange	1
10	16-998-07	Bolt	
11	16-966-06	Slinger Ring	1
12	16-966-10	Ball Bearing	2
13	16-998-09	Pump Shaft	1
14	16-822-20	Key	1
15	16-966-13	Bearing Retainer	1
16	16-994-01	Clutch	1
	16-998-12	Pump Only	
*	16-967	Silicone - Carbon Seal Kit	

**NOTE:**

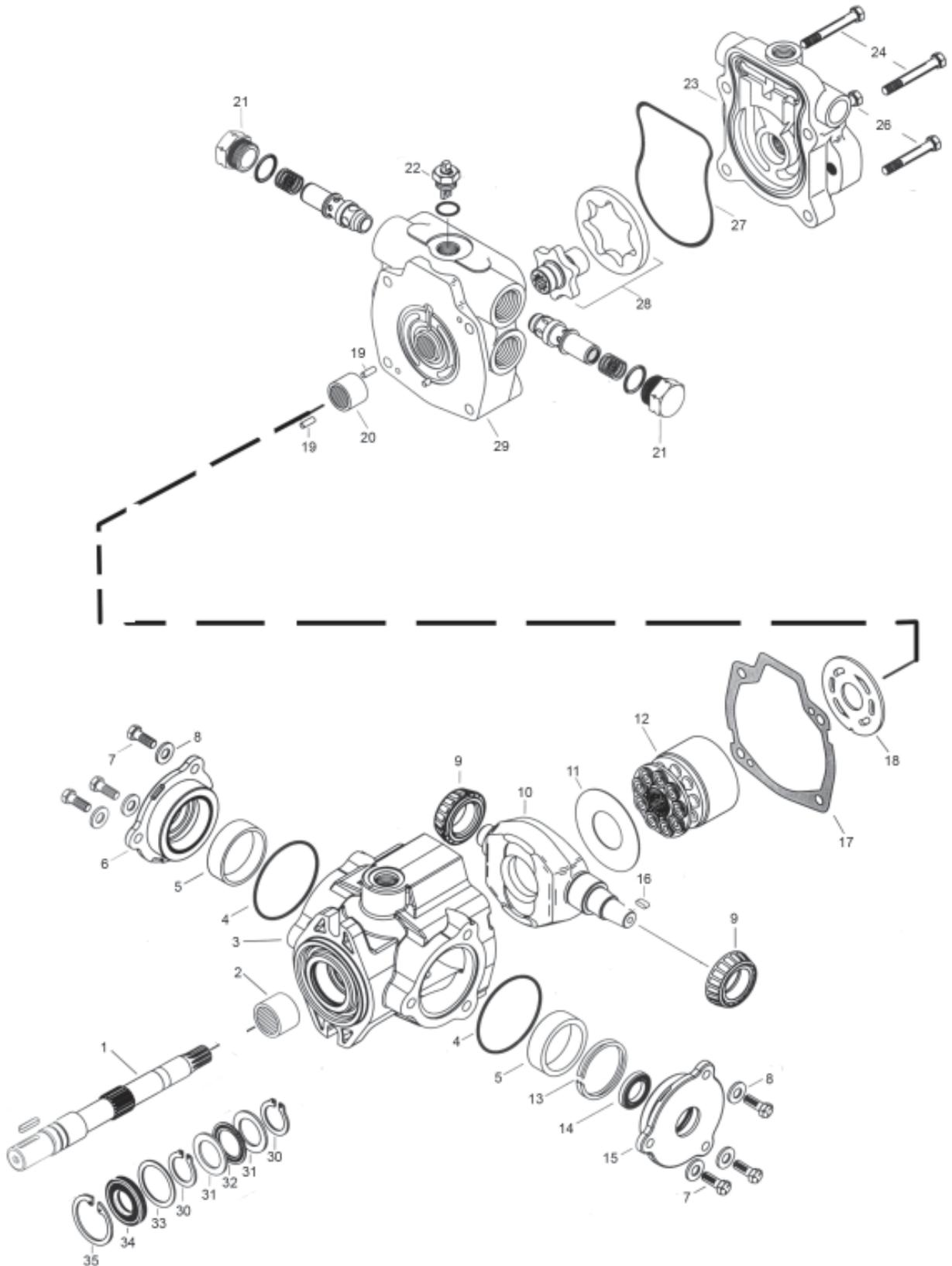
When servicing the spray pump or filter, all control valves must be shut off if there is liquid in the tank.

# 76-197 EATON GEAR PUMP



REF#	PART#	DESCRIPTION	QUANTITY
1		Body	1
2	76-197-01	Front Plate	1
3*		Washer	4
4	76-197-06	Cap Screw	8
5	76-197-07	Retaining Ring	1
6*		Shaft Seal	1
7	33-061-15	Washer	1
8*		O-Ring	2
9*		Backup Gasket	1
10*		Seal	1
11*		Wear Plate	1
12	76-197-04	Shaft (comes with Idler Gear)	1
13	76-197-02	Back Plate	1
14*		Plug	1
*	76-197-08	Seal Kit	

# 76-482 HYDROSTATIC PUMP DRAWING

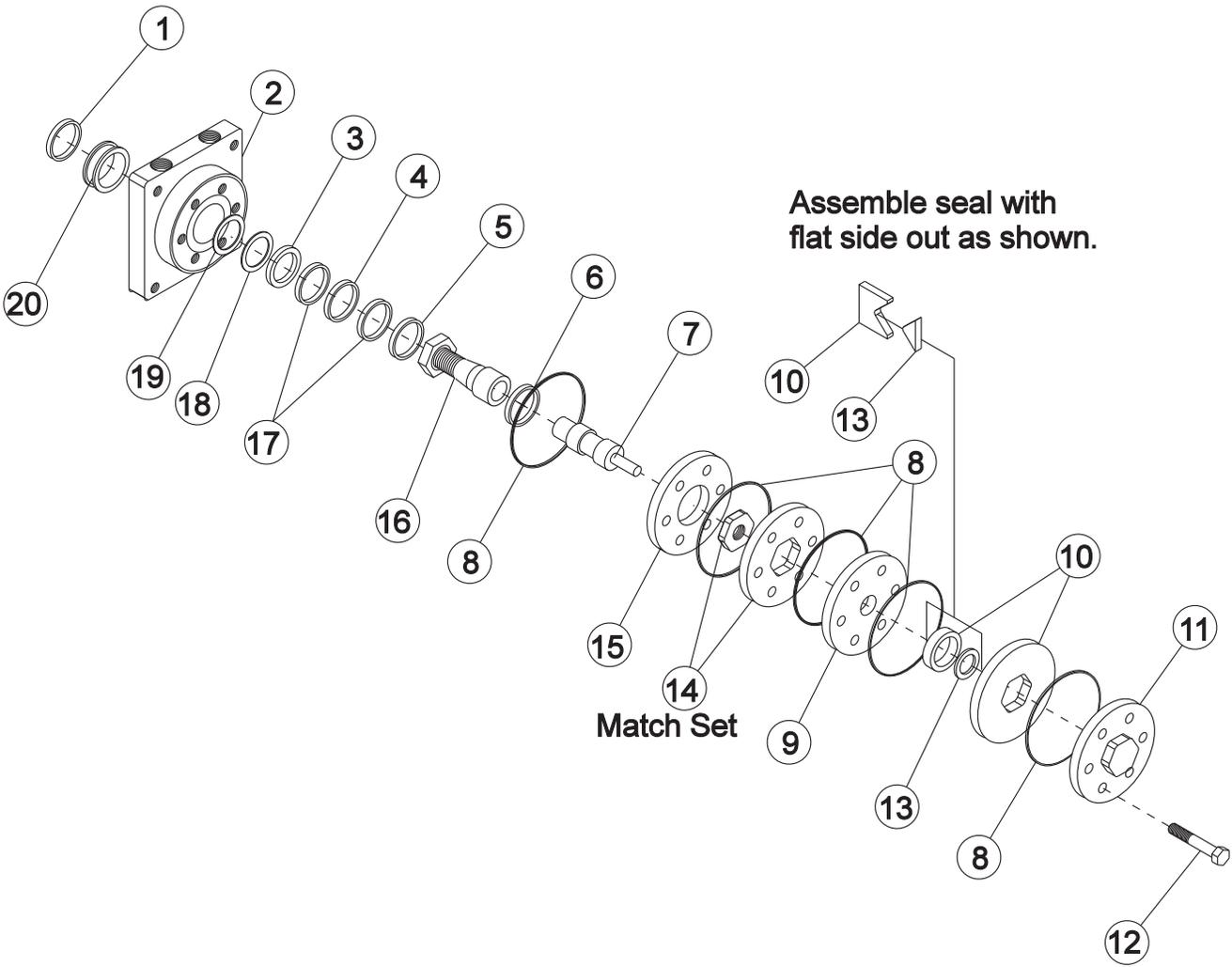


Parts

## 76-482 HYDROSTATIC PUMP PARTS LIST

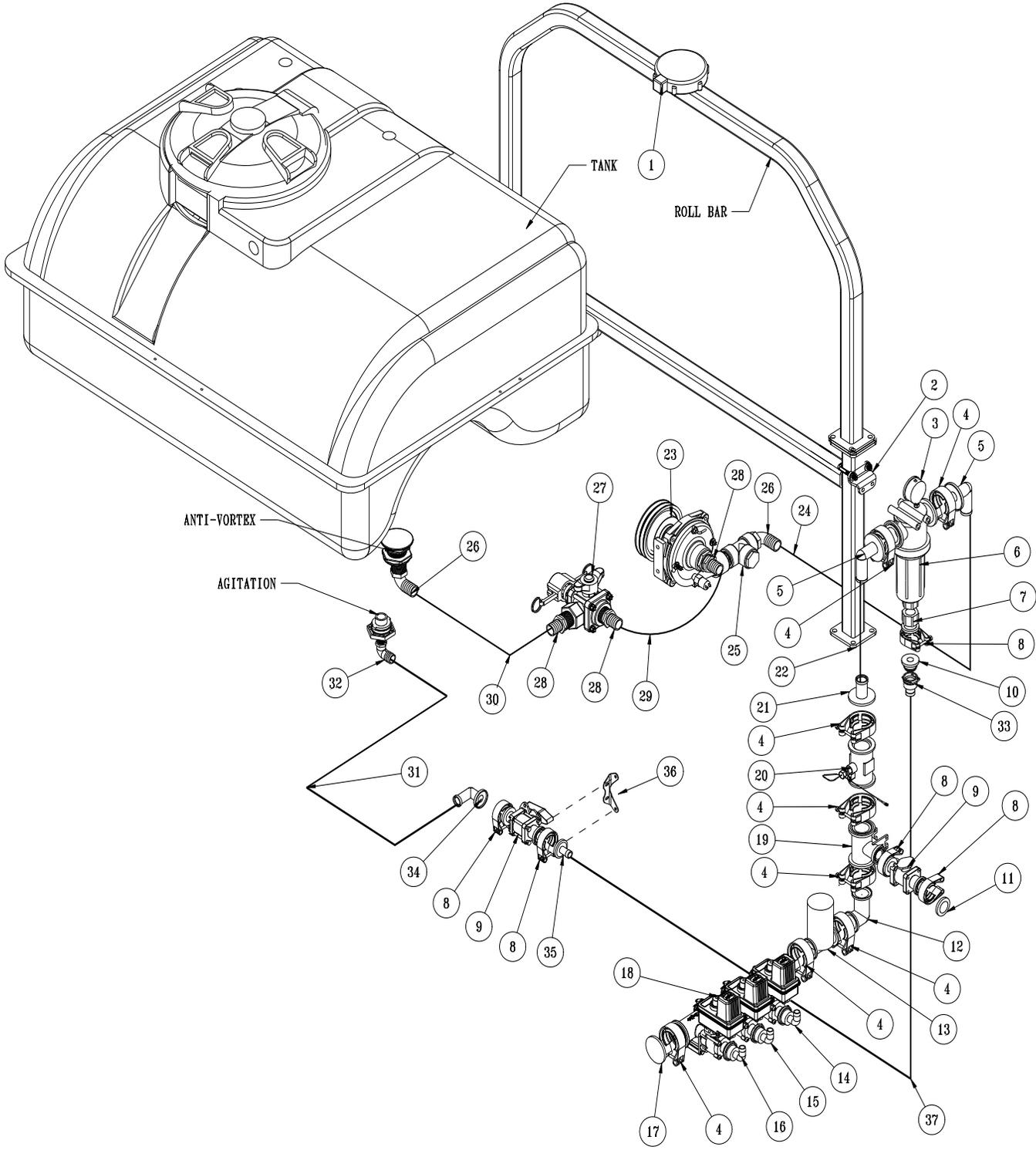
REF#	PART#	DESCRIPTION	QUANTITY
1	76-398-01	Drive Shaft (splined)	1
2	60-343-08	Needle Bearing (with housing)	1
3	77-239-01	Housing	1
4	77-239-02	O-Ring	1
5	77-239-03	Thrust Bearing	2
6	77-239-04	Trunnion Cover	1
7	77-239-05	Pan Head Screw	2
8	77-239-06	Washer	6
9	77-239-07	Cone Bearing	2
10	77-239-08	Cam Plate	1
11	77-239-09	Swash Plate Insert	1
12	60-343-21	Rotating Kit	1
13	77-239-10	Crush Ring	1
14*	60-343-12	Shaft Seal	1
15	77-239-11	Seal Cover	1
16	77-239-12	Key	1
17*	77-239-13	Gasket	1
18	76-482-01	Back Plate	1
19	33-058-27	Dowel Pin	2
20	60-343-23	Bearing	1
21	77-239-15	Relief Valve	2
22	77-239-16	Tow Valve Assembly	1
23	76-160	Charge Pump Adaptor	1
24	77-239-17	Cap Screw	2
26	77-239-18	Cap Screw	2
27*	77-239-19	O-Ring	1
28	60-343-43	Gerotor and Coupler	1
29	77-239-20	End Cover Assembly	1
30*	77-239-21	Retaining Ring	2
31	60-343-05	Bearing Race	1
32	60-343-06	Thrust Bearing	1
33	60-343-03	Washer	2
34*	60-343-02	Shaft Seal	1
35*	60-343-01	Retaining Ring	1
*	77-239-22	Seal Kit	

# 43-116 REAR WHEEL MOTOR DRAWING



## 43-116 REAR WHEEL MOTOR PARTS LIST

REF#	PART#	DESCRIPTION	QUANTITY
1*		Water & Dirt Seal	1
2†	13-615-05	Service Housing Assembly	1
3*		Inner Seal	1
4†	13-032-27	Thrust Bearing	1
5†	13-032-28	Inner Bearing	1
6	13-032-29	Thrust Bearing	1
7	43-116-01	Drive Link	1
8*		Ring Seal	5
9	13-032-31	Manifold	1
10	13-032-32	Commutator Assembly (matched set)	1
11	13-032-33	End Cover	1
12	43-116-02	Bolt	7
13*		Commutator Seal (matches with #10)	1
14	43-116-03	Rotor Set (matched set)	1
15	13-032-35	Plate Wear	1
16	13-615-04	Coupling Shaft	1
	HWK-516-100	Woodruff Key <sup>5</sup> / <sub>16</sub> X 1	1
	14-265	Nut 1 - 20	1
17†	13-032-37	Thrust Washer	2
18*		Backup Washer	1
19*		Backup Washer	1
20†	13-032-38	Outer Bearing	1
*	14-080	Seal Kit	1
†	Included in 13-615-05 Service Housing Assembly		

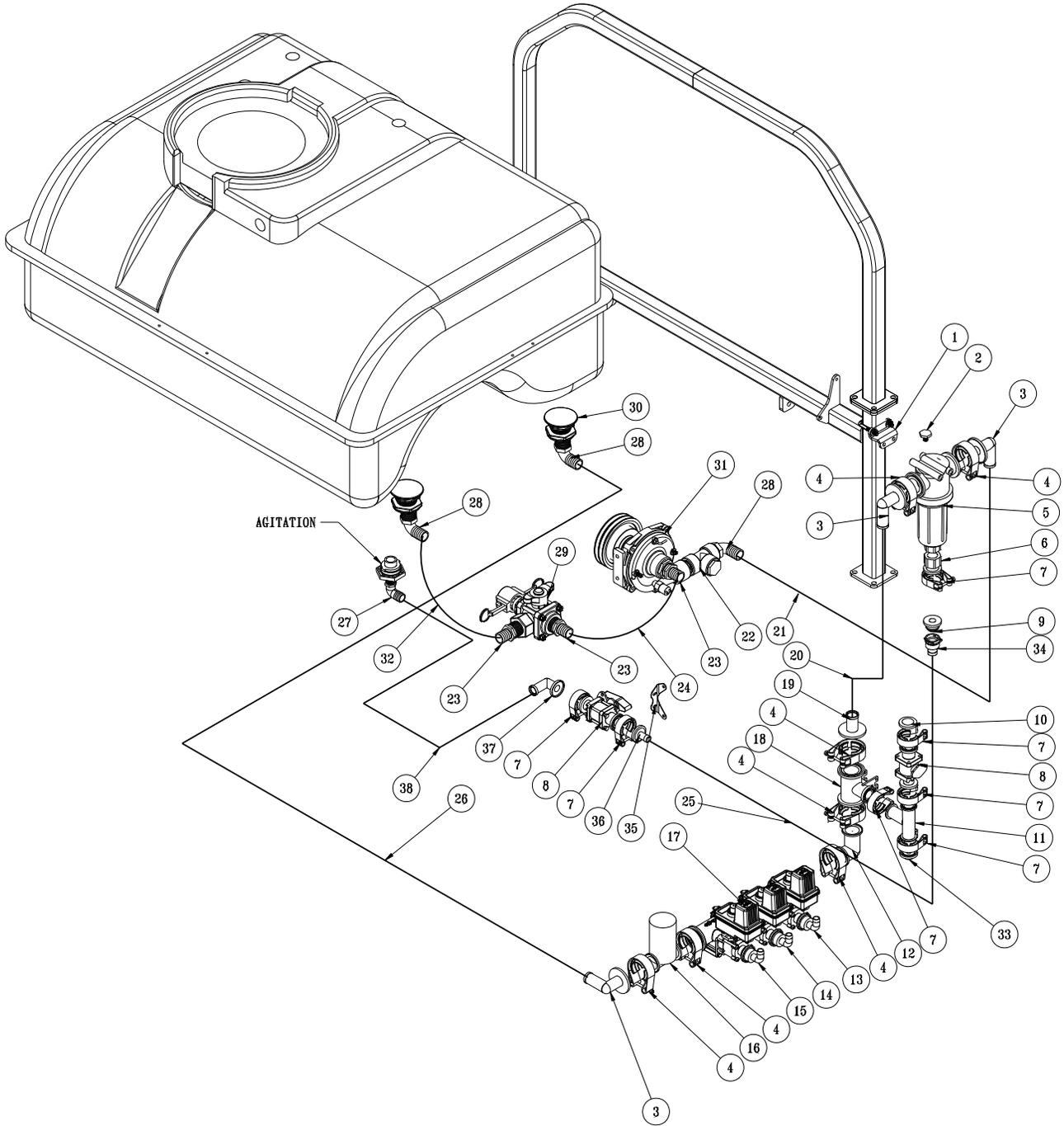


Accessories

## 2002 PLUMBING PARTS LIST (RAVEN 440)

REF#	PART#	DESCRIPTION	QUANTITY
1	10-408-01	Phoenix 10 GSP	1
2	20-543	Strainer Mount	1
	17-537	Square U-bolt	1
3	16-281	Liquid Filled Gauge	1
4	15-741	#75 Series Clamp	8
5	15-739	#75 90° Hose Barb	2
6	15-737	Flanged Strainer	1
	16-968-03	Screen (50 mesh)	1
7	15-735	#50 x 1 FTP Fitting	1
8	15-740	#50 Series Clamp	5
9	15-738	Flanged Ball Valve	2
10	15-825	#50 Male Quick Coupler	1
11	15-778	Blank Gauge Port Flange	1
12	15-734	#75 Elbow Coupling	1
13	16-524	Motorized Control Valve	1
14	15-553	3/4 - 90° Hose Barb (Left Boom)	1
	8887-115	3/4 Orange PVC Hose x 115"	1
	18-040	Hose Clamp	2
15	15-553	3/4 - 90° Hose Barb (Center Boom)	1
	8887-84	3/4 Orange PVC Hose x 84"	1
	18-040	Hose Clamp	2
16	15-553	3/4 - 90° Hose Barb (Right Boom)	1
	8887-110	3/4 Orange PVC Hose x 110"	1
	18-040	Hose Clamp	2
17	15-742	#75 Inlet Cover	1
18	15-743	453 Manifold	1
19	15-775	Reducer Tee	1
20	18-373	Flow Meter	1
	18-373-01	Sensor	1
21	15-744	#75 Hose Barb	1
22	8897-18	1 1/4" Discharge Hose x 18"	1
	18-116	Hose Clamp	2
23	16-998	Hypro® Pump	1
24	8897-58	1 1/4" Discharge Hose x 58"	1
	18-116	Hose Clamp	2
25	18-390	Pipe Tee	1
	10-389	Plug	1
26	16-156	Elbow	2
27	18-372	3-Way Valve	1
28	16-161	Fitting	3
29	8897-44	Discharge Hose	1
	18-116	Hose Clamp	2
30	8897-28	1 1/4" Discharge Hose x 28"	1
	18-116	Hose Clamp	2
31	8896-80	1" Discharge Hose x 80"	1
	18-222	Hose Clamp	2
32	16-155	Elbow	1
33	15-869	1" Hose Barb Outlet	1
	15-553-01	Clip	1
	15-553-02	O-ring	1
34	15-746	#50 90° Hose Barb	1
35	15-808	#50 Straight Barb	1
36	20-689	Valve Bracket	1
37	8896-72	1" Discharge Hose x 72"	1
	18-222	Hose Clamp	2





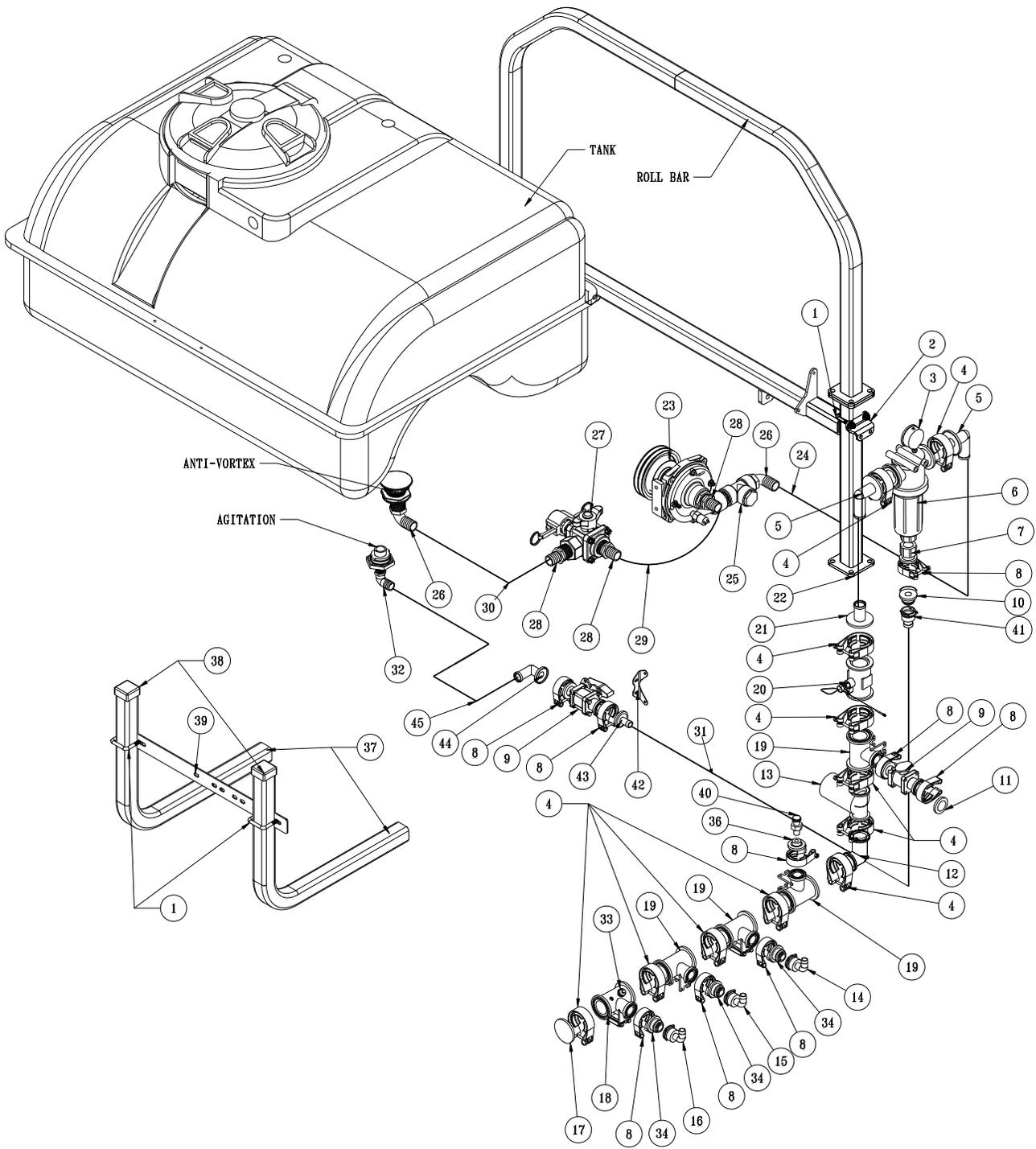
Accessories

## 2004 PLUMBING PARTS LIST (RAVEN 203)

REF#	PART#	DESCRIPTION	QUANTITY
1	20-543	Strainer Mount	1
	17-537	Square U-bolt	1
2	15-780	Poly Hex Plug	1
3	15-739	#75 90° Hose Barb	3
4	15-741	#75 Series Clamp	7
5	15-737	Flanged Strainer	1
	16-968-03	Screen (50 mesh)	1
6	15-735	#50 x 1 FTP Fitting	1
7	15-740	#50 Series Clamp	7
8	15-738	Flanged Ball Valve	2
9	15-825	#50 Male Quick Coupler	1
10	15-778	Blank Gauge Port Flange	1
11	15-776	#50 Tee	1
12	15-734	#75 Elbow Coupling	1
13	15-553	3/4 - 90° Hose Barb (Left Boom)	1
	8887-115	3/4 Orange PVC Hose x 115"	1
	18-040	Hose Clamp	2
14	15-553	3/4 - 90° Hose Barb (Center Boom)	1
	8887-84	3/4 Orange PVC Hose x 84"	1
	18-040	Hose Clamp	2
15	15-553	3/4 - 90° Hose Barb (Right Boom)	1
	8887-110	3/4 Orange PVC Hose x 110"	1
	18-040	Hose Clamp	2
16	16-524	Motorized Control Valve	1
17	15-743	453 Manifold	1
18	15-775	Reducer Tee	1
19	15-744	#75 Hose Barb	1
20	8897-22	1 1/4" Discharge Hose x 22"	1
	18-116	Hose Clamp	2
21	8897-18	1 1/4" Discharge Hose x 18"	1
	18-116	Hose Clamp	2
22	18-390	Pipe Tee	1
	10-389	Plug	1
23	16-161	Fitting	3
24	8897-44	Discharge Hose	1
	18-116	Hose Clamp	2
25	8896-72	1" Discharge Hose x 72"	1
	18-222	Hose Clamp	2
26	8897-24	1 1/4" Discharge Hose x 24"	1
	18-116	Hose Clamp	2
27	16-155	Elbow	1
28	16-156	Elbow	3
29	18-372	3-Way Valve	1
30	16-194	Anti-Vortex Fitting	1
31	16-998	Hypro® Pump	1
32	8897-28	1 1/4" Discharge Hose x 28"	1
	18-116	Hose Clamp	2
33	15-777	Gauge Port Flange	1
34	15-869	1" Hose Barb Outlet	1
	15-553-01	Clip	1
	15-553-02	O-ring	1
35	20-689	Valve Bracket	1
36	15-808	#50 Straight Barb	1
37	15-746	#50 90° Hose Barb	1
38	8896-80	1" Discharge Hose x 80"	1
	18-222	Hose Clamp	2



2005/2006 PLUMBING DRAWING (ENVIZIO PRO II + SHARP SHOOTER)



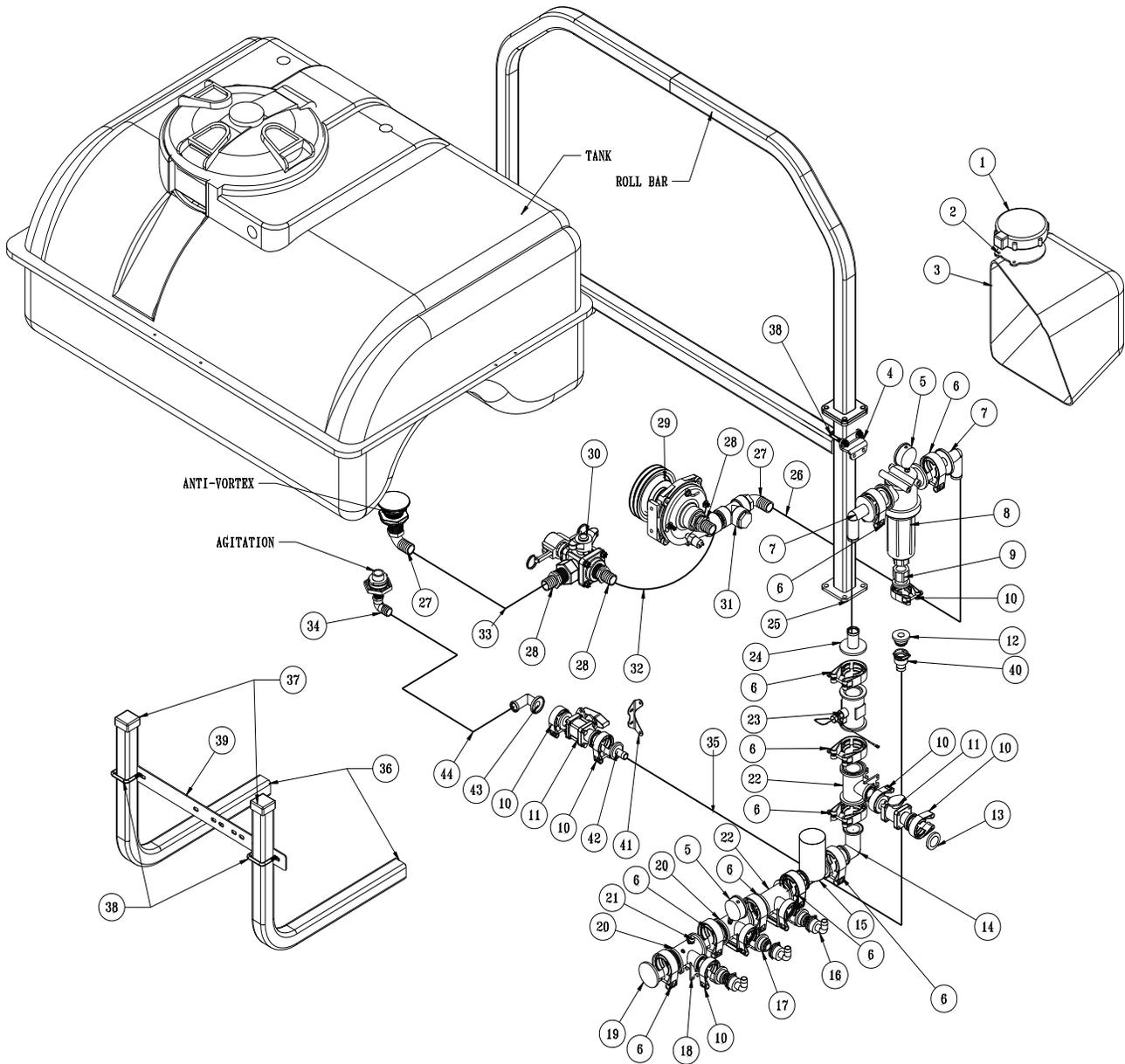
Accessories

## 2005/2006 PLUMBING PARTS LIST (ENVIZIO PRO II + SHARP SHOOTER)

REF#	PART#	DESCRIPTION	QUANTITY
1	17-537	Square U-bolt	3
2	20-543	Strainer Mount	1
3	16-281	Liquid Filled Gauge	1
4	15-741	#75 Series Clamp	11
5	15-739	#75 90° Hose Barb	2
6	15-737	Flanged Strainer	1
	16-968-05	Screen (80 mesh)	1
7	15-735	#50 x 1 FTP Fitting	1
8	15-740	#50 Series Clamp	9
9	15-738	Flanged Ball Valve	2
10	15-825	#50 Male Quick Coupler	1
11	15-778	Blank Gauge Port Flange	1
12	15-734	#75 Elbow Coupling	1
13	16-524	Motorized Control Valve	1
14	15-553	3/4 - 90° Hose Barb	1
	8887-121	3/4 Orange PVC Hose x 121" (Left Boom)	1
	18-040	Hose Clamp	2
15	15-553	3/4 - 90° Hose Barb	1
	8887-90	3/4 Orange PVC Hose x 90" (Center Boom)	1
	18-040	Hose Clamp	2
16	15-553	3/4 - 90° Hose Barb	1
	8887-116	3/4 Orange PVC Hose x 116" (Right Boom)	1
	18-040	Hose Clamp	2
17	15-742	#75 Inlet Cover	1
18	30-164	Tapped Reducer Tee	1
19	15-775	Reducer Tee	4
20	18-373	Flow Meter	1
	18-373-01	Sensor	1
21	15-744	#75 Hose Barb	1
22	8897-16	1 1/4" Discharge Hose x 16"	1
	18-116	Hose Clamp	2
23	16-998	Hypro® Pump	1
24	8897-58	1 1/4" Discharge Hose x 58"	1
	18-116	Hose Clamp	2
25	18-390	Pipe Tee	1
	10-389	Plug	1
26	16-156	Elbow	2
27	18-372	3-Way Valve	1
28	16-161	Fitting	3
29	8897-44	Discharge Hose	1
	18-116	Hose Clamp	2
30	8897-28	1 1/4" Discharge Hose x 28"	1
	18-116	Hose Clamp	2
31	8896-72	1" Discharge Hose x 72"	1
	18-222	Hose Clamp	2
32	16-155	Elbow	1
33	30-168-04	SharpShooter Presser Sensor Assembly	1
34	15-825	QC Flange Adapter	3
35	15-743-03	Mounting Rail	2
	15-743-06	SS Screw	8
36	15-777	Gauge Port Flange	1
37	17-615	Universal Boom Support	2
38	16-557	Square Cap	2
39	30-167	Mounting Strap	1
40	30-177	Envizio Pro II® Pressure Transducer	1
41	15-869	1" Hose Barb Outlet	1
	15-553-01	Clip	1
	15-553-02	O-ring	1
42	20-689	Valve Bracket	1
	HSTP-1/4-20-075	Truss Head Screw, 1/4 - 20 x 3/4	2
	HNFL-14-20	Flange Lock Nut, 1/4 - 20	2
43	15-808	#50 Straight Hose Barb	1
44	15-746	#50 90° Elbow	1
45	8896-80	1" Discharge Hose x 80"	1
	18-222	Hose Clamp	2



# 2007/2008 PLUMBING DRAWING (RAVEN 440+ SHARP SHOOTER)



Accessories

## 2007/2008 PLUMBING PARTS LIST (RAVEN 440 + SHARP SHOOTER)

REF#	PART#	DESCRIPTION	QUANTITY
1	10-408-01	Phoenix 10 GSP	1
2	30-173	GPS Plate	1
3	3-172	Fiberglass Cover	1
4	20-543	Strainer Mount	1
5	16-281	Liquid Filled Gauge	2
6	15-741	#75 Series Clamp	10
7	15-739	#75 90° Hose Barb	2
8	15-737	Flanged Strainer	1
	16-968-05	Screen (80 mesh)	1
9	15-735	#50 x 1 FTP Fitting	1
10	15-740	#50 Series Clamp	8
11	15-738	Flanged Ball Valve	2
12	15-825	#50 Male Quick Coupler	1
13	15-778	Blank Gauge Port Flange	1
14	15-734	#75 Elbow Coupling	1
15	16-524	Motorized Control Valve	1
16	15-553	3/4 - 90° Hose Barb	3
	8887-115	3/4 Orange PVC Hose x 115" Left Boom	1
	8887-84	3/4 Orange PVC Hose x 84" Center Boom	1
	8887-110	3/4 Orange PVC Hose x 110" Right Boom	1
	18-040	Hose Clamp	6
17	15-825	QC Flange Adapter	3
18	15-743-03	Mounting Rail	2
	15-743-06	SS Screw	8
19	15-742	#75 Inlet Cover	1
20	30-164	Tapped Reducer Tee	2
21	30-168-04	SharpShooter Presser Sensor Assembly	1
22	15-775	Reducer Tee	1
23	18-373	Flow Meter	1
	18-373-01	Sensor	1
24	15-744	#75 Hose Barb	1
25	8897-18	1 1/4" Discharge Hose x 18"	1
	18-116	Hose Clamp	2
26	8897-58	1 1/4" Discharge Hose x 58"	1
	18-116	Hose Clamp	2
27	16-156	Elbow	2
28	16-161	Fitting	3
29	16-998	Hypro® Pump	1
30	18-372	3-Way Valve	1
31	18-390	Pipe Tee	1
	10-389	Plug	1
32	8897-44	Discharge Hose	1
	18-116	Hose Clamp	2
33	8897-28	1 1/4" Discharge Hose x 28"	1
	18-116	Hose Clamp	2
34	16-155	Elbow	1
35	8896-72	1" Discharge Hose x 72"	1
	18-222	Hose Clamp	2
36	17-615	Universal Boom Support	2
37	16-557	Square Cap	2
38	17-537	Square U-bolt	4
39	30-167	Mounting Strap	1
40	15-869	1" Hose Barb Outlet	1
	15-553-01	Clip	1
	15-553-02	O-ring	1
41	20-689	Valve mount	1
42	15-808	#50 Straight Hose Barb	1
43	15-746	#50 - 90° Hose Barb	1
44	8896-80	1" Discharge Hose x 80"	1
	18-222	Hose Clamp	2



## WIRING 2002 SYSTEM (RAVEN 440)

REF#	PART#	DESCRIPTION	QUANTITY
1	16-140	Power Switch	1
2	16-525-01	Rate1/Rate2 Manual Switch	1
3	16-873	Adjustment Switch	1
4	16-141	Boom Switch	3
5	16-697	Master Switch	1
6	16-558	Mounting Knob	2
7	16-525	Console (only)	1
	16-234	Console Cover	1
8	20-557	440 Console Mount	1
9	20-540	Ram Mount	1
10	50-400	Grommet	1
11	20-596	Dash Board	1
12	33-271	Fuse Block	1
13	33-508	Auto Blade Type Fuse 15 amp	1
14	33-562	Auto Blade Type Fuse 40 amp	1
15	15-369	Console Control Cable	1
16	16-524	Motorized Control Valve	1
17	15-743	Manifold Valve	1
18	18-373	Flow Meter	1
19	33-509	Master Boom Floor Switch	1
20	10-408-01	Phoenix 10 GPS	1
21	12-017	Hour Meter	1
22	9027	Terminal T-tap	1
	8958	Male Slide on Connector	1

*Use Dielectric Grease On All Electrical Connections*

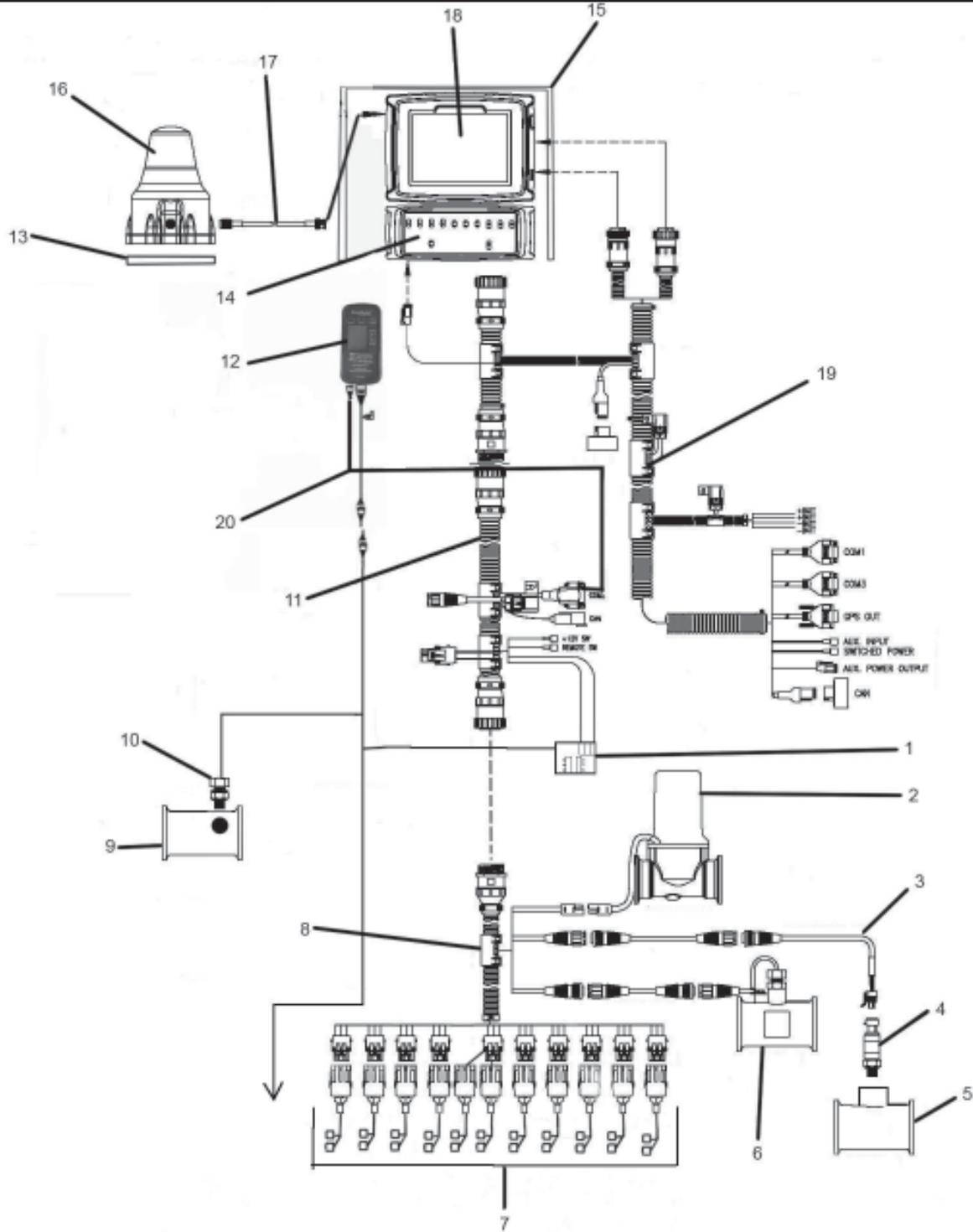


## WIRING 2004 SYSTEM (RAVEN203)

REF#	PART#	DESCRIPTION	QUANTITY
1	16-958-01	Mounting Bracket	1
3	16-898	Boom Switch	3
2	16-900	Mounting Knob	2
4	16-899	Master Switch	1
5	18-418	Console with Liquid Filled Pressure Gauge	1
6	33-090-02	Liquid Filled Pressure Gauge	1
	33-090-04	Pressure Gauge Tube Fitting	1
7	16-958-02	Fuse Holder	1
	16-525-03	Fuse 15 AMP	1
8	16-895	Pressure Switch	1
9	20-546	Console Mount	1
10	20-540	Ram Mount	1
11	50-400	Grommet	1
12	20-596	Dash Board	1
13	33-271	Fuse Block	1
14	33-508	Auto Blade Type Fuse 15 amp	1
15	33-562	Auto Blade Type Fuse 40 Amp	1
16	16-958-04	Cable Assembly 8ft Enclosure Hook-Up	1
17	16-902	Cable Assembly 72" Solenoid Hook-Up	1
18	15-776	Tee	1
19	15-743	Manifold Valve	1
20	16-524	Motorized Control Valve	1
21	16-958-05	Union Fitting	1
22	9038	Tubing	by the foot
23	10-225	Wire Harness (fuse block to electric valve)	1

*Use Dielectric Grease On All Electrical Connections*

# WIRING 2005/2006 SYSTEM (ENVIZIO PRO II + SHARP SHOOTER W/ RATE-SYNC)



## WIRING 2005/2006 SYSTEM (ENVIZIO PRO II + SHARP SHOOTER W/ RATE-SYNC)

REF#	PART#	DESCRIPTION	QUANTITY
1	33-271	Fuse Block	1
	33-508	Auto Blade Type Fuse 15Amp	2
	33-273	Auto Blade Type Fuse 30Amp	1
	9035	Blade Fuse 1AMP	1
2	16-524	Motorized Control Valve	1
3	30-178	6' Cable for Transducer	1
4	30-177	Pressure Transducer	1
5	15-775	Tee	1
6	18-373	Flow Meter	1
7		See Valve Nozzle Drawing	
8	30-174	12' Product Cable	1
9	30-164	Tapped Reducer Tee	1
10	30-168-04	SharpShooter Pressure Sensor	1
11	30-176	3' Console Cable	1
12	30-264	SharpShooter with Rate Sync	1
13	30-173	GPS Plate	1
14	30-220	SwitchPro Kit	1
15	30-172	Fiberglass Cover	1
	8803-48	Trim 48"	1
	18-134	Grommet	1
16*	30-218-02	GPS Antenna	1
17*	30-218-03	GPS Cable	1
18*	30-218-01	Envizio Pro II Console	1
19	30-219	Combo Cable	1
20	30-270	DB9 Cable	1
* *	30-218 30-228	Epro II with WAAS (includes * items) GLONAS Unlock Code	

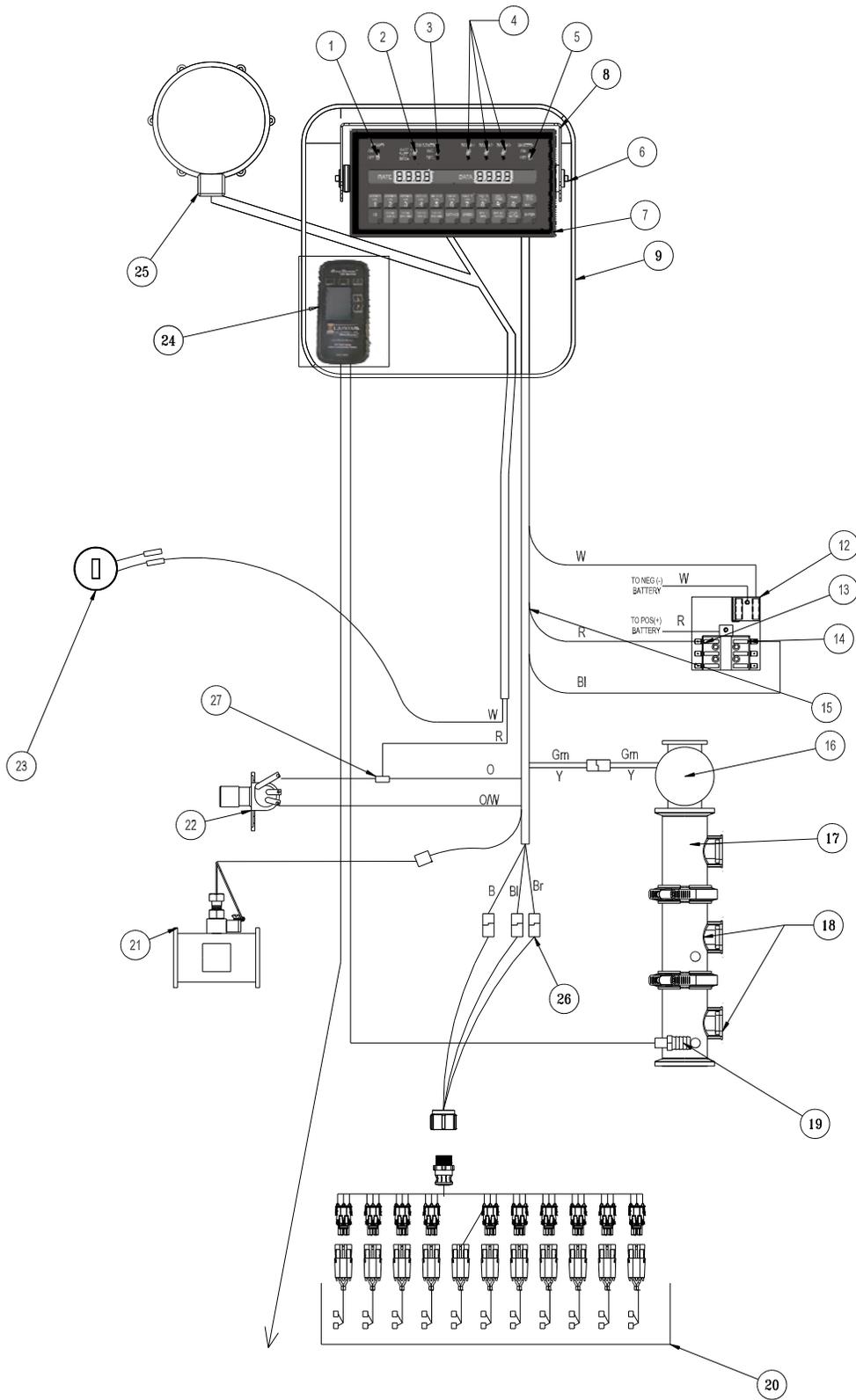
*Use Dielectric Grease On All Electrical Connections*

### NOT SHOWN

30-264-01	Display
30-264-02	Valve Driver
30-264-03	Extension Harness
30-264-04	Power Hub
30-264-05	Shut Off Adapter



# WIRING 2007/2008 SYSTEM (RAVEN 440 + SHARP SHOOTER W/ RATE-SYNC)



Accessories

## WIRING 2007/2008 SYSTEM (RAVEN 440+ SHARP SHOOTER W/ RATE-SYNC)

REF#	PART#	DESCRIPTION	QUANTITY
1	16-140	Power Switch	1
2	16-525-01	Rate1/Rate2 Manual Switch	1
3	16-873	Adjustment Switch	1
4	16-141	Boom Switch	3
5	16-697	Master Switch	1
6	16-558	Mounting Knob	2
7	16-525	Console (only)	1
8	20-601	440 Console Mount	1
9	30-172	Fiberglass Cover	1
	8803-48	Trim-48"	1
	18-134	Grommet <sup>5</sup> / <sub>8</sub>	1
10	50-400	Grommet	1
11	20-596	Dash Board	1
12	33-271	Fuse Block	1
	9035	Blade Fuse 1amp	1
13	33-508	Auto Blade Type Fuse 15 amp	2
14	33-273	Auto Blade Type Fuse 30 amp	1
15	15-369	Console Control Cable	1
16	16-524	Motorized Control Valve	1
17	15-775	Reducer Tee	1
18	30-164	Tapped Reducer	2
19	30-168-04	SharpShooter Pressure Sensor	1
20		See Nozzle Valve Drawing	
21	18-373	Flow Meter	1
22	33-509	Master Boom Floor Switch	1
23	12-017	Hour Meter	1
24	30-264	SharpShooter with Rate Sync	1
25	10-408-01	Phoenix 10 GPS	1
	30-173	GPS Mount Plate	1
26	30-179	440 Harness Extension	1
27	9027	Terminal T-tap	1
	8958	Male Slide on Connector	1

*Use Dielectric Grease On All Electrical Connections*

### NOT SHOWN

30-264-01	Display
30-264-02	Valve Driver
30-264-03	Extension Harness
30-264-04	Power Hub
30-264-05	Shut Off Adapter

# 16-524 MOTORIZED CONTROL VALVE DRAWING

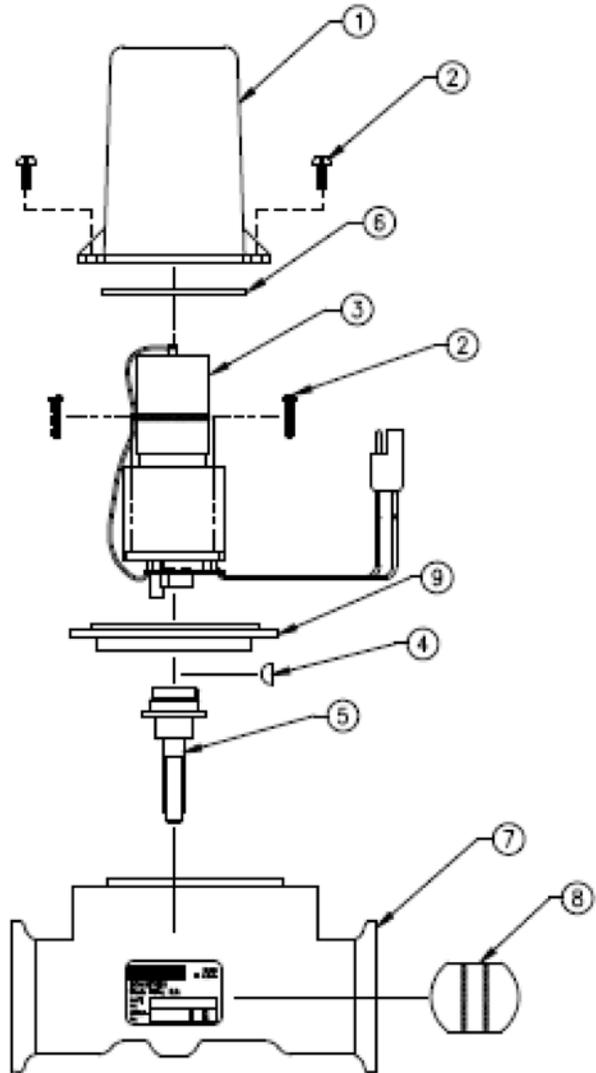
## WHEN SERVICING VALVE:

Replace valve body with ISO-Body Kit if valve has been leaking internally.

Replace motor assembly if the motor will not run.

Before reassembling valve, remove the coupler shaft from the valve body. Apply Loctite to coupler shaft and woodruff key. Place the coupler shaft (Ref 5) and the woodruff key (Ref 4) onto the motor shaft. Plug motor into the valve connector coming from Sprayer Control Console. Check that the motor rotates in both directions. Motor must stop when coupler shaft CAM releases printed circuit board button.

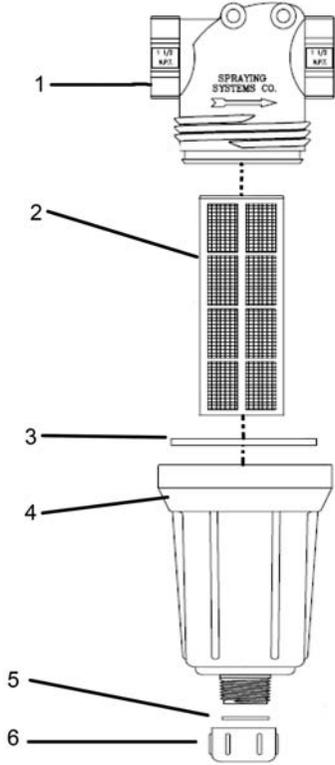
When reassembling valve, grease both sealing surfaces of coupler shaft. Insert coupler shaft into Iso-flange and be sure seal properly seats on shaft. Install motor on valve body and apply silicon sealant to mounting holes. Reassemble remaining items as shown in parts diagram.



REF#	PART#	DESCRIPTION	QUANTITY
1	16-870	Valve Cover	1
2*	16-524-01	#6 Self Tapping Screw <sup>3</sup> / <sub>4</sub> " Long	6
3	16-875	Motor Assembly	1
4*	16-957	Woodruff Key	1
5*	16-524-02	Coupler Shaft	1
6*	16-897	Seal Tetraseal	1
7*	16-524-06	Valve Body Assembly 1"	1
8*	16-956	Butterfly	1
9*	16-524-04	Isolation Flange Assembly	1

\* 16-524-05 1" Valve ISO-Body Kit

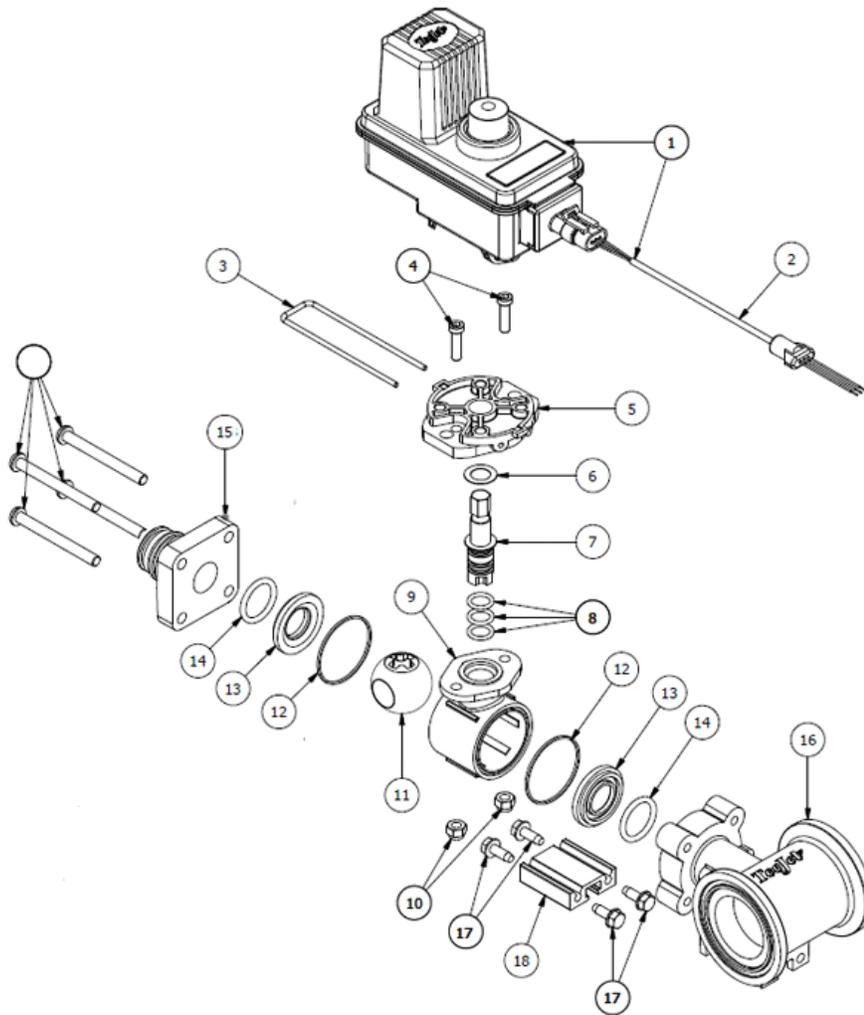
15-737 STRAINER DRAWING



REF#	PART#	DESCRIPTION	QUANTITY
1	15-737-01	Strainer Head 75 Series	1
2	16-968-03	50 Mesh Strainer	1
3	14-521-02	EPDM Gasket	1
4	14-521-03	Bowl 1" NPT	1
5	14-521-04	EPDM Rubber gasket	1
6	14-521-05	Cap	1

Accessories

# 15-743 MANIFOLD VALVE DRAWING

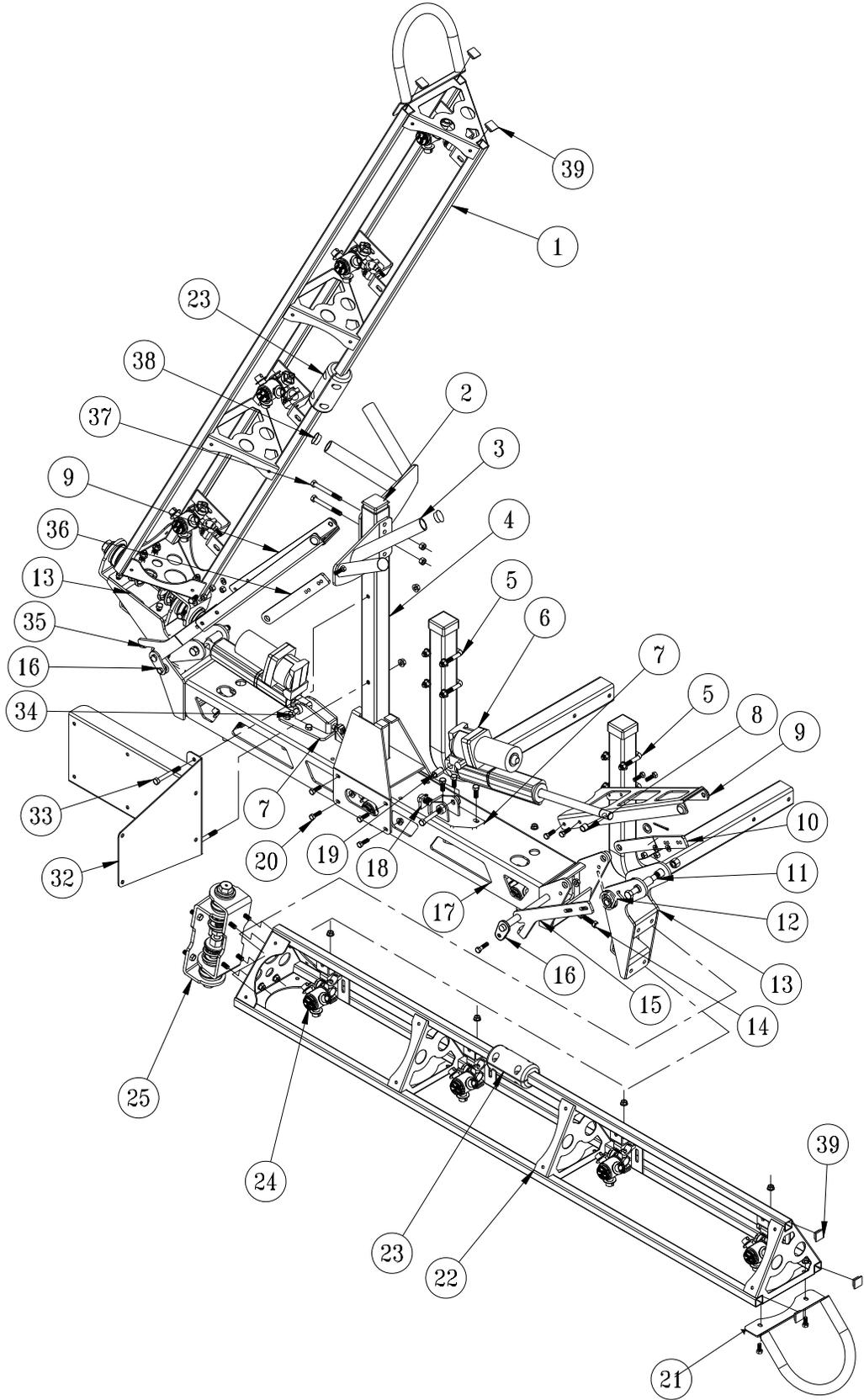


REF#	PART#	DESCRIPTION	QUANTITY
1	15-552-23	Motor	
2	15-878	Metri-Pack Cable (comes with motor)	1
3	15-552-24	Retaining Clip	1
4	15-552-25	Socket Head Cap Screw, Stainless Steel	2
5	15-552-26	Motor Adapter, Polypropylene	1
6*	15-517-11	Thrust Washer, Teflon	1
7	15-552-27	Stem, Stainless Steel	1
8*	15-552-05	O-ring, Viton	3
9	15-517-16	Body, Nylon	1
10		Lock Nut, Stainless Steel	2
11	15-743-04	Ball, Polypropylene	1
12*	15-552-13	Gasket, Viton	2
13*	15-517-19	Seal, Teflon	2
14*	15-517-20	O-ring, Viton	2
15	15-743-01	End Cap	1
16	15-743-02	#75 Tee Body	1
17	15-743-06	Screw, SS	4
18	15-743-03	Mounting Rail Aluminum	1

\* 15-552-10 Spare Parts Kit (includes all \* items)  
 15-743-05 Single Valve (shown)



# 17-585 18' HD SUPER BOOM DRAWING



Accessories

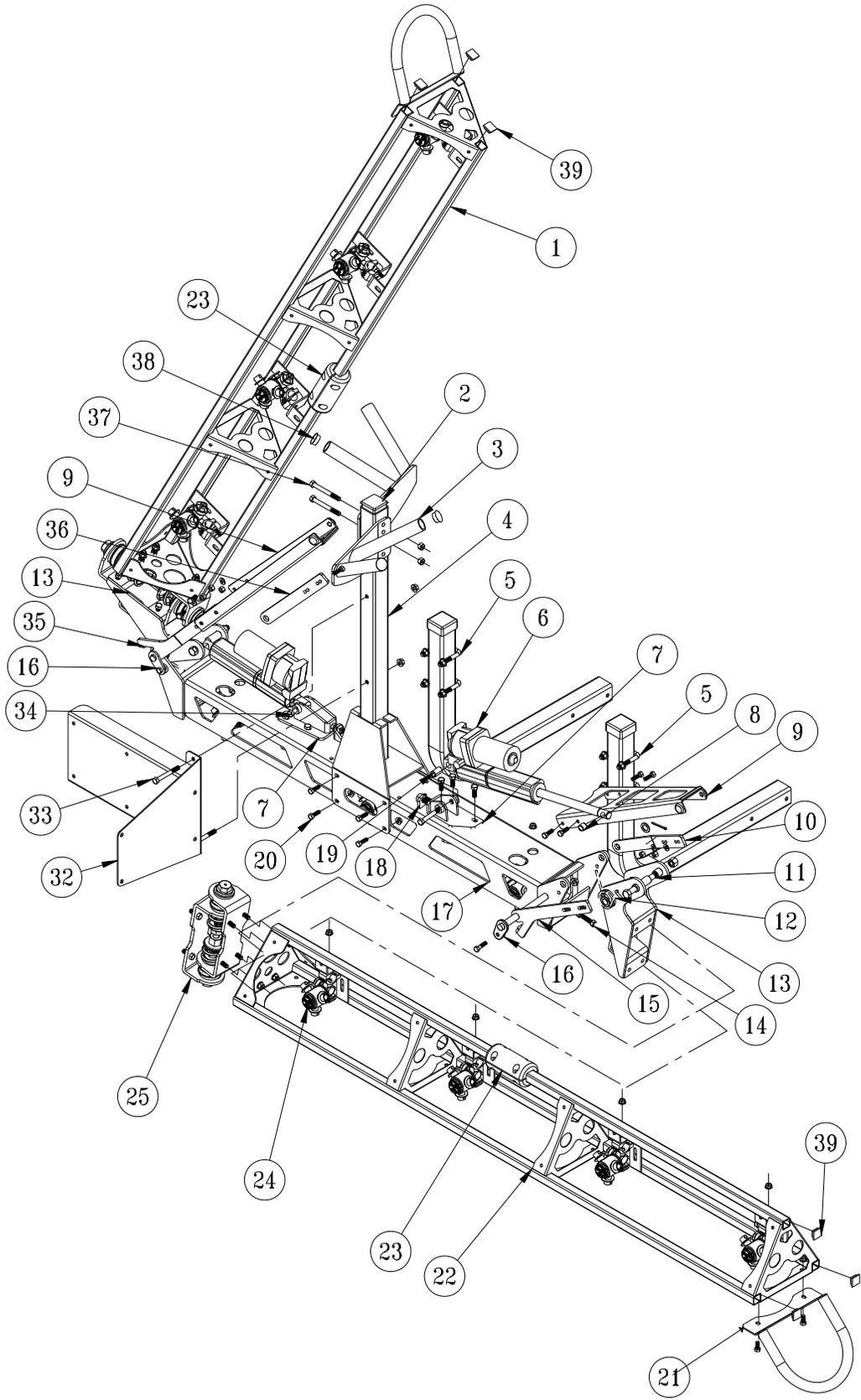
## 17-585 18' HD SUPER BOOM PARTSLIST

REF#	PART#	DESCRIPTION	QUANTITY
1	17-531	Left Boom Arm	1
2	18-297	Cap Plug	1
3	17-617	Boom Nest	2
4	17-578	Boom Nest Post	1
6	30-187	KYB Electric/ Hydraulic Actuator	2
7	30-184	Ram Mount	2
	HB-38-16-100	Bolt, $\frac{3}{8}$ - 16 x 1	6
	HW-38	Washer, $\frac{3}{8}$	6
	HNFL-38-16	Flange Lock Nut, $\frac{3}{8}$ -16	6
8	18-036	$\frac{1}{2}$ " Bushing	2
9	17-587	Boom Lock	2
	HB-516-18-100	Bolt, $\frac{5}{16}$ - 18 x 1	8
	HW-516	Flat Washer, $\frac{5}{16}$	8
	HNTL-516-18	Lock Nut, $\frac{5}{16}$ -18	8
	42-116	Rubber Insert	4
	8803-2.75	Trim Lace, 2.75"	2
10	17-588	Lock Hinge, RH	1
11	HB-12-13-500	Bolt, $\frac{1}{2}$ - 13 x 5	2
	HNTL-12-13	Lock Nut, $\frac{1}{2}$ - 13	2
12	17-597	Torsion Spring, RH	1
13	30-185	Arm Pivot Hinge	2
	76-128	Bushing	4
14	HB-38-16-150	Bolt, $\frac{3}{8}$ - 16 x $1\frac{1}{2}$	2
	HNFL-38-16	Flange Lock Nut, $\frac{3}{8}$ - 16	2
15	17-589	Limit Hinge, Rh	1
16	17-596	Hinge Pin w/ Spacer	2
	HP-18-100	Cotter Pin $\frac{1}{8}$ x 1	2
	HB-516-18-100	Bolt, $\frac{5}{16}$ - 18 x 1	2
	HNFL-516-18	Flange Lock Nut, $\frac{5}{16}$ -18	2
17	17-528	Boom Center	1
19	18-234	1" Bushing (part of 30-214)	2
20	HBFL-516-18-075	Bolt, $\frac{5}{16}$ - 18 x $\frac{3}{4}$	8
	HNFL-516-18	Flange Lock Nut, $\frac{5}{16}$ - 18	8
21	17-541	Boom End Guard	2
	HBFL-516-18-075	Bolt, $\frac{5}{16}$ - 18 x $\frac{3}{4}$	4
	HNFL-516-18	Flange Lock Nut, $\frac{5}{16}$ - 18	4
22	17-532	Right Boom Arm	1
23	17-573	Guide Block Set	2
	HB-14-20-125	Bolt $\frac{1}{4}$ - 20 x $1\frac{1}{4}$	8
	HNTL-14-20	Lock Nut $\frac{1}{4}$ - 20	8
24	33-506	Body (see nozzle drawing)	11
	HB-516-18-100	Bolt, $\frac{5}{16}$ -18 x 1	11
	HNFL-516-18	Flange Lock Nut, $\frac{5}{16}$ -18	11
25	17-632	Boom Hinge Complete	2
	HB-38-16-100	Bolt, $\frac{3}{8}$ - 16 x 1	8
	HNFL-38-16	Lock Nut, $\frac{3}{8}$ - 16	8
	HB-516-18-100	Bolt, $\frac{5}{16}$ - 18 x 1	8
	HW-516	Flat Washer, $\frac{5}{16}$	8
	HNFL-516-18	Flange Lock Nut, $\frac{5}{16}$ -18	8

(Continue on next page)



# 17-585 18' HD SUPER BOOM DRAWING

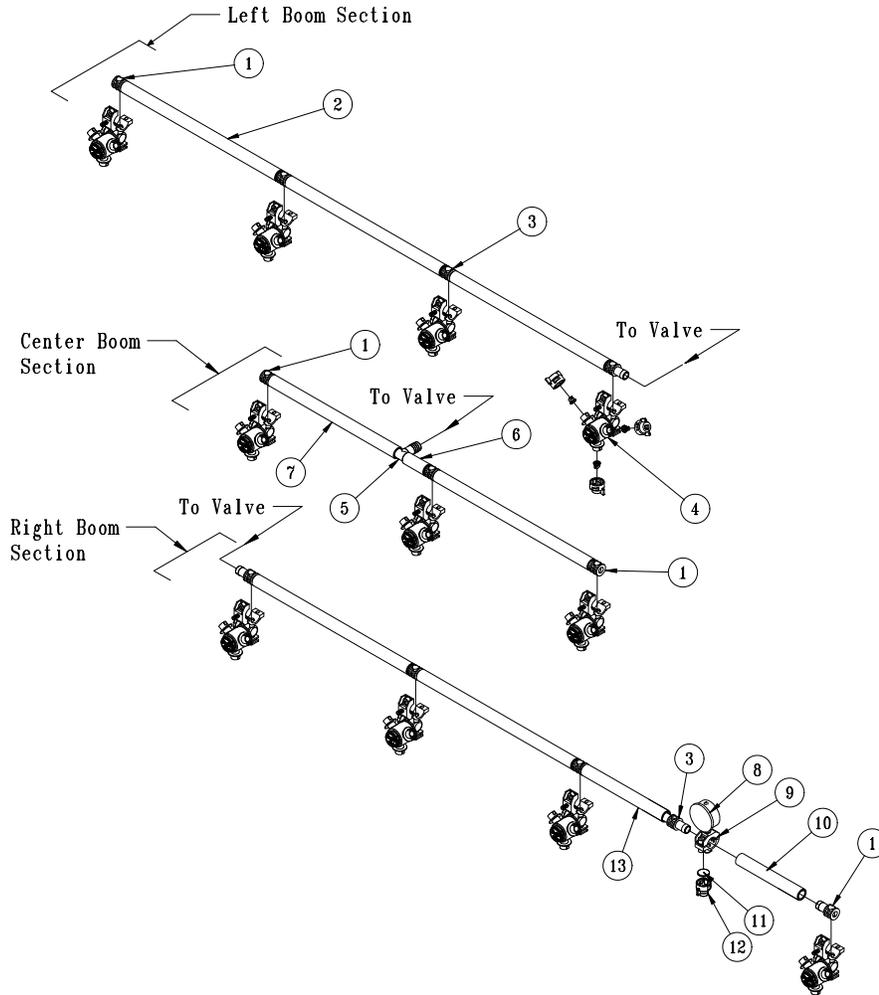


Accessories

## 17-585 18' HD SUPER BOOM PARTSLIST

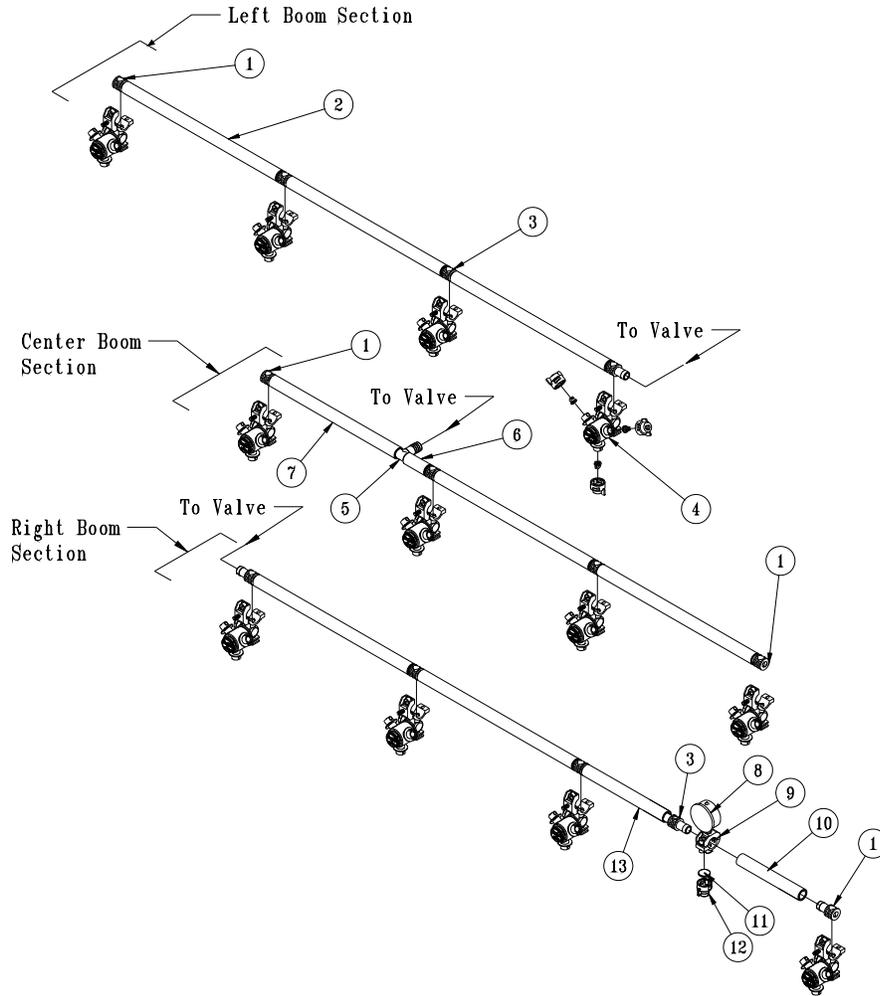
REF#	PART#	DESCRIPTION	QUANTITY
32	17-535	Clean Load Mount	1
33	HB-38-16-300	Bolt, $\frac{3}{8}$ - 16 x 3	2
	HNTL-38-16	Lock Nut, $\frac{3}{8}$ - 16	2
34	HB-12-13-300	Bolt, $\frac{1}{2}$ - 13 x 3	2
	HNTL-12-13	Lock Nut, $\frac{1}{2}$ - 13	2
35	17-593	Limit Hinge, LH	1
	17-598	Torsion Spring, LH	1
36	17-592	Lock Hinge, LH	1
37	HB-38-16-300	Bolt, $\frac{3}{8}$ - 16 x 3	2
	HW-38	Washer, $\frac{3}{8}$	2
	HNTL-38-16	Lock Nut, $\frac{3}{8}$ - 16	2
38	17-619	Tube Cap	4
39	30-258	Ribbed 1" Plug	10

# 17-585 18' HD SUPER BOOM PLUMBING



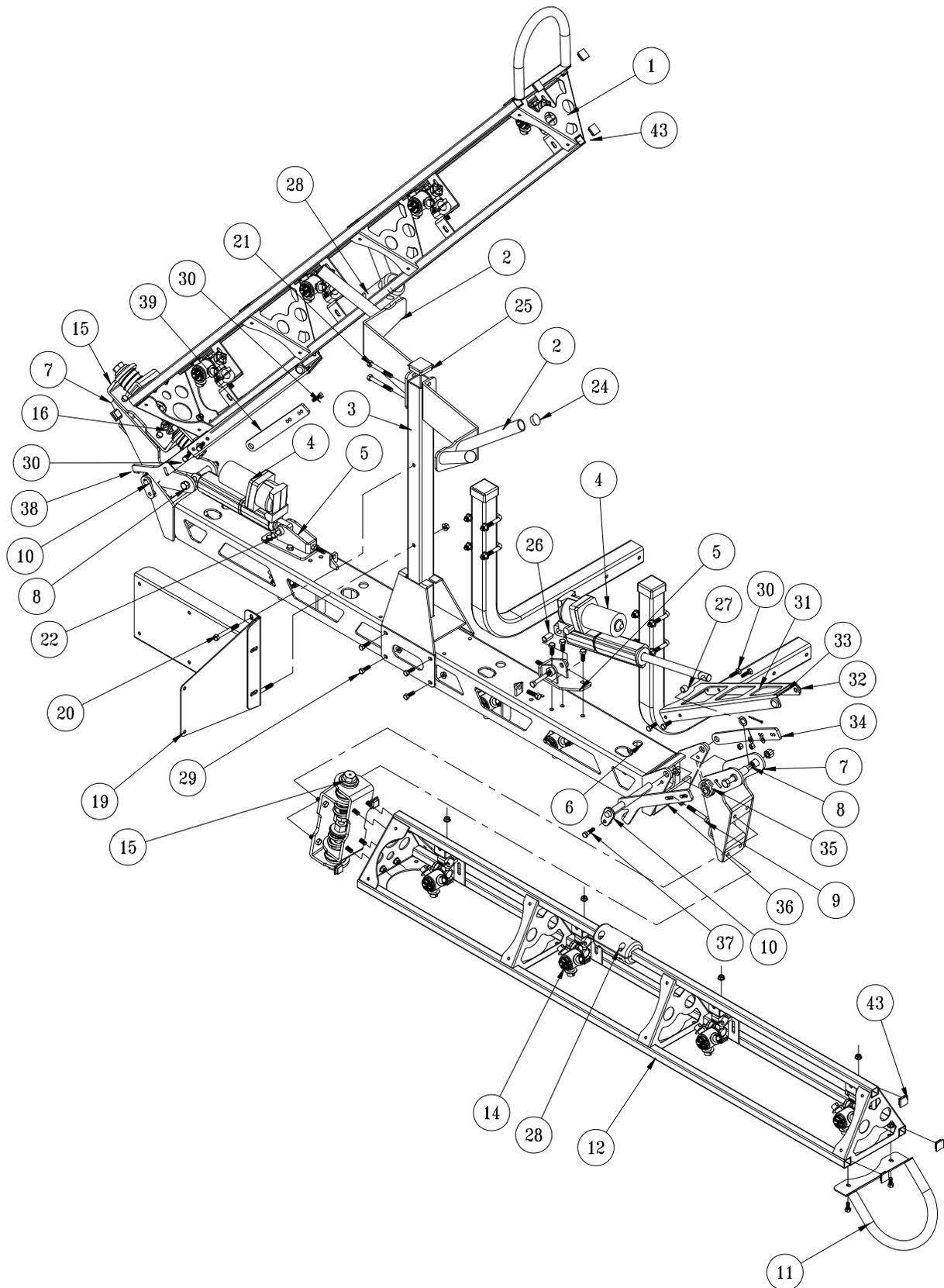
REF#	PART#	DESCRIPTION	QUANTITY
1	18-417	Single Barb	4
2	8887-19	Orange PVC Hose $\frac{3}{4}$ " x 19"	6
	18-040	Hose Clamp	12
3	18-416	Double Barb	8
4	33-506	Nozzle body (see nozzle drawing)	11
5	18-415	$\frac{3}{4}$ " Hose Barb	1
6	8887-2.5	Orange PVC Hose $\frac{3}{4}$ " x 2 $\frac{1}{2}$ "	1
	18-040	Hose Clamp	2
7	8887-15.5	Orange PVC Hose $\frac{3}{4}$ " x 15 $\frac{1}{2}$ "	1
	18-040	Hose Clamp	2
8	16-281	Gauge	1
9	17-602	Nozzle Body	1
10	8887-5	Orange PVC Hose $\frac{3}{4}$ " x 5"	1
	18-040	Hose Clamp	2
11	16-800	Strainer	1
12	16-921	Nozzle	1
13	8887-13	Orange PVC Hose $\frac{3}{4}$ " x 13"	1
	18-040	Hose Clamp	2

# 17-580 20' HD SUPER BOOM PLUMBING



REF#	PART#	DESCRIPTION	QUANTITY
1	18-417	Single Barb	4
2	8887-19	Orange PVC Hose $\frac{3}{4}$ " x 19"	7
	18-040	Hose Clamp	14
3	18-416	Double Barb	9
4	33-506	Nozzle body (see nozzle drawing)	12
5	18-415	$\frac{3}{4}$ " Hose Barb	1
6	8887-2.5	Orange PVC Hose $\frac{3}{4}$ " x 2 $\frac{1}{2}$ "	1
	18-040	Hose Clamp	2
7	8887-15.5	Orange PVC Hose $\frac{3}{4}$ " x 15 $\frac{1}{2}$ "	1
	18-040	Hose Clamp	2
8	16-281	Gauge	1
9	17-602	Nozzle Body	1
10	8887-5	Orange PVC Hose $\frac{3}{4}$ " x 5"	1
	18-040	Hose Clamp	2
11	16-800	Strainer	1
12	16-921	Nozzle	1
13	8887-13	Orange PVC Hose $\frac{3}{4}$ " x 13"	1
	18-040	Hose Clamp	2

# 17-580 20' HD SUPER BOOM DRAWING



Accessories

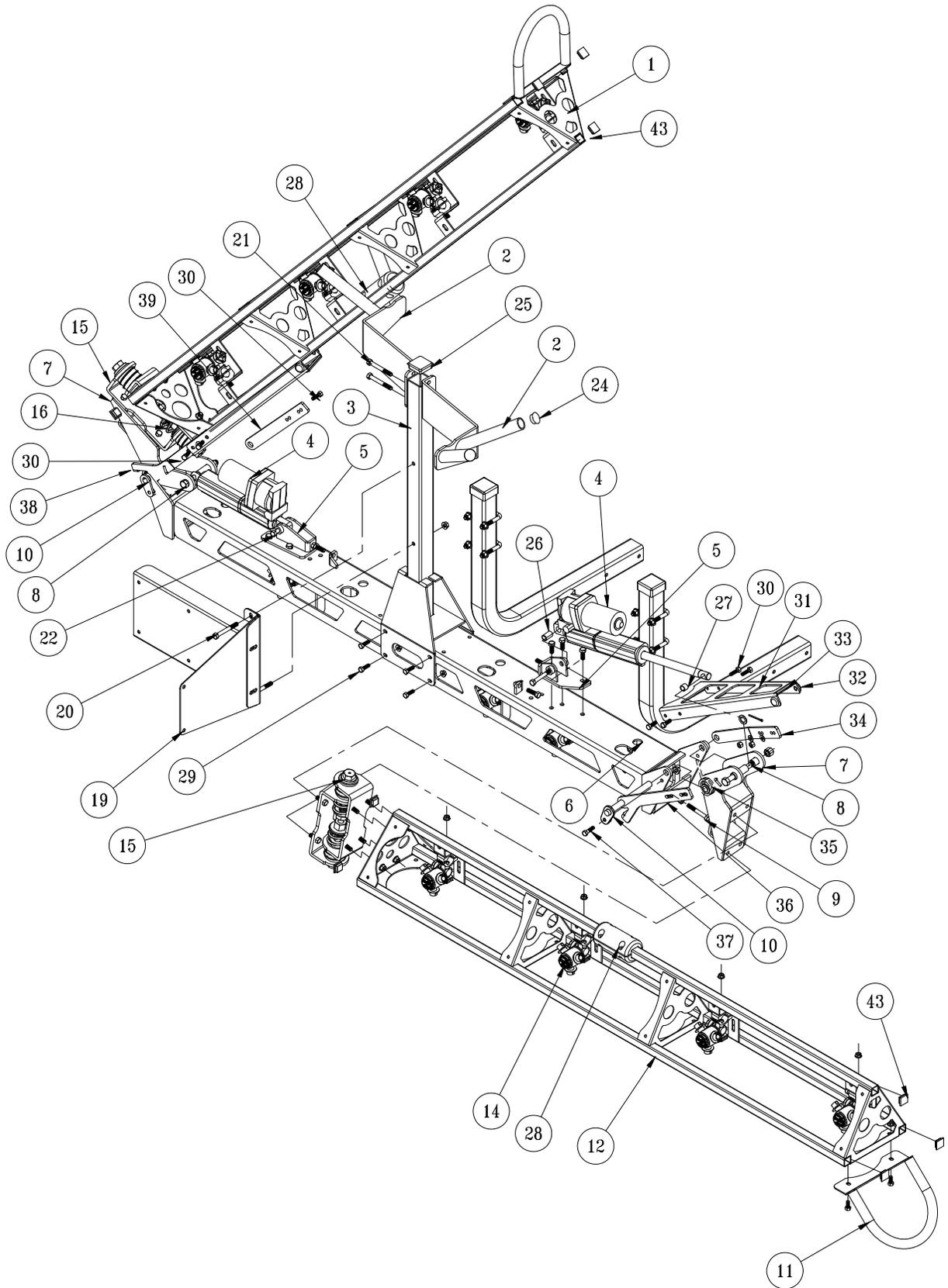
## 17-580 20' HD SUPER BOOM PARTS LIST

REF#	PART#	DESCRIPTION	QUANTITY
1	17-531	Left Boom Arm	1
2	17-631	V-Boom Nest	2
3	17-578	Boom Nest Post	1
4	30-214	10" Electric Hydraulic Actuator	2
5	30-184	Actuator Mount	2
	HB-38-16-100	Bolt, $\frac{3}{8}$ - 16 x 1	6
	HW-38	Washer, $\frac{3}{8}$	6
	HNFL-38-16	Flange Lock Nut, $\frac{3}{8}$ - 16	6
6	17-579	Boom Center	1
7	30-185	Arm Pivot Hinge	2
	76-128	Bushing	4
8	HB-12-13-500	Bolt, $\frac{1}{2}$ - 13 x 5	2
	HNTL-12-13	Lock Nut, $\frac{1}{2}$ - 13	2
9	HB-38-16-150	Bolt, $\frac{3}{8}$ - 16 x $1\frac{1}{2}$	2
	HNFL-38-16	Flange Lock Nut, $\frac{3}{8}$ - 16	4
10	17-596	Hinge Pin w/Spacer	2
	HP-18-100	Cotter Pin, $\frac{1}{8}$ x 1	2
11	17-541	Boom End Guard	2
	HBFL-516-18-075	Bolt, $\frac{5}{16}$ - 18 x $\frac{3}{4}$	4
	HNFL-516-18	Flange Lock Nut, $\frac{5}{16}$ - 18	4
12	17-532	Right Boom Arm	1
14	33-506	Body (see nozzle drawing)	12
	HB-516-18-100	Bolt, $\frac{5}{16}$ - 18 x 1	12
	HNFL-516-18	Flange Lock Nut, $\frac{5}{16}$ - 18	12
15	17-632	Boom Hinge Complete	2
	HB-38-16-100	Bolt, $\frac{3}{8}$ - 16 x 1	8
	HNFL-38-16	Lock Nut, $\frac{3}{8}$ - 16	8
	HB-516-18-100	Bolt, $\frac{5}{16}$ - 18 x 1	8
	HW-516	Washer, $\frac{5}{16}$	8
	HNFL-516-18	Flange Lock Nut, $\frac{5}{16}$ - 18	8
19	17-535	Clean Load Mount	1
20	HB-38-16-300	Bolt, $\frac{3}{8}$ - 16 x 3	2
	HNTL-38-16	Lock Nut, $\frac{3}{8}$ - 16	2
21	HB-38-16-300	Bolt, $\frac{3}{8}$ - 16 x 3	2
	HW-38	Washer, $\frac{3}{8}$	2
	HNTL-38-16	Lock Nut, $\frac{3}{8}$ - 16	2
22	HB-12-13-300	Bolt, $\frac{1}{2}$ - 13 x 3	2
	HNTL-12-13	Lock Nut, $\frac{1}{2}$ - 13	2
24	17-619	Push in Plug	4
25	18-297	Cap Plug	1
26	18-036	1" Bushing (part of 30-216)	2
27	18-234	$\frac{1}{2}$ " Bushing (part of 30-216)	2

(Continue on next page)



# 17-580 20' HD SUPER BOOM DRAWING

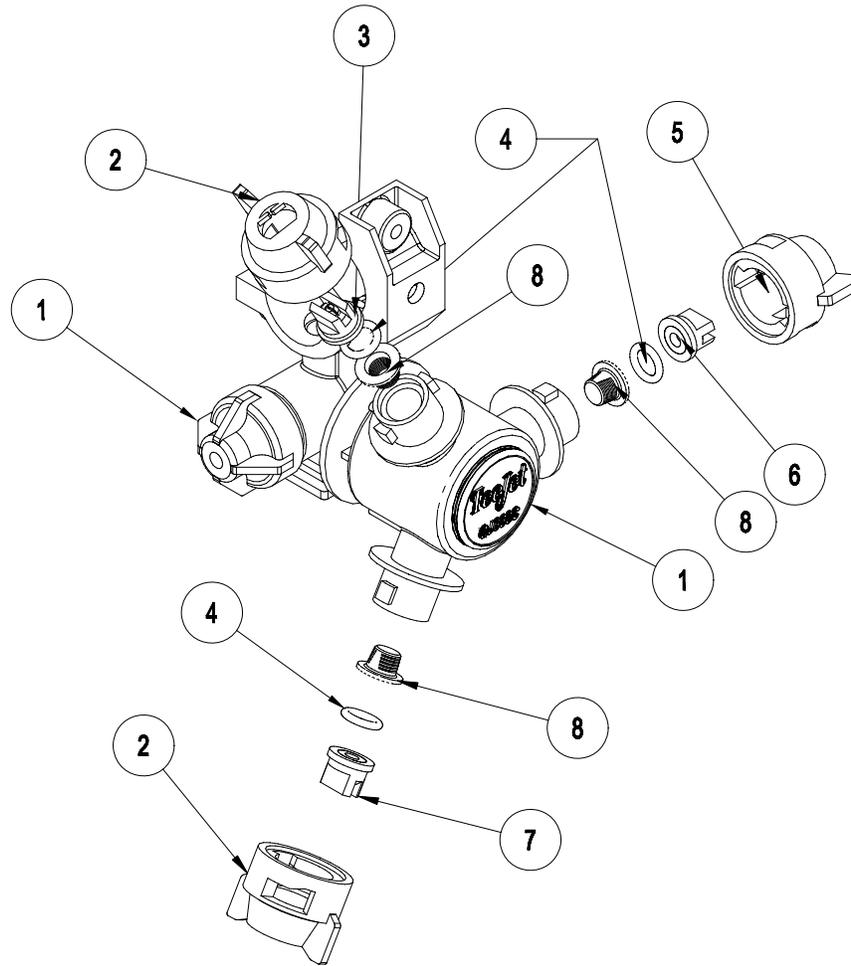


Accessories

## 17-580 20' HD SUPER BOOM PARTS LIST

REF#	PART#	DESCRIPTION	QUANTITY
28	17-573	Guide Block Set	2
	HB-14-20-125	Bol 1/4 -20 x 1 1/4	8
	HNTL-14-20	Lock Nut 1/4 - 20	8
29	HBFL-516-18-075	Bolt, 5/16 - 18 x 3/4	8
	HNFL-516-18	Flange Lock Nut, 5/16 - 18	8
30	HB-516-18-100	Bolt, 5/16 -16 x 1	8
	HW-516	Flat Washer, 5/16	8
	HNTL-516-18	Lock Nut, 5/16 - 18	8
31	17-587	Boom Lock	2
32	42-116	Rubber Insert	4
33	8803-2.75	Trim Lace, 2 3/4	2
34	17-588	Lock Hinge, RH	1
35	17-597	Torsion Spring, RH	1
36	17-589	Limit Hinge, RH	1
37	HB-516-18-100	Bolt, 5/16 -16 x 1	2
	HNFL-516-18	Flange Lock Nut, 5/16 - 18	2
38	17-593	Limit Hinge, LH	1
	17-598	Torsion Spring, LH	1
39	17-592	Lock Hinge, LH	1
43	30-258	1" 10-14ga Ribbed Plug	10

# TRIPLE NOZZLE ASSEMBLY



REF#	PART#	DESCRIPTION	QUANTITY
1	33-506	Body	1
2	33-538	Cap - Gray	2
3	33-553	Nozzle -Gray (XR11006-VS)	1
4	16-800	Viton Gasket	3
5	33-537	Cap - Red	1
6	33-552	Nozzle - Red (XR11004-VS)	1
7	33-554	Nozzle - White (XR11008-VS)	1
8	16-802	Strainer	3

Quantity is per nozzle body. For 18' booms multiply quantity by 11.

Quantity is per nozzle body. For 20' booms multiply quantity by 12.

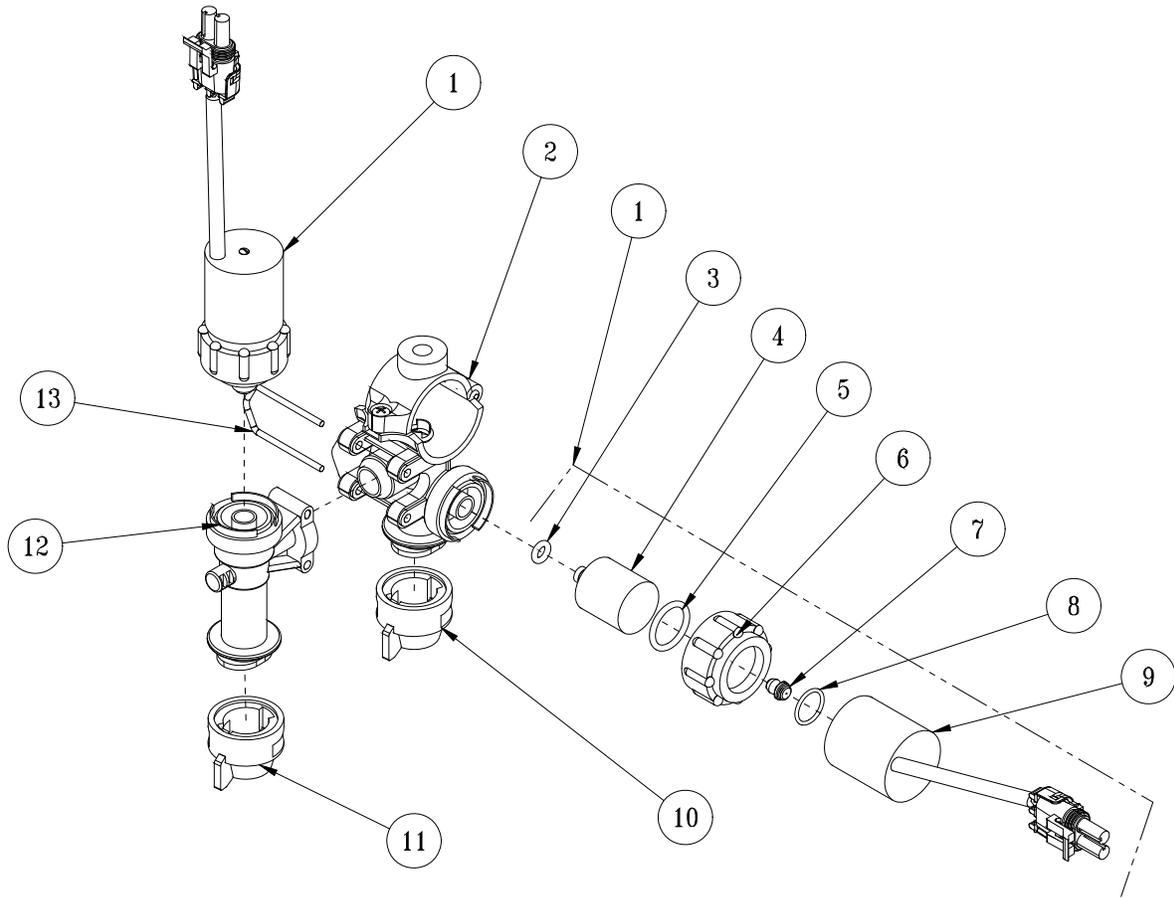
Nozzles are located 20" (51 cm) apart on the right, left, and center tubes. Nozzles are 20" high off ground.

For reordering Nozzle Kits the following numbers apply

33-540 Triple Nozzle Kit for 18' Booms

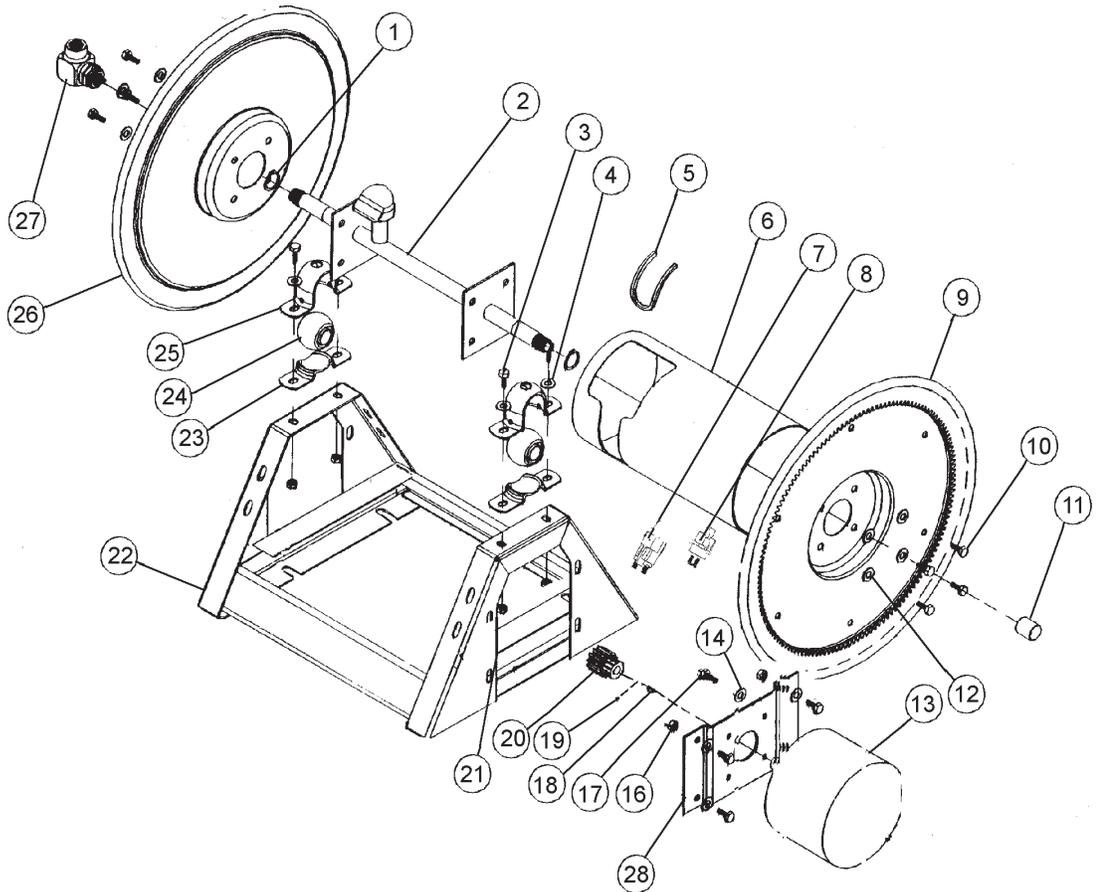
33-542 Triple Nozzle Kit for 20' Booms

# STAR COMMAND NOZZLE VALVE ASSEMBLY



REF#	PART#	DESCRIPTION	QUANTITY
1	30-168-05	Complete Nozzle Valve Assembly (includes * items)	2
2	30-168-12	CRII Saddle Assembly	1
3*	30-168-20	O-ring	1
4*	30-168-26	Valve Body	1
5*	30-168-18	O-ring	1
6*	30-168-25	Fly Nut	1
7*	30-168-17	Plunger	1
8*	30-168-19	O-ring	1
9*	30-168-21	Coil	1
10	30-168-13	Combo-Jet SR110-10	1
11	30-168-14	Combo-Jet MR110-10`	1
12	30-168-22	End Body Assembly	1
13	30-168-15	Lock U-Clip	1
	30-170	Double Barb For SharpShooter	
	30-169	Single Barb for SharpShooter	
	30-168-28	O-ring for Double or Single Barb	

# 30-010 ELECTRIC HOSE REEL DRAWING

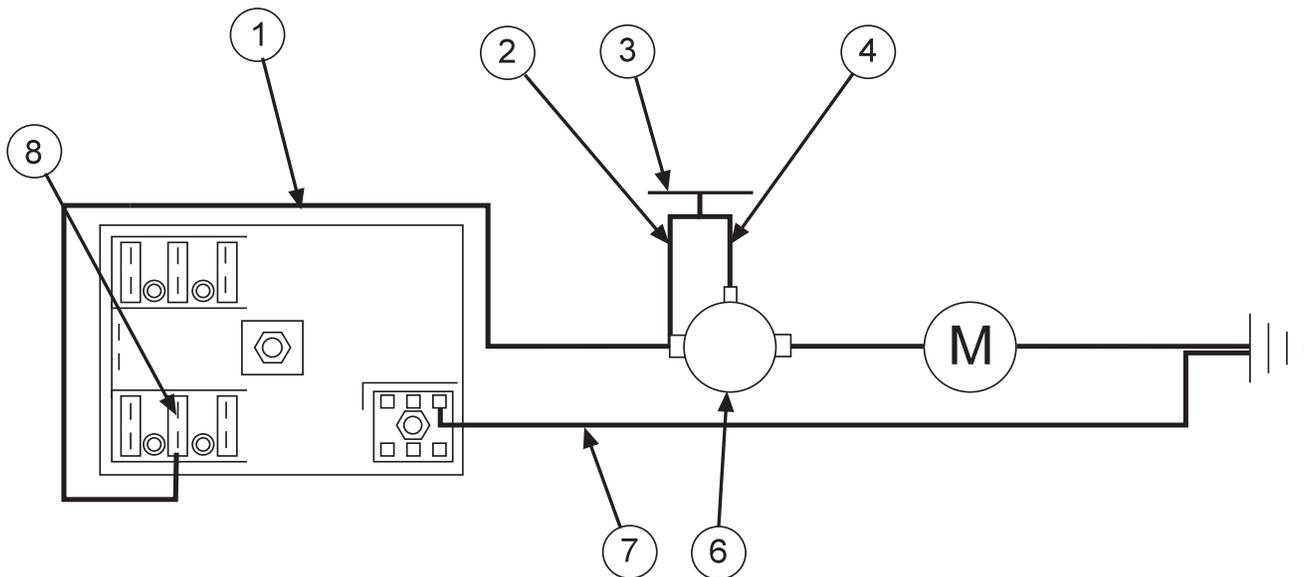


Accessories

## 30-010 ELECTRIC HOSE REEL PARTS LIST

REF#	PART#	DESCRIPTION	QUANTITY
1	16-906-25	Retaining Ring	2
2	16-906-22	Axle Assembly	1
3	HB-38-16-100	Bolt $\frac{3}{8}$ - 16 x 1	4
4	HW-38	Washer $\frac{3}{8}$	4
5	16-906-27	Trim, Drum Edge	1
6	16-906-21	Drum Center	1
7	13-750	Solenoid	1
	HB-14-20-075	Bolt $\frac{1}{4}$ - 20 x $\frac{3}{4}$	2
	HWL-14	Lockwasher $\frac{1}{4}$	2
	HN-14-20	Nut $\frac{1}{4}$ - 20	2
8	33-251	Switch	1
9	16-906-19	Disc and Gear Assembly	1
10	HB-516-18-075	Bolt $\frac{5}{16}$ - 18 x $\frac{3}{4}$	8
11	16-906-26	Pipe Cap $\frac{3}{4}$	1
12	HWL-516	Lockwasher $\frac{5}{16}$	8
13		Motor 12VDC	1
14	HW-516	Washer $\frac{5}{16}$	4
16	HNTL-516-18	Lock Nut $\frac{5}{16}$ - 18	4
17	HB-516-18-100	Bolt $\frac{5}{16}$ -18 x 1	4
18	16-906-17	Key	1
19		Set Screw	2
20	16-906-29	Pinion	1
21	HNTL-38-16	Lock Nut $\frac{3}{8}$ - 16	4
22	16-906-18	Frame Assembly	1
23	16-906-08	Mounting Pillow Block (Bottom)	2
24	16-906-24	Bearing	2
25	16-906-07	Mounting Pillow Block (Top)	2
26	16-906-20	Disc 17 $\frac{1}{2}$	1
27	16-906-23	Swivel Assembly $\frac{3}{4}$	1
	16-906-30	Seal Kit (For 16-906-23)	1
28	16-906-28	Bracket 12VDC	1
	16-982	Electric Hose Reel (only)	1

# ELECTRIC HOSE REEL WIRING DIAGRAM



REF#	PART#	DESCRIPTION	QUANTITY
1	8843-132	Flexguard $\frac{3}{8}$ ID	1
	8919-144	10GA Red Wire 144"	1
	8901	Slide-On Connector	1
2	16-979	Wire, Switch to Solenoid Hot Terminal	1
3	33-251	Push Button Switch	1
4	16-978	Wire, Switch to Solenoid Start Terminal	1
6	13-750	Solenoid	1
<b>SOLENOID TERMINALS</b>			
7	HN -516-24	$\frac{5}{16}$ - 24 Hex Nut	2
	HN -10-32	10 - 32 Hex Nut	1
	8931-144	10GA White Wire 144"	1
8	8901	Slide-On Connector	1
	33-273	Auto Blade Type Fuse 30Amp	1

## CONNECTION INSTRUCTIONS

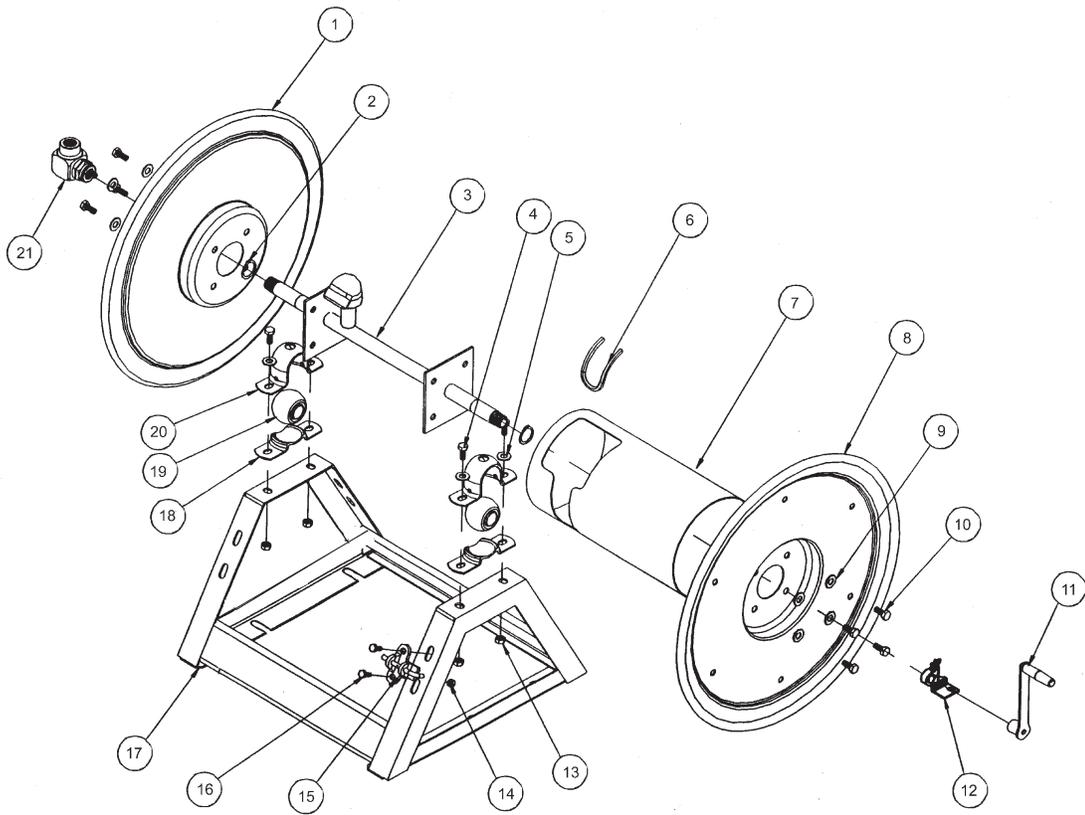
Route wire harness along side of tank and over to fuse block taking care to stay clear of moving parts or hot engine components. Cut off excess wire and strip back  $\frac{3}{8}$ ". Place one 8963 heat shrink ( $\frac{1}{4} \times 1\frac{1}{4}$ ") on each wire before crimping 8901 slide on connectors to the red and white wires. Connect the two wires to the fuse block first the red to the (+) positive and the white to the (-) negative. Put the 33-273 auto blade type fuse (30 amp) into fuse block.



**Make certain you are connecting positive (+) to positive; negative (-) to negative while attaching power leads. If you do not observe polarity, damage will result to electrical components.**

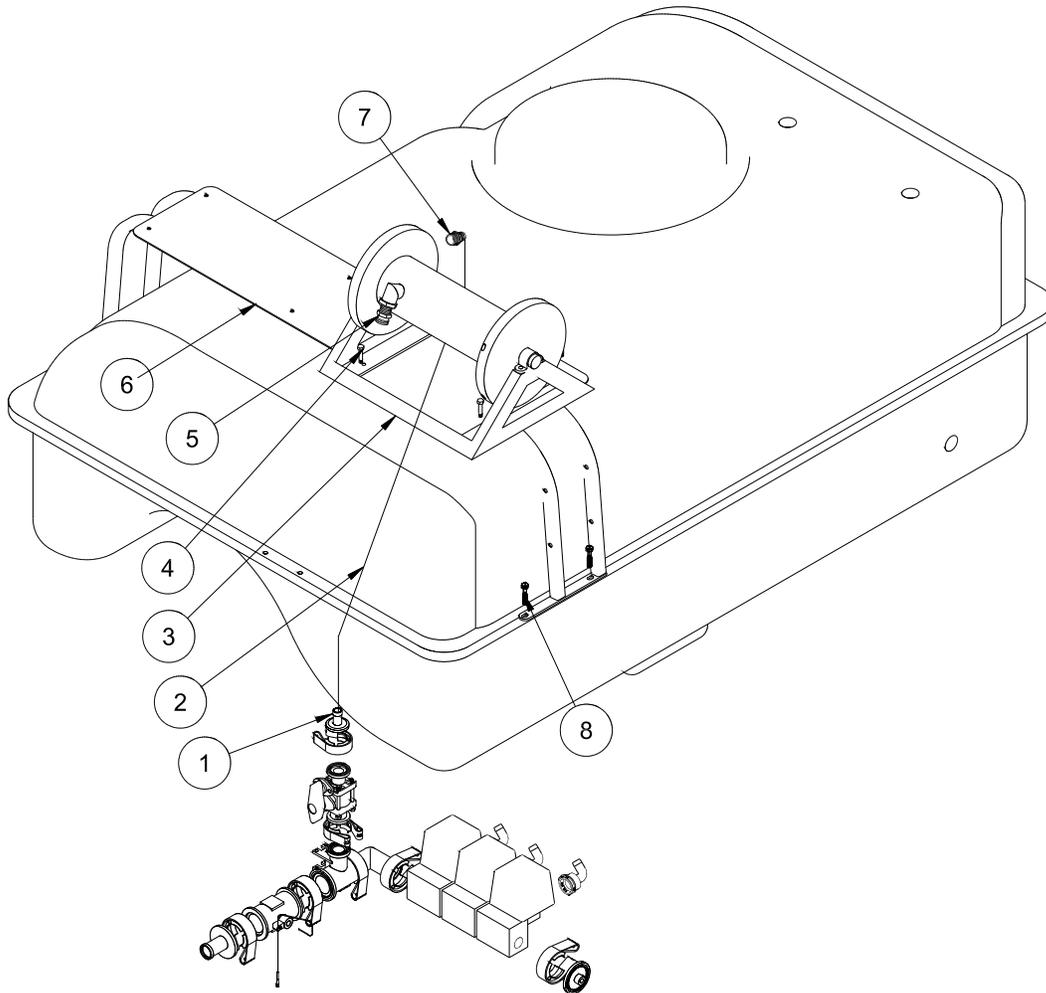
*Use Dielectric Grease On All Electrical Connections*

# 30-009 MANUAL HOSE REEL DRAWING



REF#	PART#	DESCRIPTION	QUANTITY
1	16-129-11	Disc 17 <sup>1</sup> / <sub>2</sub>	1
2	16-906-25	Retaining Ring	2
3	16-906-22	Axle Assembly <sup>3</sup> / <sub>4</sub>	1
4	HB-38-16-100	Bolt <sup>3</sup> / <sub>8</sub> - 16 x 1	4
5	HW-38	Washer <sup>3</sup> / <sub>8</sub>	4
6	16-906-27	Trim, Drum Edge	1
7	16-906-21	Drum Center	1
8	16-906-20	Disc 17 <sup>1</sup> / <sub>2</sub> , Crank Side	1
9	HWL-516	Lockwasher <sup>5</sup> / <sub>16</sub>	8
10	HB-516-18-075	Bolt <sup>5</sup> / <sub>16</sub> - 18 x <sup>3</sup> / <sub>4</sub>	8
11	16-129-09	Crank Assembly <sup>3</sup> / <sub>4</sub>	1
12	16-129-10	Brake Assembly <sup>3</sup> / <sub>4</sub>	1
13	HNTL-38-16	Lock Nut <sup>3</sup> / <sub>8</sub> - 16	4
14	HNTL-516-18	Lock Nut <sup>5</sup> / <sub>16</sub> - 18	2
15	16-129-03	Lock Pin Assembly	1
16	HB-516-18-075	Bolt <sup>5</sup> / <sub>16</sub> - 18 x <sup>3</sup> / <sub>4</sub>	2
	HW-516	Washer <sup>5</sup> / <sub>16</sub>	2
17	16-129-07	Frame Assembly	1
18	16-906-08	Mounting Pillow Block (Bottom)	2
19	16-906-24	Bearing	2
20	16-906-07	Mounting Pillow Block (Top)	2
21	16-906-23	Swivel Assembly <sup>3</sup> / <sub>4</sub>	1
	16-906-30	Seal Kit ( For 16-906-23 )	1

# HOSE REEL MOUNT DRAWING



## HOSE REEL MOUNT PARTS LIST

REF#	PART#	DESCRIPTION	QUANTITY
1	15-749	Hose Barb $\frac{3}{4}$ "	1
2	8887-110	$\frac{3}{4}$ " Orange PVC Hose 110"	1
	18-040	Hose Clamp	2
3	16-129	Manual Rewind Hose Reel	1
4	HB-516-18-150	Bolt $\frac{5}{16}$ -18 x $1\frac{1}{2}$	4
	HW-516	Washer $\frac{5}{16}$	4
	HNTL-516-18	Lock Nut $\frac{5}{16}$ - 18	4
5	16-295	Hose Fitting $\frac{3}{4}$ "	1
6		Hose Reel Mount bracket (part of machine)	1
7	18-249	Barb Fitting	1
8	HB-516-18-175	Bolt, $\frac{5}{16}$ -18 x $1\frac{3}{4}$	4
	HNFL-516-18	Flange Lock Nut, $\frac{5}{16}$ - 18	4

1. Wear protective clothing when draining the tank and taking apart the lines.
2. Drain tank and spray system in a safe and approved method insuring that no chemical or water remain in tank as you will be taking apart lines.
3. Remove key from ignition, set park brake and block wheels.
4. Put hose reel on hose reel bracket with fitting to the rear of machine. Use four bolts  $\frac{5}{16}$  - 18 x  $1\frac{1}{2}$  and four  $\frac{5}{16}$  - 18 lock nuts to hold in place. Tighten bolts.
5. Put 18-249 barb fitting into hose reel side.
6. Place the 16-295 Hose Fitting into the Hose reel center.
7. Remove the blank cover from the ball valve by the manifold valve and place the 15-749 Hose Barb. Tighten clamp.
8. Route hose from the hose barb on the ball valve to the barb fitting on the side of the hose reel. Hold in place with the two 18-040 clamps.
9. Be sure all clamps and hardware are tight before using.

## HOSE REEL ADJUSTMENTS

### OPERATIONAL CHECK:

1. Pull hose off drum at least one full revolution. A clicking noise should be heard from locking mechanism.
2. Let the hose retract.
3. Pull the hose off until the first click is heard. Drum should lock when the hose tension is removed.
4. Continue pulling the hose, no more than one revolution, until no clicking is heard. Hose should rewind when tension is removed.

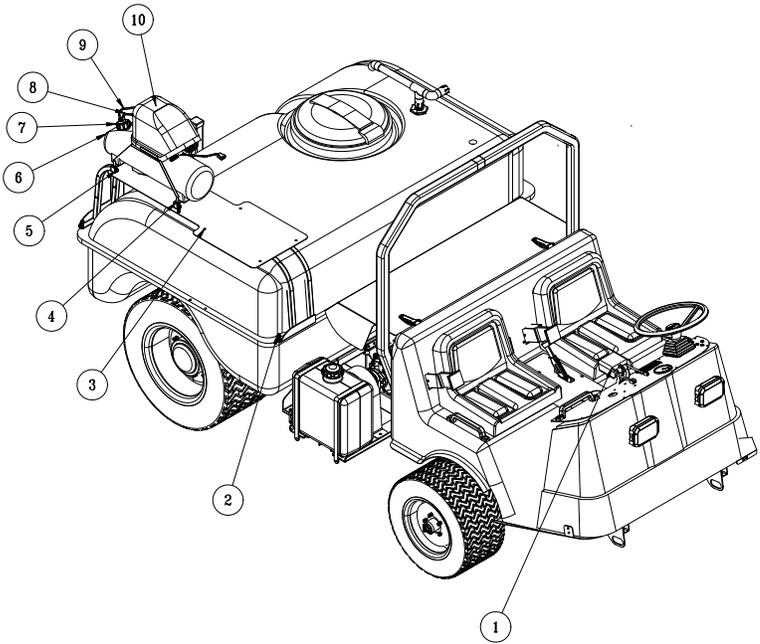
### HOSE REPLACEMENT PROCEDURE:

1. Facing swivel, turn the hose drum clockwise until all of the hose is removed from the drum and the drum is held by locking mechanism. Make sure spring is locked.
2. Remove hose clamps and disconnect hose from swivel. Remove old hose.
3. Insert new hose through roller guide, connect to swivel and reinstall hose clamps. Use spring guard over hose to protect the hose from being cut by the drum.
4. Remove check ball from old hose and install on replacement hose.
5. Carefully, keeping the tension on the hose, pull the hose to release the locking mechanism. Let the hose wind on the drum.

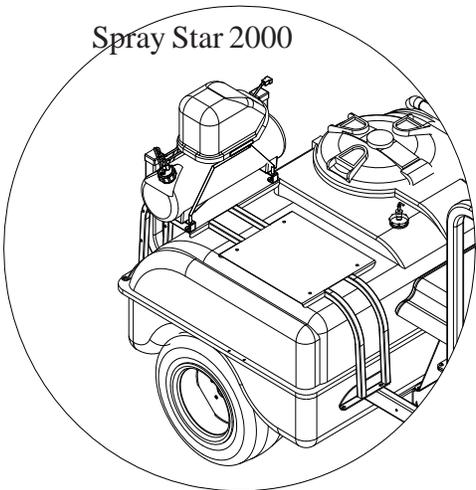
# 30-004 FOAM MARKER DRAWING



Spray Star 3180

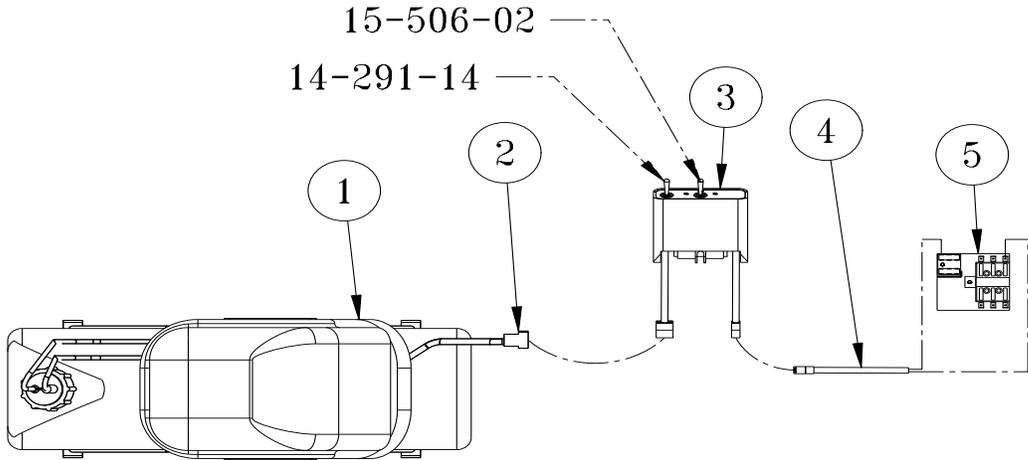


Spray Star 2000



# WIRING DRAWING

Accessories



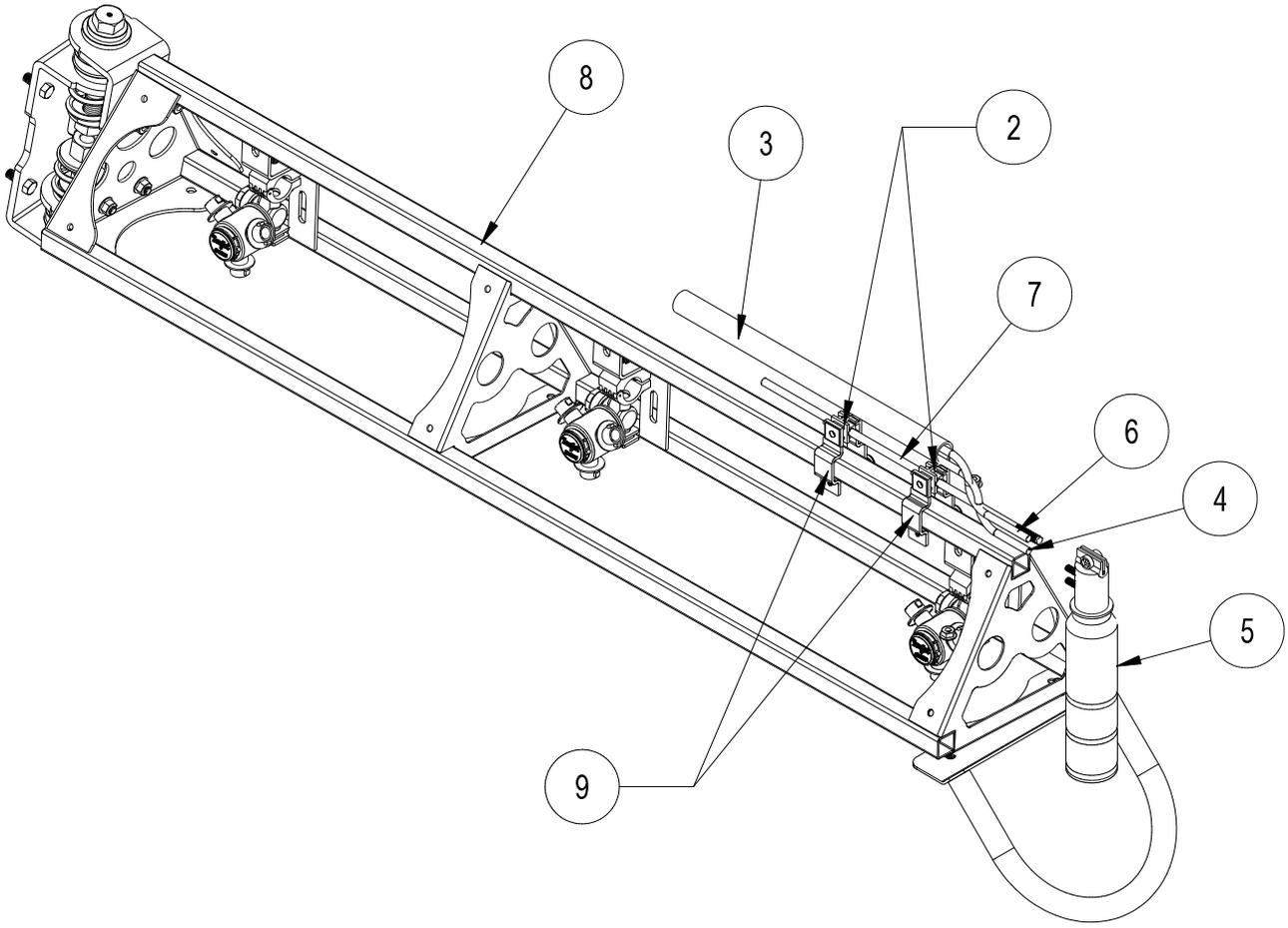
## 30-004 FOAM MARKER PARTS LIST

REF#	PART#	DESCRIPTION	QUANTITY
1*	14-291-05	Double Switch Box	1
	33-508	Fuse	1
	15-506-02	Center Switch	1
	14-291-14	Switch	1
2	HB-516-18-175	Bolt, $\frac{5}{16}$ -18 x $1\frac{3}{4}$ (part of machine)	4
	HNFL-516-18	Flange Lock Nut, $\frac{5}{16}$ -18 (part of machine)	4
3		Mount Bracket (part of machine)	1
4*	14-291-04	Tank Bracket	2
5	HN-14-20-075	Hex Bolt, $\frac{1}{4}$ -20 x $\frac{3}{4}$	2
	HBFL-14-20	Flange Lock Nut, $\frac{1}{4}$ -20	2
6*	14-291-02	Foamer Tank	1
7*	14-284-02	Cap Assembly	1
8*		Blue Tube	1
9*		Clear Tube	1
10*	14-291-03	Compressor Only	1
	14-291-01	Black Cover	1
*	14-291	Foamer (includes * parts)	1

## WIRING PARTS LIST

REF#	PART#	DESCRIPTION	QUANTITY
1	14-291-03	Compressor	1
2	15-504-04	Wiring Harness	1
3	14-291-05	Switch Box	1
	33-508	Fuse	1
	15-506-02	Center Switch	1
	14-291-14	Outside Switch	1
4	15-509	Power Cable	1
5	33-271	Fuse Block (part of machine)	1
	33-293	Auto Blade Type Fuse 30 amp	1

**FOAMER NOZZLE MOUNT & HOSE GUARD MOUNT DRAWING**



Accessories

## 30-004 FOAM MARKER PARTS LIST

REF#	PART#	DESCRIPTION	QUANTITY
2	16-987	Foam Nozzle Mounting Kit	1 per boom
3	15-507	Foamer Tubing	1
4		Clear Tubing	
5	15-511	Foam Nozzle	2
6		Blue Tubing	
7	15-510-01	Nozzle Mounting Rod	2
8		Boom	
9	16-795	Square Clamp	4

- Slide hose clamp onto drop tube of foam nozzle and attach restrictor bell.
- Place splined end of Nozzle mounting rod (Ref 7) into top of foam nozzle (Ref 5). Tighten screw.
- Slide two foam nozzle mounts (Ref 2) onto the rod. Place square clamps (Ref 9) on foam nozzle mounts and mount the square clamps to the boom (Ref 8). Adjust foam nozzle mounts and clamps so nozzle assembly will clear end of boom. Tighten foam nozzle mounts and square clamps to prevent side to side movement. Do the same to the other side.
- Being careful not to cut the tubing (Ref 3), cut the oversleeve back approximately 2" (5 cm) to expose blue (Ref 6) and clear tubing (Ref 4).
- Remove blue wing nut from top connector of foam nozzle and slide it on the blue tube with the threads facing toward end of tube. Slide blue tube all the way over the top of the small tube on foam nozzle. Slide wing nut back to the threads and hand tighten. Follow the same steps for the clear tube and tube nut.
- Route the tubing along underside of main frame using tie downs as necessary.
- Install opposite ends of air-liquid tubes to compressor, again cutting back the oversleeve approximately 2" (5 cm) and inserting blue and clear tubes for the left boom section into the tubing connectors (Ref A) on the right side of compressor as far as possible.
- Follow the same steps for the right boom tubing. Notice the right boom is inserted into left side of compressor. To release tubing from compressor, hold black ring around tubing, and pull tube out.
- Hose's must be routed on bottom of the boom square tubing.
- Install hose guard using 2 drill screws (you may want to drill a  $\frac{3}{16}$  pilot hole first).
- Place another hose guard against first and install in same manner.
- Repeat process for other boom side.
- Connect small plastic electrical plug under compressor to electrical extension cable.
- Cut cable and strip casing, allowing enough length to connect to fuse block.
- Strip and connect slide on connectors to each wire and use the heat shrink.
- Connect black negative (-) wire to the ground and connect red wire to the positive (+).
- Insert 10 amp fuse into slot which red wire was attached to.

# FOAM MARKER DRAWING

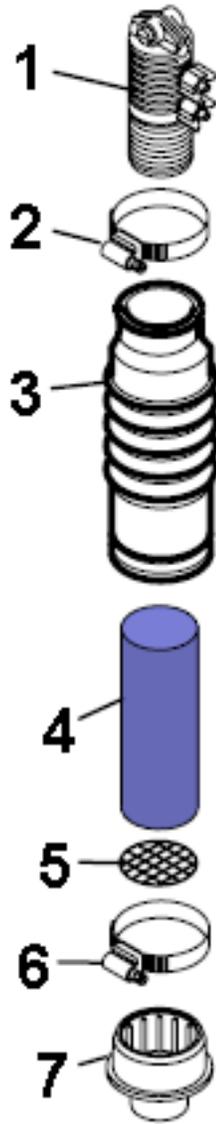


Accessories

REF#	PART#	DESCRIPTION	QUANTITY
1	15-507	Foamer Tubing	1
2	14-291-02	Tank	1
3	14-291-01	Black Cover	1
	14-536	Compressor Complete	1
4	14-284-02	Cap Assembly	1
5	14-291-04	Tank Bracket	1
6	14-291-05	Double Switch Box	1
7	15-511	Foam Nozzle	1
8	15-510-01	Nozzle Mounting Rod	1
9	16-987	Foam Nozzle Mounting Kit	1
	14-536	Compressor Subassembly	



# 15-511 FOAM NOZZLE SUB ASSEMBLY DRAWING

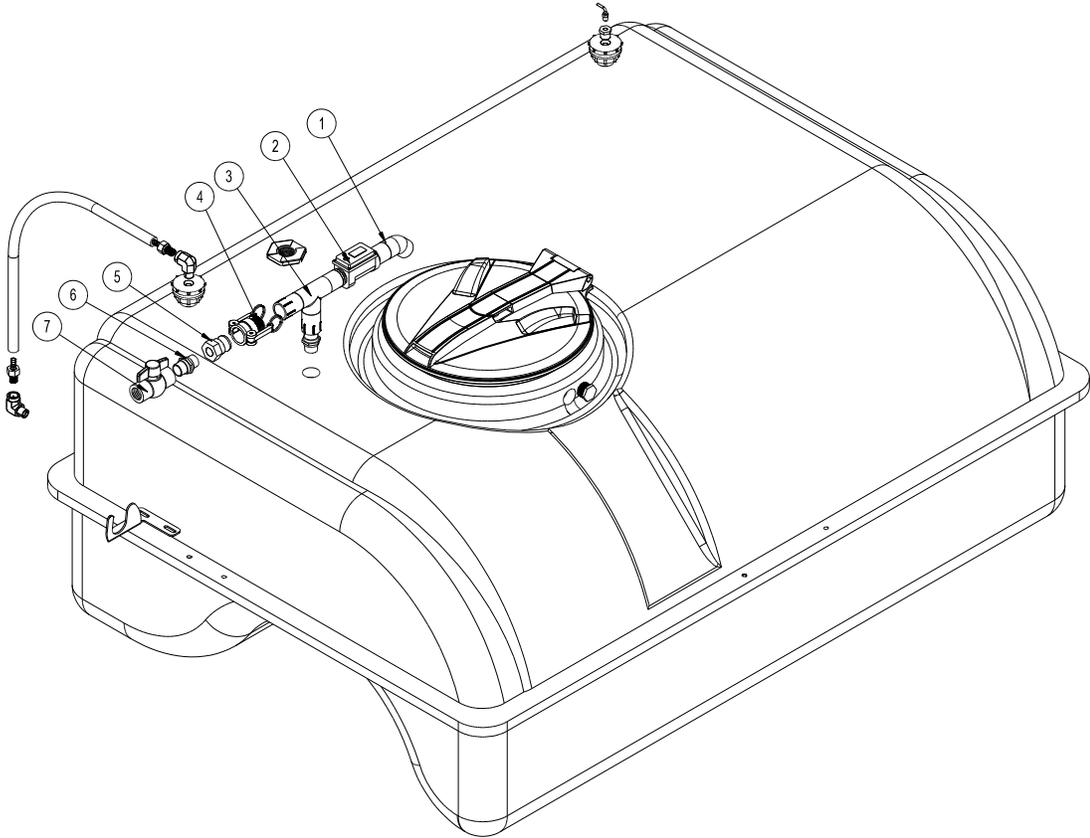


Accessories

REF#	PART#	DESCRIPTION	QUANTITY
1*	15-511-01	Foam Nozzle Inlet Body	1
	15-511-02	Foam Sponge	1
	15-511-10	Plastic Screen	1
2*		Hose Clamp	1
3*		Drop Tube	1
4	15-511-08	Long Foam Sponge	1
5	15-511-09	Stainless Steel Screen	1
6		Hose Clamp	1
7	14-284-09	Foam Nozzle Reducer	1
NS	15-510-01	Nozzle Mounting Rods	2
*	15-511-07	Foam Nozzle Sub Assembly	

## 14-515 WATER METER KIT (GALLONS)

## 15-618 WATER METER KIT (LITERS)



REF #	PART #	DESCRIPTION	QUANTITY
1	14-524	Filler Outlet	1
2	14-514	Water Meter (Gallons)	1
	14-527	Water Meter (Liters)	1
3	14-525	Filler Inlet	1
4	16-962	1" Quick Coupler (already on machine)	1
5	16-961	1" Adapter Quick Coupler (already on machine)	1
6	16-851	1" Nipple	1
7	18-448	1" Ball Valve	1

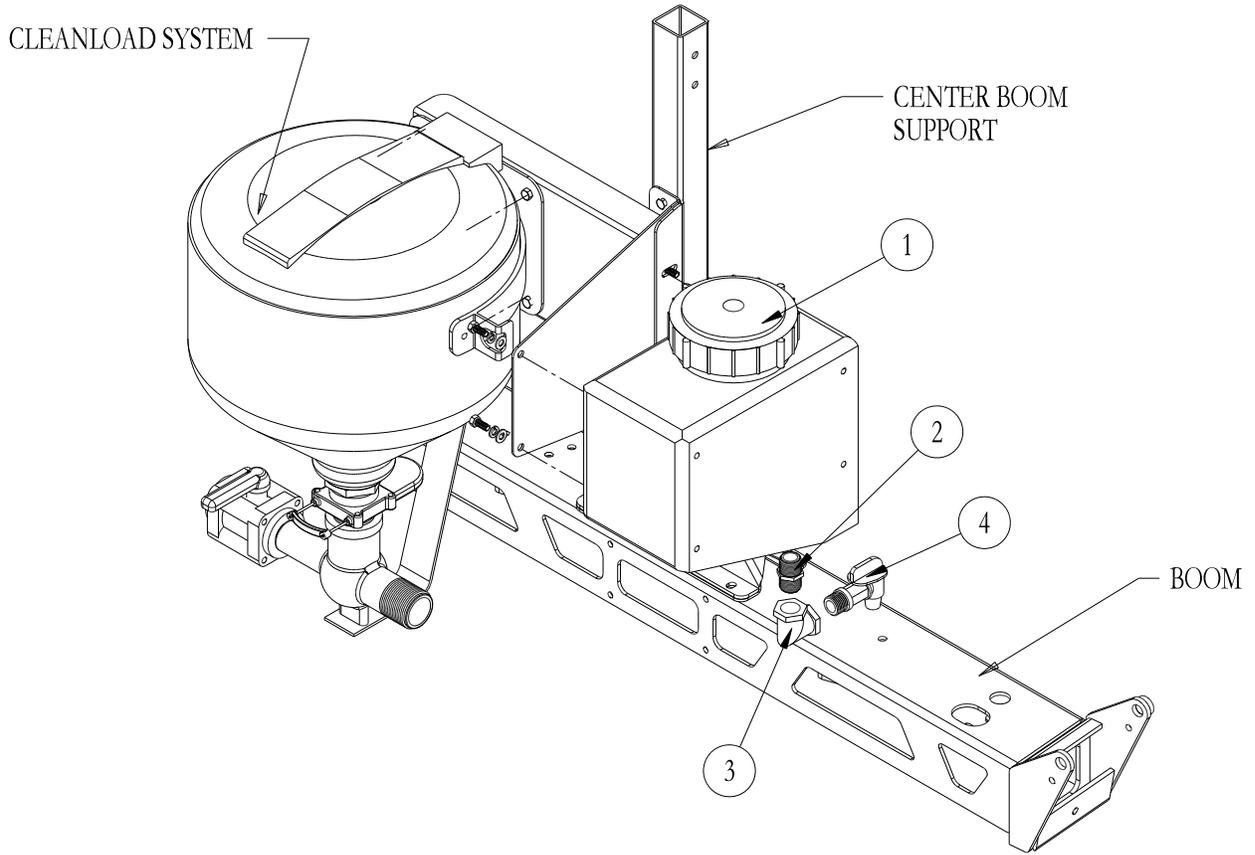
1. Thoroughly flush the service line upstream of the meter to remove dirt and debris.
2. The DLJ Meter is for use **only** with **COLD WATER** up to 122°F (50°C)
3. Slowly open any upstream valves to prevent damage to the meter.

### **Gallons to Cubic feet Conversion :**

Multiply gallons reading by 0.1337 to get cubic feet.

There are 7.48052 gallon per cubic foot.

# 30-006 FRESH WATER TANK DRAWING



Accessories

## 30-006 FRESH WATER TANK PARTS LIST

REF#	PART#	DESCRIPTION	QUANTITY
1	10-234	Wash Tank	1
2	16-158	Close Nipple	1
3	16-151	Elbow	1
4	16-960	Spigot	1
5	HB-516-18-075	Bolt $5/16$ - 18 x $3/4$	4
	HWL-516	Lockwasher $5/16$	4
	HW-516	Washer $5/16$	4

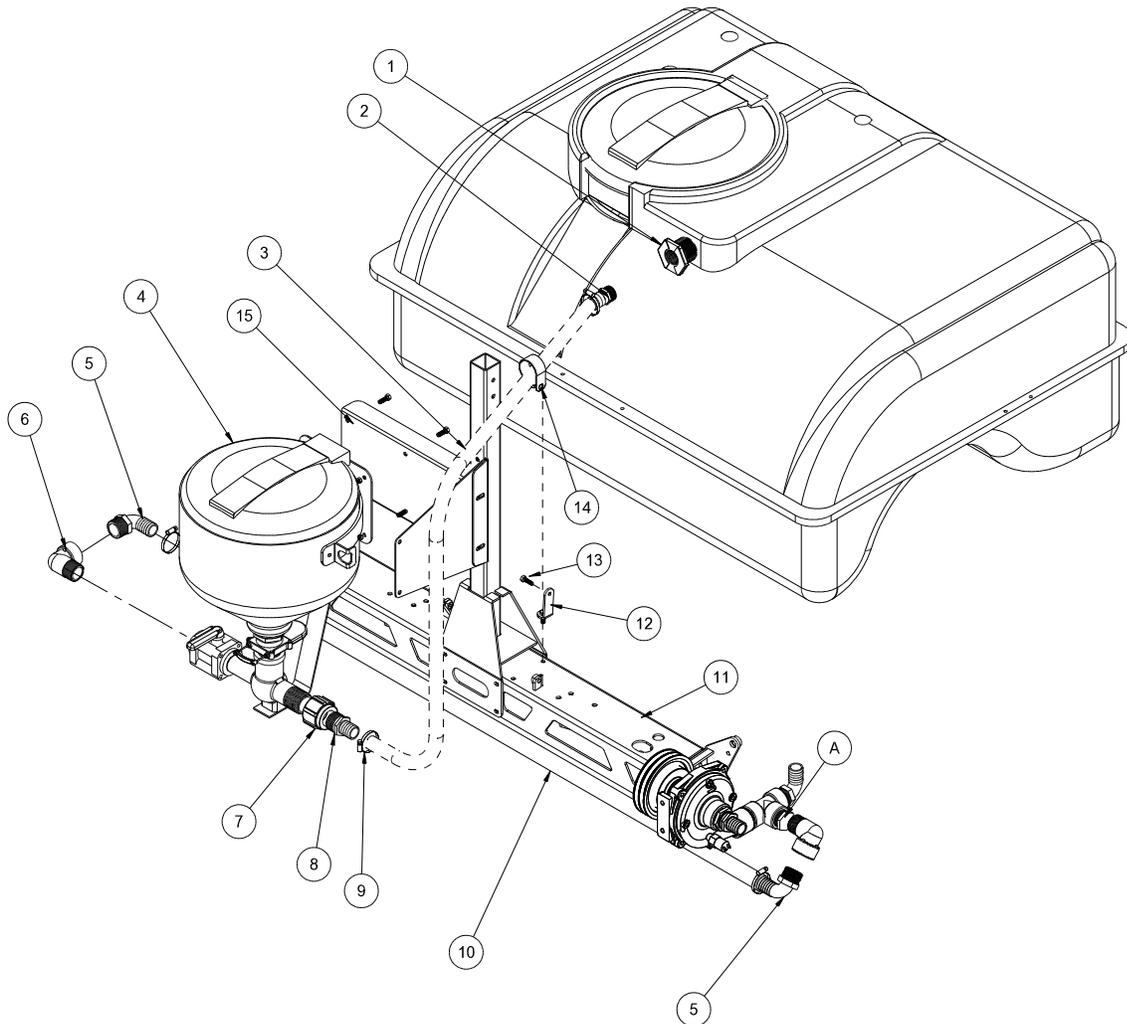
## INSTALLATION INSTRUCTIONS

1. Fresh Water Wash Tank mounts on the rear of all the machines.
2. The Bracket is already attached to the Super Boom center boom post.
3. Install the nipple (Ref 2), elbow (Ref 3) and spigot (Ref 4) into the bottom of wash tank (Ref 1). Use thread tape on all threads.
4. Mount the tank onto the mount bracket using four  $5/16$  x  $3/4$  bolts, washers and lockwashers. Tighten.
5. Rinse tank with clear water and check for leaks around fittings.



**This tank is for fresh clear water ONLY. Do not put chemicals in this tank.**

# 20-503 CHEMICAL CLEANLOAD DRAWING



REF#	PART #	DESCRIPTION	QUANTITY
1	16-945	Fitting (part of tank)	1
2	16-159	Fitting	1
3	8897-38	1 1/4" Discharge Hose 38"	1
4	15-620	Cleanload Assembly	1
5	16-156	Elbow	2
6	16-972	90° Elbow	1
7	18-391	Coupling	1
8	16-161	Fitting	1
9	18-116	Hose Clamp	4
10	8897-116	1 1/4" Discharge Hose 116"	1
11		Center Boom	
12	14-604	Loom Clamp Mount	1
13	HB-516-18-100	Bolt <sup>5</sup> / <sub>16</sub> - 18 x 1	2
	HNFL-516-18	Flange Lock Nut <sup>5</sup> / <sub>16</sub> - 18	2
14	HLC-A-200	Loom Clamp	1
15	17-535	Clean Load Mount (Part of boom)	1

# OPERATING INSTRUCTION

## START-UP

1. All Cleanload valves must be closed prior to starting: inlet ball valve, knife valve and hopper rinse ball valve.
2. Open lid to check for foreign objects which may hinder performance or contaminate the system.
3. Close and lock lid by turning cover clockwise.
4. Divert pump flow to Cleanload inlet line. A pressure of 30 PSI minimum and 150 PSI maximum must be used. Highest pressures increase education rate and available wand suction.
5. Turn inlet ball valve on (yellow handle).
6. Open knife valve, located on the bottom of hopper, by pushing handle in (red handle).
7. Unlock and open lid slowly by turning cover counterclockwise.

## LOADING LIQUID OR POWDERED CHEMICAL INTO HOPPER

8. Pour required amount of chemical into hopper. Avoid splashing liquids or powdered chemicals outside of hopper.
9. Rinse empty chemical containers if applicable. Place container opening over container rinse valve and press down. This will activate the rinse valve and rinse container.
10. Rinse Cleanload hopper. Close and lock lid by turning cover clockwise. Release the safety locking band on the hopper rinse ball valve and turn on for 20 seconds. Close ball valve and return locking band to locked position.
11. Open lid and inspect for chemical residue. Repeat step 10 as necessary.
12. Close knife valve by pulling red handle out towards you. Turn inlet (yellow handle) off.

## LOADING LIQUID AND/OR POWDERED CHEMICAL WITH SUCTION LANCE

**Note: Lance suction is dependent upon eductor pressure and flow. For best results, use highest pressure available up to 150 PSI maximum.**

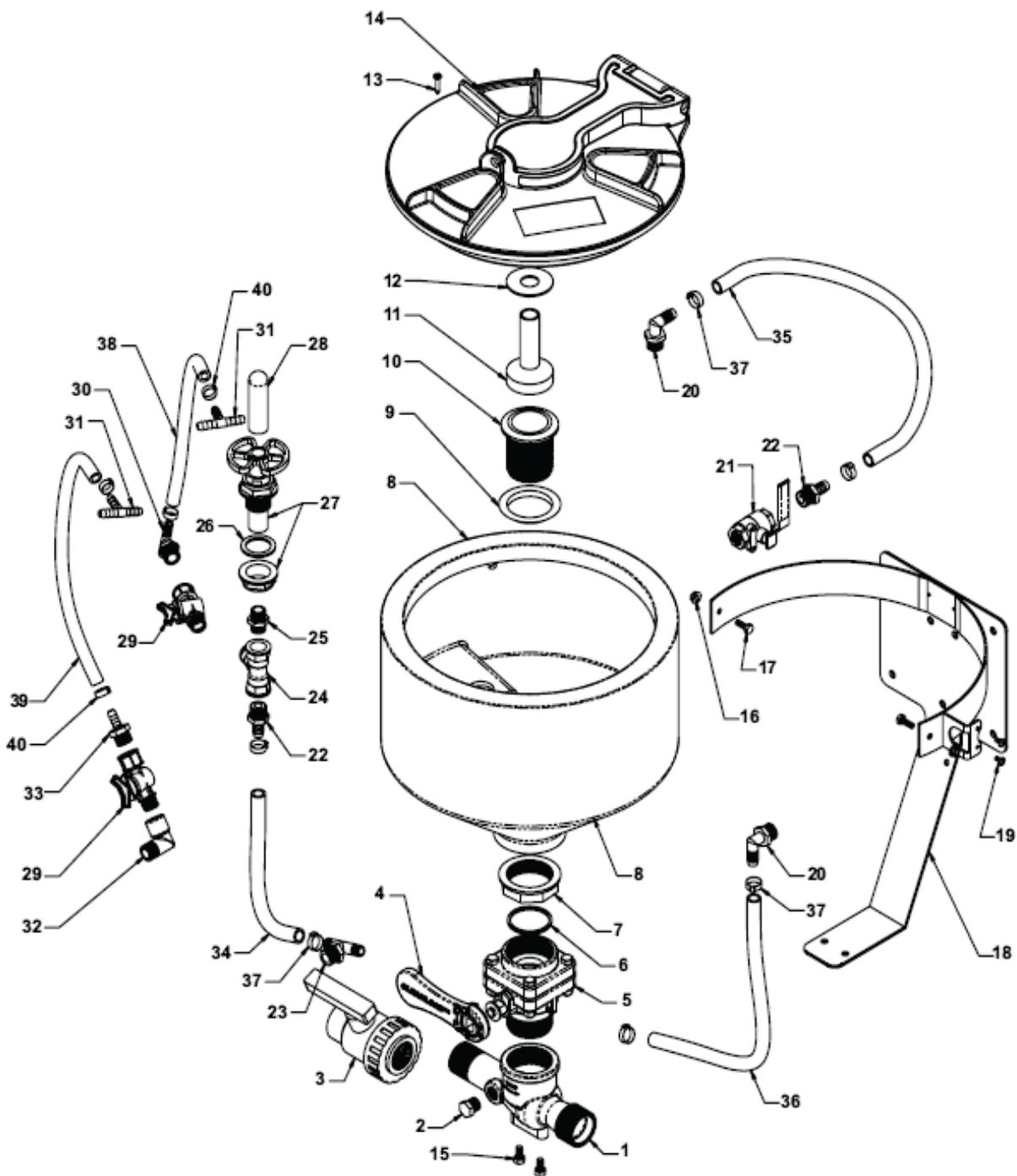
8. Insert lance body with o-ring into eductor until the o-ring is sealed.
9. Use the free end of the lance to pierce bag or container to vacuum powdered or liquid chemical.
10. Rinse lance. Place lance end into a clean container of water to rinse lance assembly.
11. Remove lance body from eductor and drain any remaining fluid into hopper.
12. Close knife valve (red handle). Turn inlet valve (yellow handle) off.

## SHUTDOWN

1. Ensure that:
  - All valves are closed. Be sure to close knife valve first. (Close by pulling red handle out towards you.)
  - Chemical residue has been cleaned.
  - Hopper lid is closed and locked by turning cover clockwise.
2. Divert pump flow back to normal operation.

Symptom	Corrective Action
Low education rate	Check pump pressure and flow. Cleanload Eductor performance is based on flow and pressure to the system. Note requirements for high education rates. Increase outlet hose size back to tank.
Plugged or clogged bottle rinse nozzle	Disassemble rotary portion of nozzle from lower valve assembly and back flush until nozzle ports are clear of debris.
Plugged or clogged tank rinse nozzle	Disassemble rotary portion of nozzle from NPT hose barb and back flush until nozzle ports are clear of debris. Remove screen and flush with water to clear away foreign material.
Fitting leaks	Check for cracks in fitting. Replace fitting if necessary. Disassemble and add more joint seal in compound if leak occurs on threads.

# 15-620 CHEMICAL CLEANLOAD® PARTS DRAWING

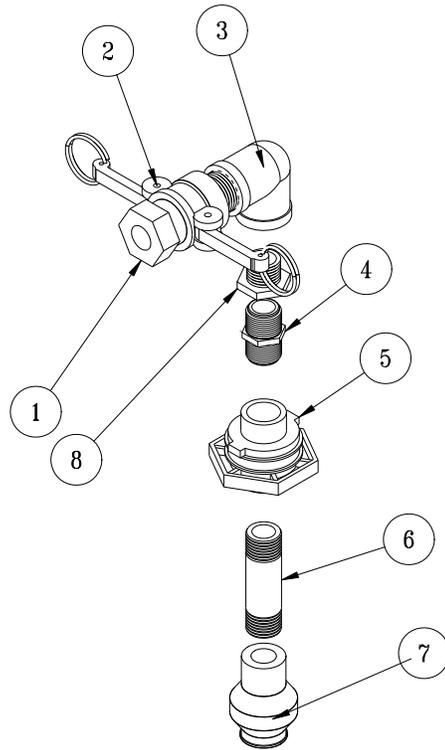


Accessories

## 15-620 CHEMICAL CLEANLOAD® PARTS LIST

REF#	PART#	DESCRIPTION	QUANTITY
1	15-620-04	Cleanload Eductor	1
2		Plug, 1/2"	1
3	15-620-14	Ball Valve, 1 1/4 Single Union	1
4	15-620-13	Handle, Cleanload	1
5	15-620-12	Ball Valve	1
6	15-620-15	Gasket: 2"	1
7	15-620-16	Locking Ring, 2"	1
8	15-620-21	Tank, 5.8 gallon	1
9	15-620-17	Gasket: 2", Tapered	1
10	15-620-18	Drain Head, 2"	1
11	15-620-19	Tank Rinse	1
12		Slinger Ring	1
13		Screw, #6 x 1"	8
14	15-620-02	Tank Lid	1
15		Bolt, 5/16-18 x 5/8	2
16		Nut, Flanged 1/4 - 20	2
17		Bolt, 1/4 - 20 x 3/4 SS	2
18	15-620-01	Frame, Back Mount	1
19		Screw, 10-24 x .375	2
20	15-620-11	Elbow 1/2"	2
21	15-620-10	Valve, SS Tank Rinse	1
22	15-620-09	HB, 1/2 MNPT x 1/2 HB	2
23	15-620-05	HB Tee, 1/2 MNPT to 1/2 HB	1
24		Tee, 1/2 FNPT	1
25		Nipple, 1/2"	1
26	15-620-20	Gasket, 1"	1
27		Valve, Bottle Rinse Base Assy.	1
28		Bottle Rinse Head	1
29		Valve, 1/2"	1
30		HB Elbow, 1/2" MNPT x 3/8" HB	1
31		HB Tee, 3/8"	1
32		1/2" Street Elbow	1
33		HB, 1/2 MNPT x 3/8 HB	1
34	15-620-07	Hose, Bottle Rinse, 1/2" EPDM	1
35	15-620-08	Hose, Tank Rinse, 1/2" EPDM	1
36	15-620-06	Hose, Valve Feeder, 1/2" EPDM	1
37		Hose Clamp, 1/2"	6
38		Hose Tank Rinse, 3/8" EPDM	1
39		Hose Tank Rinse, 3/8" EPDM	1
40		Hose Clamp, 3/8"	2

# 15-835 TANK RINSING SYSTEM

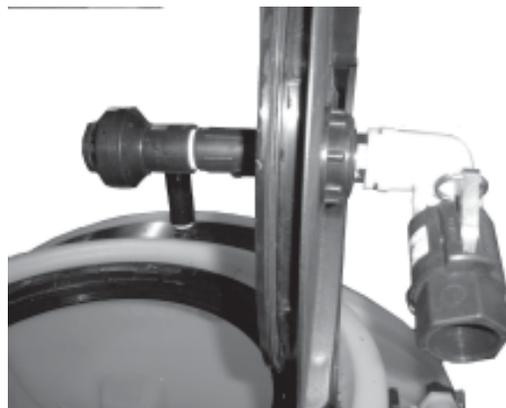


REF#	PART#	DESCRIPTION	QUANTITY
1	16-961	1" Adapter	1
2	16-962	1" Coupler	1
3	16-864	1" FTP Elbow	1
4	16-158	Close Nipple	1
5	16-150	Double Thread Fitting	1
6	16-172	4" Nipple	1
7	15-834	Tank Rinsing Nozzle	1
8	16-163	Reducer Bushing	1

Drill 1-3/4" hole 5" from outside edge of cover.

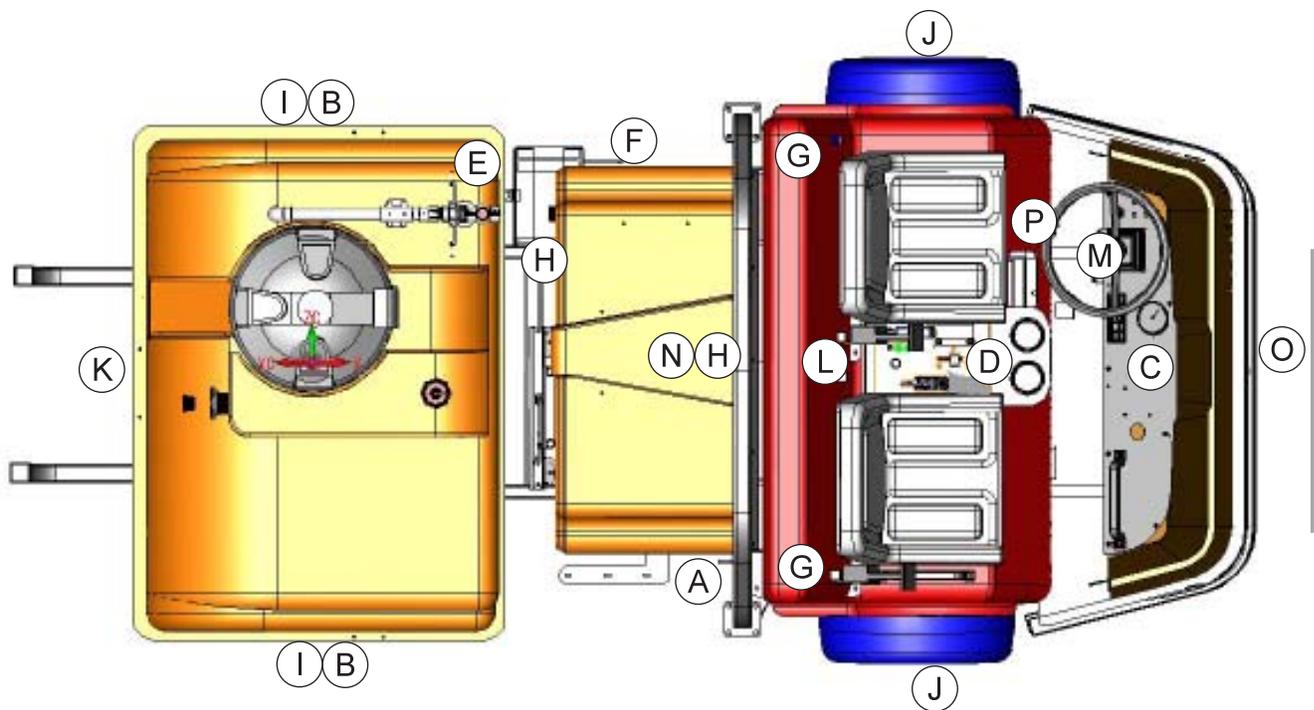
Install Tank Rinsing kit as shown, with the Double Thread Fitting (Ref 5) going into the cover.

Basket Must be removed During Use.



This is a list of decals located on the Spray Star 2000. Part number, description and location will help in reordering decals.

A	15-463	Decal, Spray Pump
B	20-529	Decal, Spray Star 2000
C	20-545	Decal, Dashboard
D	20-553	Decal, Center Console
E	20-593	Decal, Site Gauge
F	25-277	Decal, Battery Warning
G	25-286	Decal, Pinch Point
H	25-298	Decal, Warning Hot
I	25-355	Decal, Tire Pressure 18psi
J	25-356	Decal, Tire Pressure 20psi
K	25-372	Decal, 4" Star
L	25-375	Decal, 94 dBA
M	27-077	Decal Smithco
N	27-093	Decal, Hydraulic Oil Level
O	34-147	Decal, Smithco Logo
P	25-387	Decal, Agitation



Accessories

## QUICK REFERENCE REPLACEMENT PARTS

### REPLACEMENT FILTERS

50-403	Inline Fuel Filter	
20-576	Hydraulic Oil Filter Assembly	
20-576-01	Oil Filter Replacement Element	
76-487	Engine Oil Filter	Briggs # 942921
76-395-01	Remote Air Cleaner Cartridge	
76-395-02	Remote Safety Filter Cartridge	

### REPLACEMENT BELTS

30-137	Spray Pump V-Belt
--------	-------------------

### SEAL KITS

15-301	Power Steering Orbital Motor
15-301-01	Seal Kit
15-839	Hydraulic Cylinder
14-531	Seal Kit
43-116	Wheel Motors
14-080	Seal Kit
76-482	Hydrostatic Pump
77-239-22	Seal Kit
76-197	Gear Pump
76-197-08	Seal Kit

### FLUIDS

Engine Oil	SAE 10W-40 API Service SJ or higher Motor Oil
Hydraulic Fluid	SAE 10W-40 API Service SJ or higher Motor Oil

### OTHER PARTS

16-953	Hinged Cover On Tank with Gasket
16-953-01	Gasket For Cover
20-663	Tank Lid Gasket
15-818	#75 Fitting O-ring
15-817	#50 Fitting O-ring
13-488	Key Switch
76-310	Key Set

# The Smithco Commercial Products Two-Year Limited Warranty

## The Smithco Commercial Products Two-Year Limited Warranty

Smithco, Inc. (Smithco) warrants your 2016 or newer Smithco Commercial Product (“Product”) purchased after October 1, 2016 to be free from defects in materials or workmanship for the period of time listed below. Where a warrantable condition exists, Smithco will repair the Product at no cost to you including diagnosis, labor (at the Smithco standard labor rate, subject to the Smithco flat rate schedule), and parts.

### Warranty Duration is:

- (1) Two years, 1500 operational hours\* from the date of delivery to the original purchaser or Five years from the date of original manufacturer of the product, whichever occurs first. (\*Products equipped with hour meter).
- (2) Products used in rental situations are covered for 90 days from date of delivery to original user/renter.

### Owner Responsibilities:

As the Product owner, you are responsible for required maintenance and adjustments stated in your Owner’s Manual. Failure to perform required maintenance and adjustments can be grounds for disallowing a warranty claim. **You are particularly responsible to train all present and future operators of this product on the safe operation of this product at your location.**

### Instructions for Obtaining Warranty Service:

You are responsible for notifying the Authorized Smithco Products Distributor from whom you purchased the Product as soon as you believe a warrantable condition exists and not later than 30 days from discovery of the condition.

If you need help locating an Authorized Smithco Distributor, or if you have questions regarding your warranty rights or responsibilities, you may contact us at:

Smithco Product Support Department  
200 West Poplar Ave.  
Cameron, Wisconsin 54822  
Telephone: 800-891-9435 E-Mail: [ProductSupport@Smithco.com](mailto:ProductSupport@Smithco.com)

### Maintenance Parts:

Parts scheduled for replacement as required maintenance (“Maintenance Parts”), are warranted for the period of time up to the scheduled replacement time for that part.

### Items/Conditions Not Covered:

-  Not all product failures or malfunctions that occur during the warranty period are defects in materials or workmanship. The items/conditions listed below are not covered by this warranty:
-  Product failures which result from the use of non-Smithco replacement parts, or from installation and use of add-on, modified, or unapproved accessories are not covered.
-  Product failures which result from failure to perform required maintenance and/or adjustments are not covered.
-  Product failures that result from operating the Product in an abusive, negligent or reckless manner are not covered.



This warranty does not apply to parts subject to consumption through use, unless found to be defective. Examples of parts which are consumed, or used up, during normal Product operation include, but are not limited to: blades, tines, teeth, scarifiers, rakes, plates, wear plates, castor wheels, tires, batteries, filters, belts, nozzles, etc.



This warranty does not apply to failures caused by outside influence. Items considered to be outside influence include, but are not limited to, weather, storage practices, contamination, use of unapproved coolants, lubricants, additives, or chemicals, etc.



This warranty does not apply to normal "wear and tear" items. Normal "Wear and Tear" includes, but is not limited to, damage to seats due to wear or abrasion, worn painted surfaces, scratched decals or windows, etc.



Smithco may require the return of failed parts or components in order to determine the validity of any warranty claim.



Smithco will not be obligated to replace components of other manufacturers if inspection by the original component manufacturer indicates that failure was due to normal wear and tear, expected consumption through use or improper care or service.

#### **Other Legal Disclaimers:**

The above remedy for product defects through repair or replacement by an authorized Smithco distributor or dealer is the purchaser's sole remedy for any defect. This warranty gives you specific legal rights, and you may also have other rights which vary from state to state.

**THERE ARE NO OTHER EXPRESS WARRANTIES OTHER THAN THOSE SET FORTH ABOVE. ALL IMPLIED WARRANTIES OF MERCHANTABILITY AND FITNESS FOR USE ARE LIMITED TO THE DURATION OF THE LIMITED WARRANTIES CONTAINED HEREIN.**

Some states may not allow limitations on how long an implied warranty lasts, so the above limitation may not apply to you.

**THE SMITHCO COMPANY IS NOT LIABLE FOR INDIRECT, INCIDENTAL OR CONSEQUENTIAL DAMAGES IN CONNECTION WITH THE USE OF THE PRODUCT, INCLUDING ANY COST OR EXPENSE OF PROVIDING A SUBSTITUTE PRODUCT OR SERVICE DURING PERIODS OF MALFUNCTION OR NON-USE.**

Some states may not allow the exclusion of indirect, incidental or consequential damages, so the above exclusion may not apply to you.

