



Spray Star 1110

Truck Model 10-000-G

Manual System 1101
TeeJet Radion[®] 8140 1102
TeeJet[®] 744 1104
TeeJet Aeros/DynaJet[®] 1115/1118
TeeJet Radion/DynaJet[®] 1105/1108

SN: 100742

Product Support:

Hwy 55 & Poplar Ave; Cameron WI 54822

1-800-891-9435 productsupport@smithco.com

CONTENTS

Introduction

Introduction.....	1-3
Safe Practices	2
Specification	3
Optional Equipment.....	3

Service

Service.....	4-9
Maintenance	4-6
Storage	6
Service Chart.....	7
End User's Service Chart.....	8
Adjustments	9

Diagrams

Diagrams	10-13
Wiring Diagram.....	10-11
Hydraulic Diagram.....	12-13
Fitting Torque Charts	13

Parts

Parts.....	14-45
Body and Frame	14-15
Control Panel.....	16-17
Front Axle	18-19
Seat Console and ROPS.....	20-21
Fuel Tank.....	22-23
Oil Tank-Oil Filter-Oil cooler.....	24-25
Foot Pedal Linkage.....	26-27
Pump	28-29
Engine and Spray Pump.....	30-31
Park Brake.....	32-33
Rear Axle.....	34-35
Spray Tank.....	36-37
Turbo-Quad Agitator	36-37
15-301 Orbitrol.....	38-39
20-684 Flow Meter.....	40
45-373 DDC20 Piston Pump.....	42-43
16-998 Hypro® Pump.....	44
10-510 Wheel Motor.....	45

Accessories


Reference

Spray Systems.....	46-91
1101 Plumbing (Manual Valve).....	46-47
1104 Plumbing (TeeJet® 744).....	48-49
1102 Plumbing (TeeJet® Radion 8140).....	50-51
1104 Wiring(TeeJet® 744).....	52
1102 Wiring (TeeJet® Radion 8140).....	53
System Control Mounts	54-55
1105/1108/1115/1118 Plumbing	56-59
1105/1108 Module Mounts	60
1105/1108 DynaJet Wiring.....	61
1115/1118 Module Mounts	61
1115/1118 Aeros Wiring	62
1115/1118 DynaJet Wiring	64
20-817 Regulator I Valve	65
15-737/14-628 Flanged Strainer.....	66
14-801 Agitator Strainer - 50 Mesh.....	67
10-648 3-Way Manual Valve.....	68-69
15-743 Manifold Ball Valve	70
20-785 Regulator Valve	71
14-607 QC Strainer - 100 Mesh	72
Boom Hinge.....	73
17-585 18' HD Boom	74-77
7-585 18' HD 1102/1104 Plumbing	78
17-585 18' HD 1108 Plumbing.....	79
17-585 18' HD 1118 Plumbing.....	80
17-601 15' HD 1115 Plumbing.....	81
117-601 15' HD Boom	82-85
17-601 15' HD Boom 1102/1104 Plumbing.....	86
17-601 15' HD 1105 Plumbing.....	87
1105/1108 Nozzle Assembly.....	88-89
Standard Nozzle Assembly.....	90
1115/1118 Nozzle Assembly	91
Accessories	92-118
15-835 Tank Rinsing System.....	92
10-370/10-365 Water Fill Meter Kit.....	93
16-906 Electric Hose Reel.....	94-95
16-129 Hose Reel.....	96
10-422 Hose Reel Mount (for HD Super Booms).....	97
Hose Reel Plumbing.....	98-99
Electric Hose Reel Wiring.....	100
Hose Reel Adjustments	101
10-740 Foam Marker Kit	102-107
14-291Foamer	108-109
30-006 Fresh Water Wash Tank -Rear Mount	110
10-653 Fresh Water Wash Tank -Front Mount	111
10-734 16 Gallon Rinse Tank	112-113
10-417 Chemical Cleanload®.....	114-115
15-620 Chemical Cleanload® Eductor	116-117
Chemical Cleanload Instructions.....	118
Reference	119-120
Decal List.....	119
Quick Reference Replacement Parts	120

Thank you for purchasing a **Smithco** product.

Read this manual and all other manuals pertaining to the Spray Star 1110 carefully as they contain safety, operating, assembly and maintenance instructions. Failure to do so could result in personal injury or equipment damage.

Keep manuals in a safe place after operator and maintenance personnel have read them. Right and left sides are from the operator's seat, facing forward.

 **WARNING:**

Engine exhaust and some of its constituents are known to the State of California to cause cancer, birth defects, and other reproductive harm.

For more information visit www.P65Warning.ca.gov

WARNING

Failure to follow cautious operating practices can result in serious injury to the operator or other persons. The owner must understand these instructions, and must allow only trained persons who understand these instructions to operate this vehicle.

All **Smithco** machines have a Serial Number and Model Number. Both numbers are needed when ordering parts. The serial number plate on the Spray Star 1110 is located on the right front bumper. Refer to engine manual for placement of engine serial number. Refer to engine manual for placement of engine serial number.

For product and accessory information, help finding a dealer, or to register your product please contact us at www.Smithco.com.

Information needed when ordering replacement parts:

1. Model Number of machine
2. Serial Number of machine
3. Name and Part Number of part
4. Quantity of parts

For easy access record your Serial and Model numbers here.

SMITHCO			CE
WAYNE, PENNSYLVANIA 19087 USA 610-688-4009 Fax 610-688-6069			
SERIAL NO.	kW/hp	DATE OF MFG.	
<input type="text"/>	<input type="text"/>	<input type="text"/>	
MODEL NO.	lb/kg Empty	lb/kg Full	
<input type="text"/>	<input type="text"/>	<input type="text"/>	

SMITHCO CUSTOMER SERVICE 1-800-891-9435

SAFE PRACTICES

1. It is your responsibility to read this manual and all publications associated with this machine.
2. Never allow anyone to operate or service the machine or its optional equipment without proper training and instructions. Never allow minors to operate any equipment.
3. Learn the proper use of the machine, the location and purpose of all the controls and gages before you operate the equipment. Working with unfamiliar equipment can lead to accidents.
4. Wear all the necessary protective clothing and personal safety devices to protect your head, eyes, ears, hands and feet. Operate the machine only in daylight or in good artificial light.
5. Inspect the area where the equipment will be used. Pick up all debris you can find before operating. Beware of overhead obstructions and underground obstacles. Stay alert for hidden hazards.
6. Never operate equipment that is not in perfect working order or without decals, guards, shields, or other protective devices in place.
7. Never disconnect or bypass any switch.
8. Carbon monoxide in the exhaust fumes can be fatal when inhaled, never operate a machine without proper ventilation.
9. Fuel is highly flammable, handle with care.
10. Keep engine clean. Allow the engine to cool before storing and always remove the ignition key.
11. Disengage all drives and set park brake before starting the engine.
12. Never use your hands to search for oil leaks. Hydraulic fluid under pressure can penetrate the skin and cause serious injury.
13. This machine demands your attention. To prevent loss of control or tipping of the vehicle:
 - A. Use extra caution in backing up the vehicle. Ensure area is clear.
 - B. Do not stop or start suddenly on any slope.
 - C. Reduce speed on slopes and in sharp turns. Use caution when changing directions on slopes.
 - D. Stay alert for holes in the terrain and other hidden hazards.
14. Before leaving operator's position:
 - A. Disengage all drives.
 - B. Set park brake.
 - C. Shut engine off and remove the ignition key.
 - D. If engine has to run to perform any maintenance keep hands, feet, clothing and all other parts of body away from moving parts.
15. Keep hands, feet and clothing away from moving parts. Wait for all movement to stop before you clean, adjust or service the machine.
16. Keep the area of operation clear of all bystanders.
17. Never carry passengers.
18. Stop engine before making repairs/adjustments or checking/adding oil to the crankcase.
19. Use parts and materials supplied by **Smithco** only. Do not modify any function or part.
20. Use caution when booms are down as they extend out beyond the center line of the machine.
21. The tank is a confined space, take precaution.

These machines are intended for professional maintenance on golf courses, sports turf, and any other area maintained turf and related trails, paths and lots. No guaranty as to the suitability for any task is expressed or implied.



SPECIFICATIONS SPRAY STAR 1110

WEIGHTS AND DIMENSIONS

Length	112" (285 cm)
Width	70" (178 cm)
Height With 18' Boom	110" (240 cm)
Height	75" (191 cm)
Wheel Base	53" (135 cm)
Weight Empty	1676lbs (760 kg)
Weight Full	2592 lbs (1175 kg)

SOUND LEVEL (DBA)

At ear level	85 dba
At 3 ft (0.914 m)	83 dba
At 30 ft (9.14 m)	72 dba

ENGINE

Make	Briggs & Stratton
Model#	386447
Type / Spec#	0459 G1
Horsepower	23HP (17 kw)
Fuel	Unleaded 87 Octane Gasoline Minimum
Cooling System	Air Cooled
Lubrication System	Full Pressure
Alternator	25 Amp

WHEELS & TIRE

Front: Two 20 x 10.00 x 10 NHS Smooth; 20psi (1.4 bar)
Rear: Two 24 x 13.00 x 12 NHS Multi-Trac; 20 psi (1.4 bar)
Hand Operated Lever, Discs on Rear Axle

PARK BRAKE

SPEED

Forward Speed	0-8 mph (0-12.8 kph)
Reverse Speed	0-3 mph (0-4.8 kph)

BATTERY

	Automotive type 24F-12 Volt
BCI Group	Size 24
Cold Cranking Amps	575 minimum
Ground Terminal Polarity	Negative (-)
Maximum Length	10.25" (26 cm)
Maximum Width	6.88" (17 cm)
Maximum Height	10" (25 cm)

FLUID CAPACITY

Crankcase Oil	See Engine Manual
Fuel	6 gallon (22.7 liters)
Hydraulic Fluid	5 gallon (19 liters)
Grade of Hydraulic Fluid	SAE 10W-40 API Service SJ or higher Motor Oil

OPTIONAL EQUIPMENT

10-417	Chemical Clean-load Safe Fill System	17-601	15' Heavy Duty Boom
10-734	16 Gal. Wash System	17-585	18' Heavy Duty Boom
10-653	Fresh Water Tank - Front Mount	1104	TeeJet 744 Spray System
30-006	Fresh Water Tank - Rear mount	1102	Radion 8140 Spray System
15-835	Tank Rinsing System	1101	3-Way Manual System
10-370	Water Meter Kit (liters)	1105/1108	DynaJet/Radion Spray System
10-365	Water Meter Kit (gallons)	1115/1118	DynaJet/Aeros Spray System
10-740	Foam Marker	15-622	Canopy
10-422	Hose Reel Mount Kit		
16-129	Manual Rewind Hose Reel, 200-foot/61-meter capacity		
16-906	Electric Rewind Hose Reel, 200-foot/61-meter capacity		



MAINTENANCE

⚠ CAUTION

Before servicing or making adjustments to machine, stop engine and remove key from ignition.

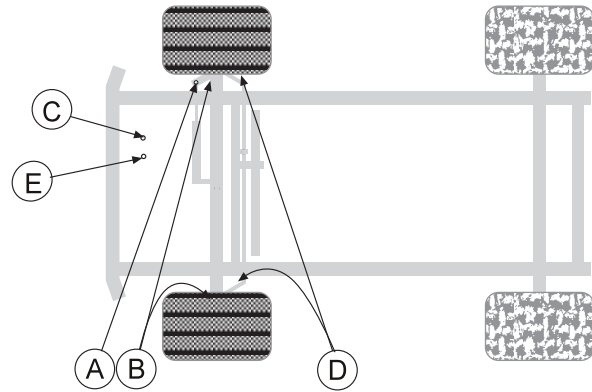
⚠ IMPORTANT

Use all procedures and parts prescribed by the manufacturer's. Read the engine manual before operation.

LUBRICATION

Use No. 2 General purpose lithium base grease and lubricate every 100 hours. The Spray Star 1110 has 7 lube points.

- A. One on the rod end of hydraulic cylinder.
- B. One on each the right and left spindles.
- C. One on the reverse pedal.
- D. One on each end of tie rod.
- E. One on the forward pedal.



ELECTRICAL CONNECTIONS

Use dielectric grease on all electrical connections.

AIR CLEANER

1. Loosen cover retaining snaps and remove cover.
2. Remove pre-cleaner from paper element.
3. Check paper element. Replace element as necessary.
4. Wash pre-cleaner in warm water with detergent. Rinse pre-cleaner thoroughly until all traces of detergent are eliminated. Squeeze out excess water (do not wring). Allow pre-cleaner to air dry.
5. Saturate pre-cleaner with new engine oil. Squeeze out all excess oil.
6. Reinstall pre-cleaner over paper element.
7. Reinstall air cleaner cover. Secure cover with cover retaining knob.

WHEEL MOUNTING PROCEDURE

1. Set park brake. Turn machine off and remove key.
2. Block wheel on opposite corner.
3. Loosen nuts slightly on wheel to be removed.
4. Jack up machine being careful not to damage underside of machine.
5. Place wheel on hub lining up bolt holes.
6. Torque to 64-74 ft/lb (87-100Nm) using a cross pattern. Re-torque after first 8 hours and every 250 hours thereafter.
7. Lower machine to ground and remove blocks and jack.

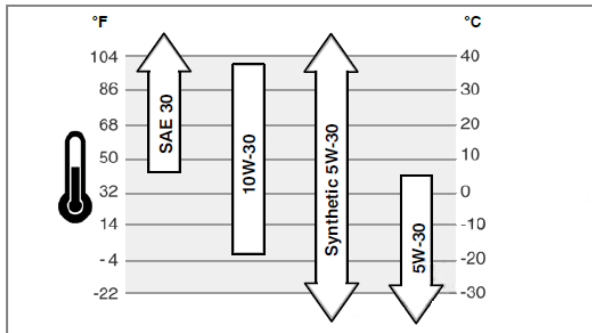
TIRE PRESSURE

Caution must be used when inflating a low tire to recommended pressure. Over inflating can cause tires to explode. All tires should be 20 psi (1.4bar). Improper inflation will reduce tire life considerably.

ENGINE OIL

Change and add oil according to chart below. Do not overfill. Engine oil capacity is 2 quarts. We recommend high-quality detergent oils classified for service SF, SG, SH, SJ or higher. Do not use special additives. Outdoor temperatures determine the proper oil viscosity for the engine. Use the chart to select the best viscosity for the outdoor temperature range expected

SAE VISCOSITY GRADES



Use of multi-viscosity oils (10W-30, etc.) above 80° F (27° C) will result in high oil consumption and possible engine damage. Check oil level more frequently if using these types of oils.

SAE 30 oil, if used below 40° F (4° C), will result in hard starting and possible engine bore damage due to inadequate lubrication.

HYDRAULIC OIL

1. Use SAE 10W-40 API Service SJ or higher motor oil.
2. For proper warranty, change oil every 500 hours or annually, whichever ever is first. Change the filter after the first 50 hours, then every 250 hours thereafter.
3. Oil level should be 2-2½" (5-6.4cm) from top of the tank when fluid is cold. Do not overfill.
4. After changing oil, run the machine for a few minutes. Check oil level and for leaks.
5. Always use extreme caution when filling hydraulic oil tank or checking level to keep system free of contaminants. Check and service more frequently when operating in extremely cold, hot or dusty conditions.
6. If the natural color of the fluid has become black or smells burnt, it is possible that an overheating problem exists.
7. If fluid becomes milky, water contamination may be a problem.
8. If either of the above conditions happen, change oil immediately after fluid is cool and find the cause. Take fluid level readings when the system is cold.
9. In extreme temperatures you can use straight weight oil. We recommend SAE 30W API Service SG when hot (above 90°F (33°C)) and SAE 10W API Service SJ or higher when cold (below 32°F (0°C) ambient temperature. Use either motor oil or hydraulic oil, but do not mix.
10. Oil being added to the system must be the same as what is already in the tank. Mark the tank fill area as to which type you put in.

MAINTENANCE

BATTERY

Batteries normally produce explosive gases which can cause personal injury. Do not allow flames, sparks or any ignited object to come near the battery. When charging or working near battery, always shield your eyes and always provide proper ventilation.

Battery cable should be disconnected before using "Fast Charge".

Charge battery at 15 amps for 10 minutes or 7 amps for 30 minutes. Do not exceed the recommended charging rate. If electrolyte starts boiling over, decrease charging.

Always remove grounded (-) battery clamp first and replace it last. Avoid hazards by:

1. Filling batteries in well-ventilated areas.
2. Wear eye protection and rubber gloves.
3. Avoid breathing fumes when electrolyte is added.
4. Avoid spilling or dripping electrolyte.

⚠ WARNING

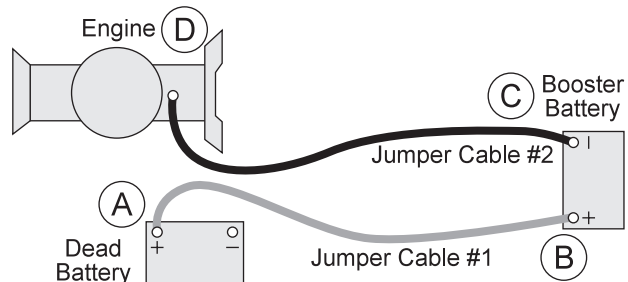
Battery Electrolyte is an acidic solution and should be handled with care. If electrolyte is splashed on any part of your body, flush all contact areas immediately with liberal amounts of water. Get medical attention immediately.

⚠ WARNING

Use of booster battery and jumper cables. Particular care should be used when connecting a booster battery. Use proper polarity in order to prevent sparks.

TO JUMP START (NEGATIVE GROUNDED BATTERY):

1. Shield eyes.
2. Connect ends of one cable to positive (+) terminals of each battery, first (A) then (B).
3. Connect one end of other cable to negative (-) terminal of "good" battery (C).
4. Connect other end of cable (D) to engine block on unit being started (NOT to negative (-) terminal of battery)



To prevent damage to other electrical components on unit being started, make certain that engine is at idle speed before disconnecting jumper cables.

STORAGE

If the engine will be out of service for two or more months, use the following storage procedure.

1. Clean the exterior surfaces of the engine.
2. Change the oil and filter while the engine is still warm from operation.
3. The fuel system must be completely emptied, or the gasoline must be treated with a stabilizer to prevent deterioration.

If you choose to use a stabilizer, follow manufacturers recommendations, and add the correct amount for the capacity of fuel system. Fill fuel tank with clean, fresh gasoline. Run engine for 2-3 minutes to get stabilized fuel into carburetor. Close fuel shut-off valve when unit is being stored or transported.

To empty the system, drain fuel tank and carburetor, or run engine until tank and system are empty.

4. Remove the spark plugs. Add one tablespoon of engine oil into each spark plug hole. Install plugs, but do not connect the plug leads. Crank the engine two or three revolutions.
5. Store machine in a clean, dry place.

SERVICE CHART

⚠ CAUTION

Before servicing or making adjustments to the machine, stop engine, set park break, block wheels and remove key from ignition.

⚠ IMPORTANT

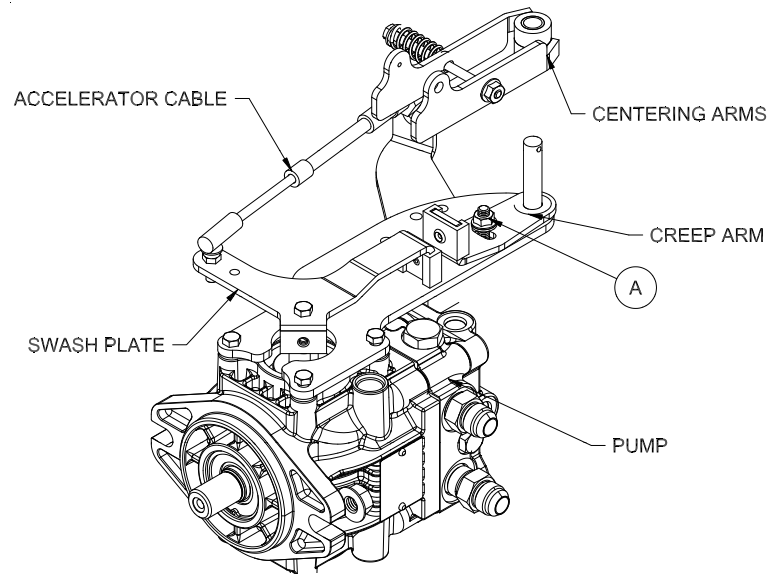
Follow all procedures and **ONLY** use parts prescribed by the manufacturer. Read the engine manual before maintenance.

Maintenance Service Interval	Maintenance Procedure
After the first 8 operating hours	Torque the wheel lug nuts. (64-74 ft/lb (87-100 Nm))
	Change the engine oil filter.
Before each use daily	Check the engine oil level.
	Clean area around muffler and controls.
	Check the hydraulic fluid level.
	Check the tire pressure.
	Check condition of hydraulic hoses and fittings.
	Inspect and clean the machine.
After the first 50 hours	Change Hydraulic Oil Filter.
Every 100 hours	Clean or change air filter. ¹
	Clean pre-cleaner. ¹
	Change engine oil and filter.
	Replace spark plug .
	Lubricate machine.
	Clean or change remote air cleaner.
	Check the battery fluid level and cable connections..
	Check muffler and spark arrestor.
Check belt tension .	
Every 250 hours	Check engine valve clearance and adjust if necessary.
	Check idle speed.
	Clean battery terminals.
	Change hydraulic oil filter.
	Torque the wheel lug nuts. (64-74 ft/lb (87-100 Nm))
Every 500 hours or yearly	Change fuel filter.
	Change hydraulic oil and filter.
	Clean oil cooler fins. ¹
	Clean air cooling system. ¹
	Check safety filter in remote air cleaner.
1 In dusty conditions or when airborne debris is present, clean more often.	

WHEEL CREEP

"Creep" is when the engine is running and hydrostatic transmission is in neutral, but due to inadequate alignment, wheels still move. Do the following procedure to stop this motion.

1. Lift up and support machine so rear wheels are off the ground and can turn freely.
2. On top of the pump there is a Creep arm. Loosen bolt (Ref A) on creep arm.
3. With engine running, adjust the 'creep arm' side to side so centering arm centers on the swash plate.
4. Tighten all fasteners and test by using foot pedal linkage to see that 'creep' is removed.
5. Turn engine off and lower machine.



PARK BRAKE

Turn knob clockwise on end of park brake to tighten. Turn it counter clockwise to loosen. If finer adjustment is needed turn clevis on brake cable to adjust length of cable.

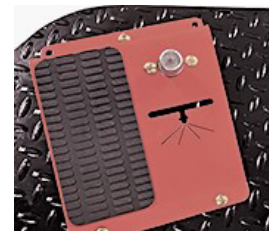


SPRAY PUMP

Located to the rear and right of the engine. Should have approximately $1/2$ " (13mm) of deflection in the center of the top strand. Loosen two $9/16$ x $1 3/4$ bolts. Slide pump to the rear to desired tension. Tighten two $3/8$ x $1 1/2$ bolts.

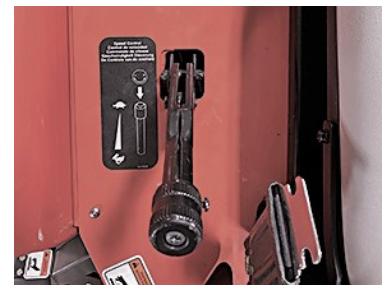
MASTER BOOM SWITCH (FOOT SWITCH)

The master boom switch, located on the left floorboard is used to override the master switch on the computer console of the Radion 8140 spray system. By pushing down it will turn on/off the booms.



SPRAY BOSS CONTROL HANDLE (ORANGE)

This lever located on the left side of the seat engages and disengages the speed boss. Forward is engage and all the way back is disengage. When the lever is engaged it sets a stop for the accelerator. The accelerator pedal must be used to maintain this speed. To adjust speed use the knob on the end of the lever, counter clockwise increases speed and clockwise decreases speed. Disengage the lever and you will have full accelerator pedal range.

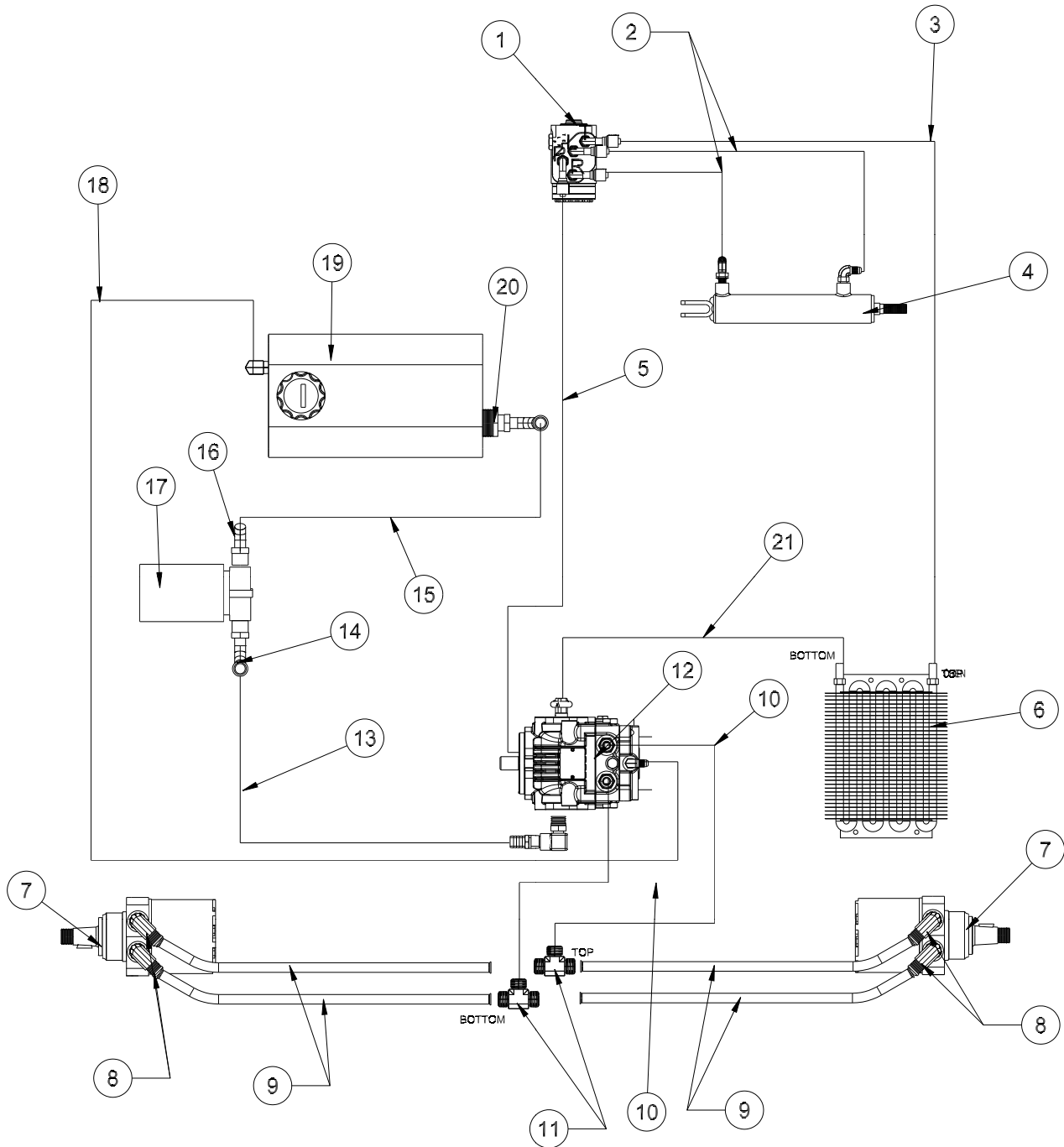


WIRING PARTS LIST

REF#	PART#	DESCRIPTION	QUANTITY
1	20-730	GPS Speedometer	1
	8874	Female Bullet	1
	8875	Male Bullet	2
	8963	Heat Shrink	3
2	12-804	Hour Meter	1
3	20-912	LED Head Light	2
4	Head Light		
	15-725	Mount Panel End	1
	15-727	Rocker, No Light	1
	15-782	Non-Lighted Switch	1
5	Pump		
	15-729	Mount Panel Middle	1
	15-726	Lighted Switch	1
	15-731	Rocker, Amber	1
6	Left Boom		
	15-729	Mount Panel Middle	1
	15-727	Rocker, No Light	1
	15-728	Centering Switch Momentary, On-Off-On	1
7	Right Boom		
	15-725	Mount Panel End	1
	15-727	Rocker, No Light	1
	15-728	Centering Switch Momentary, On-Off-On	1
8	30-214	KYB Electric/Hydraulic Actuators	2
9	16-998	Hypro Pump With Electric Clutch	1
10	33-480	Pressure Switch	1
11	77-207	Buzzer	1
	8874	Female Bullet	1
	8875	Male Bullet	1
	8963	Heat Shrink	2
12	10-753	Briggs, 23HP Engine	1
13		Black Cable	1
14	22-017	Starter Cable	1
15	13-750	Solenoid w/ Connector	1
16	75-518	Red Battery Cable	1
17	33-216	Battery	1
18	76-327	Ground Battery Cable	1
19	77-261	Circuit Breaker	1
	8977	Circuit Breaker Boot	1
20	14-292	Seat Switch	1
21	13-488	Ignition Switch	1
22	20-730-01	Antenna (comes with Speedometer)	1
23	50-359	Oil Warning Light	1
	8853	Slide On Connector	1
	8958	Male Spade	1
	8963	Heat Shrink	2
24	9016	Weather Pack	1
	9017	Terminal	2
	9018	Seal	2
25	8919-39	10GA Red Wire	1
	8928	⁵ / ₁₆ Ring terminal	1
	8912	³ / ₁₆ Ring Terminal	1
	8963	Heat Shrink	2
26	8931-46	10GA White Wire	1
	8928	⁵ / ₁₆ Ring terminal	1
	8912	³ / ₁₆ Ring Terminal	1
	8963	Heat Shrink	2
27	33-271	Fuse Panel	1
	10-665	Chassis Wire Harness	1
	10-756	Engine Wire Harness	1

To reset circuit breaker on ball valve, you must disconnect power to computer.

HYDRAULIC DIAGRAM



HYDRAULIC PRESSURES

Piston Pump Displacement .913 in³
 Pump Input Speed (up to) 3600 rpm
 Max. Operating Pressure 3000 peak psi
 Implement Setting 345 psi
 13-729 Hydraulic Valve (2 bank) 900 psi

Charge Pump Displacement .33 in³/rev
 Max. Inlet Vacuum 5 in. Hg
 Max. Case Pressure 25 psi
 Relief Valve Pressure (set at) 1200 psi

HYDRAULIC DIAGRAM PARTS LIST

REF#	PART#	DESCRIPTION	QUANTITY
1	15-301	Orbital	1
	18-169	³ / ₈ Adapter Fitting	4
2	10-671	Hydraulic Hose x 65"	2
3	10-669	Hydraulic Hose x 59"	1
4	77-263	Hydraulic Cylinder	1
	18-168	³ / ₈ Street Elbow	2
5	10-670	Hydraulic Hose x 102"	1
6	45-382	Oil Cooler	1
7	10-510	Wheel Motor	2
8	34-122	Short Elbow	4
9	20-656	Hydraulic Tube Assembly	4
10	10-667	Hydraulic Hose x 20.5"	2
11	34-057	Tee, 1"	2
12	45-373	DDC Piston Pump	1
13	8832-24	³ / ₄ " Suction Hose x 24"	1
	18-040	Hose Clamp	2
14	34-123	Elbow	1
15	8832-22	³ / ₄ " Suction Hose x 22"	1
	18-040	Hose Clamp	2
16	18-508	45° Barb Elbow	1
17	23-006	Oil Filter	1
	23-031	Filter Element, 25 Micron	1
18	10-668	Hydraulic Hose x 39"	1
19	60-473	Oil Tank	1
20	60-213	Strainer	1
21	10-672	Hydraulic Hose x 35.5"	1

Diagrams

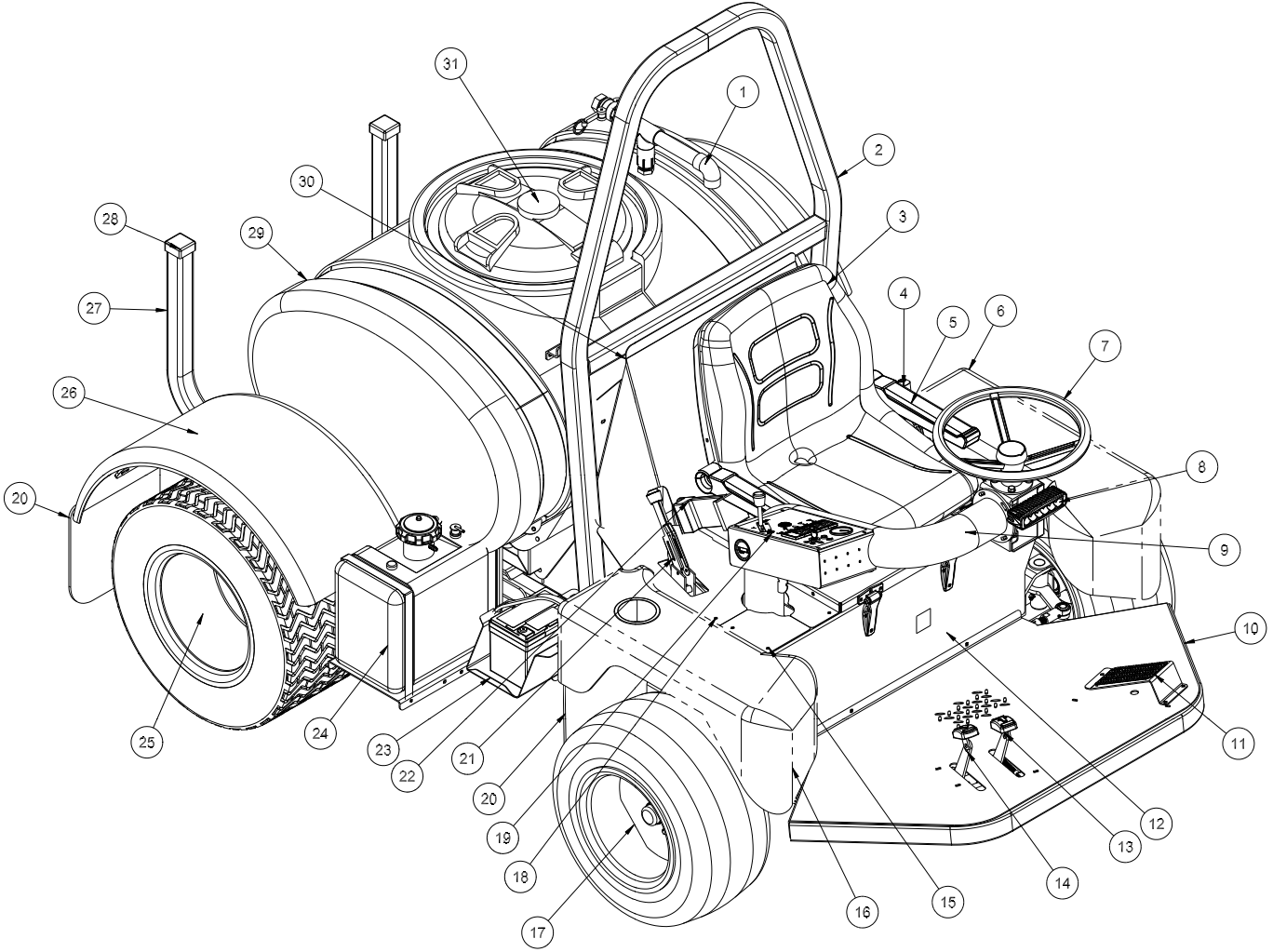
FITTING TORQUE CHARTS

SAE Straight Thread O-ring Plugs (Steel)						Seal-Lok Straight and Adjustable Fitting (Steel)			
Fitting Size	SAE Port Thread	Hollow Hex Head Plug (HP50N) Assembly Torque		Hex Head Plug (P50N) Assembly Torque		Fitting Size	SAE Port Thread Size	Assembly Torque (2)	
		in. lbs	ft. lbs	in. lbs	ft. lbs			in. lbs	ft. lbs
2	5/16 - 24	35 ± 5	3 ± .5	90 ± 5	7.5 ± .5	4	7/16 - 20	190 ± 10(1)	16 ± 1.0
3	3/8 - 24	60 ± 5	5 ± .5	170 ± 10	14 ± 1	6	9/16 - 18	420 ± 15	35 ± 1.0
4	7/16 - 20	135 ± 10	11 ± 1	220 ± 15	18 ± 1	8	3/4 - 16	720 ± 25	60 ± 2.0
5	1/2 - 20	180 ± 10	15 ± 1	260 ± 15	22 ± 1	10	7/8 - 14	1260 ± 50	105 ± 5.0
6	9/16 - 18	220 ± 10	18 ± 1	320 ± 20	27 ± 2	12	1 1/16 - 12	1680 ± 75	140 ± 6.0
8	3/4 - 16	550 ± 20	46 ± 2	570 ± 25	48 ± 2	16	1 5/16 - 12	2520 ± 100	210 ± 8.0
10	7/8 - 14	900 ± 50	75 ± 5	1060 ± 50	90 ± 5	20	1 5/8 - 12	3100 ± 150	260 ± 12.0
12	1 1/16 - 12	1020 ± 50	85 ± 5	1300 ± 50	110 ± 5	24	1 7/8 - 12	3800 ± 150	315 ± 12.0
14	1 3/16 - 12	1550 ± 75	130 ± 6	1750 ± 75	145 ± 6				
16	1 5/16 - 12	1600 ± 75	135 ± 6	1920 ± 75	160 ± 6				
20	1 5/8 - 12	2700 ± 150	225 ± 12	2700 ± 150	225 ± 12				
24	1 7/8 - 12	3000 ± 150	250 ± 12	3000 ± 150	250 ± 12				
32	2 1/2 - 12	3900 ± 200	325 ± 15	3900 ± 200	325 ± 15				

Over tightened fittings will result in crushing the cone which will create a leak.

Charts Developed by Parker Hennipin

MAIN BODY DRAWING



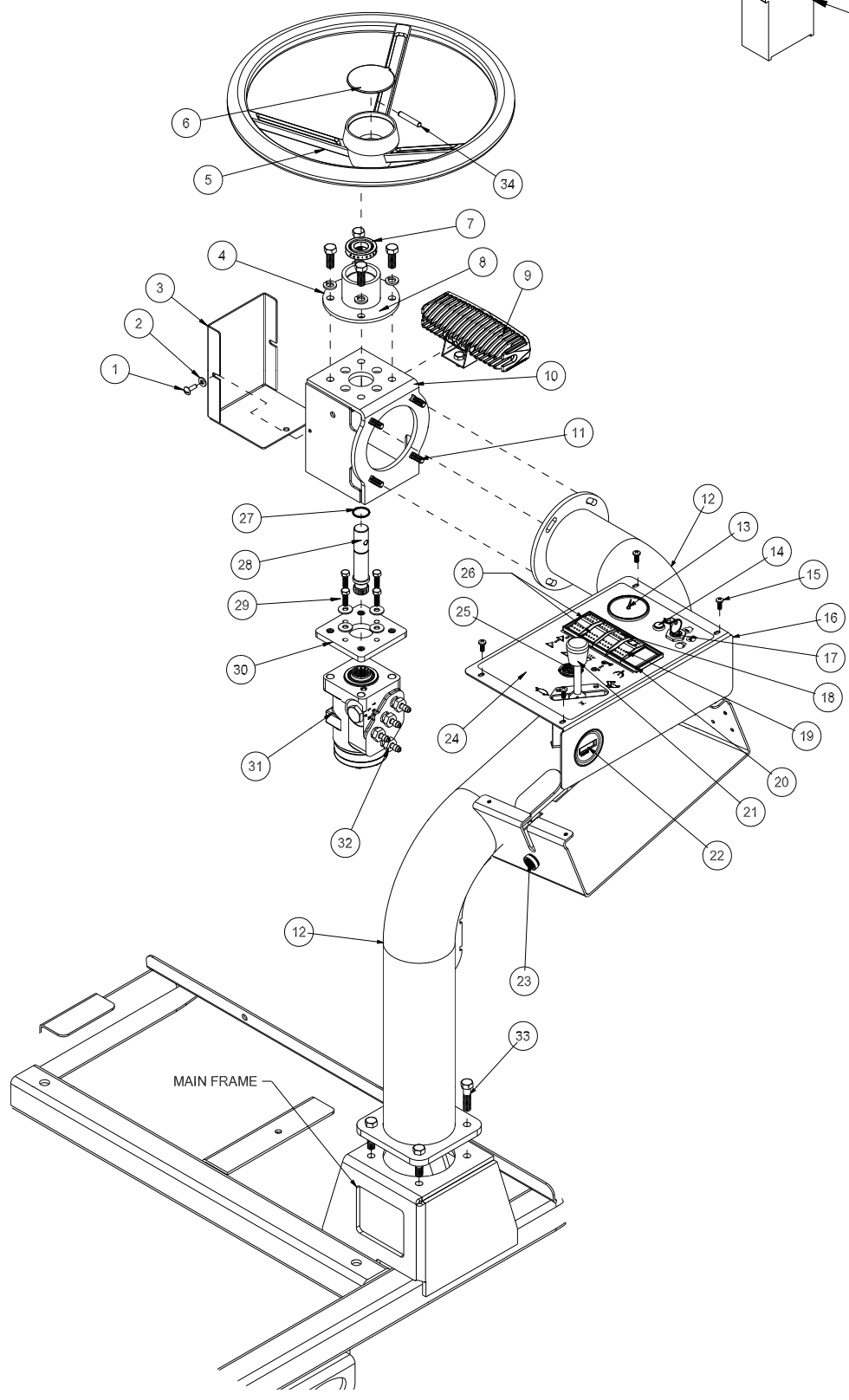
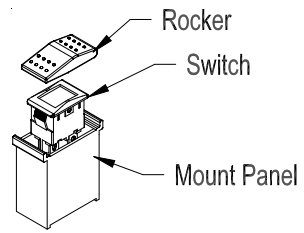
PARTS

MAIN BODY PARTS LIST

REF#	PART#	DESCRIPTION	QUANTITY
1	10-254	Air Gap Filler	1
2	10-700	Roll Bar	1
3	14-294	Seat Kit	1
	14-292	Seat Switch	1
	HB-516-18-125	Hex Bolt, $\frac{5}{16}$ - 18 x 1 $\frac{1}{4}$	4
	HW-516	Flat Washer, $\frac{5}{16}$	4
	HWL-516	Lock Washer, $\frac{5}{16}$	4
	HN-516-18	Hex Nut, $\frac{5}{16}$ - 18	4
4	10-120	Spray Boss Handle	1
5	10-706	Arm Rest Kit	1
6	10-662	Left Front Fender	1
7	20-057	Steering Wheel	1
	20-129	Center Cap	1
8	20-912	LED Head Light	1
9	10-683	Side Console Arm	1
10	10-675	Main Frame	1
11	45-047	Foot Rest (part of Spray System)	1
	45-132	Foot Rest Grip	1
12	10-680	Seat Frame	1
	20-730-01	GPS Speedometer Antenna	1
13	10-678	Reverse Pedal	1
	45-022	Molded Foot Pedal	1
14	10-677	Forward Pedal	1
	45-022	Molded Foot Pedal	1
15	10-694	RH Panel Cover	1
16	10-663	RH Front Fender	1
	15-781	Drink Cup Holder	1
17	10-745	Tire and Wheel	2
	10-745-01	Tire, 20 x 10 - 10	2
	16-857-02	Wheel	2
18	10-695	RH Control Panel	1
19	10-684	Control Panel	1
20	20-659	Mud Flap	4
21	60-106	Park Brake Handle	1
22	76-198-03	Seat Belt	1
23	10-679	Battery Box	1
	33-216	Battery	1
24	15-838	Fuel Tank	1
	78-456	Gas Tank Strap	2
	10-400	Gas Tank Bracket	1
25	78-221	Tire and Wheel	2
	16-225-01	Tire, 24-13-12NHS	2
	78-221-02	Wheel	2
26	10-168	Rear Fender	2
	HBCL-516-18-100	Low Carriage Bolt, $\frac{5}{16}$ - 18 x 1	8
	HNFL-516-18	Flange-Loc Nut, $\frac{5}{16}$ - 18	8
27	17-615	Universal Boom Tube	2
28	16-557	Square Caps	2
29	10-111	110 Gallon Poly Tank	1
30	10-699	Back Panel	1
	9023	Heat Reflective Matting (18 x 25.5)	1 Sheet
31	14-532	Lid (comes with tank)	1
	16-169	Strainer Basket	1



CONTROL PANEL DRAWING

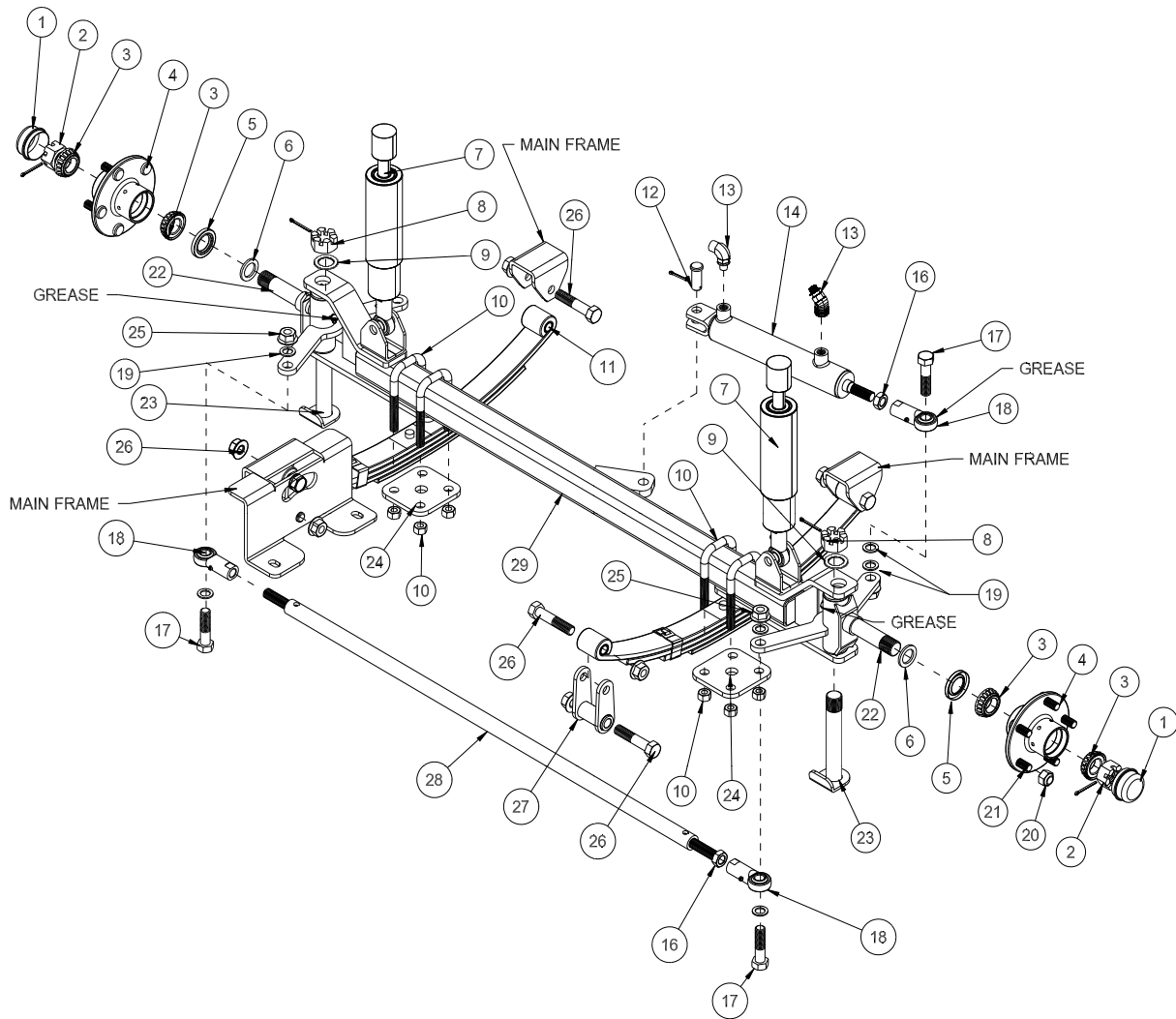


PARTS

CONTROL PANEL PARTS LIST

REF#	PART#	DESCRIPTION	QUANTITY
1	HSM-10-32-063	Machine Screw, #10 -32 x 5/8	2
2	HW-10	Flat Washer, #10	2
3	10-704	Steering Box Cover	1
4	HB-38-16-100	Hex Bolt, ³ / ₈ -16 x 1	4
	HWL-38	Lock Washer, ³ / ₈	4
5	20-057	Steering Wheel	1
6	20-129	Steering Wheel Cap	1
7	10-711	Ball Bearing	1
8	10-698	Steering Column	1
9	20-912	LED Head Light	1
10	10-682	Steering Box	1
11	HBC-516-18-100	Carriage Bolt, ⁵ / ₁₆ - 18 x 1	4
	HNFL-516-18	Flange-Loc Nut, ⁵ / ₁₆ - 18	4
12	10-683	Side Control Arm	1
13	30-356	GPS Speedometer w/Connectors	1
14	50-359	Oil Warning Indicator Light	1
	8853	Female Spade Connector	1
	8958	Male Spade Connector	1
15	HSM-10-32-100	Machine Screw, #10 -32 x 1	4
	HNFL-10-32	Flange-Loc Nut, #10- 32	4
16	10-684	Control Panel	1
17	13-488	Ignition Switch	1
	8-709	Ket Set	1
18	LED Head Light		
	15-727	Rocker	1
	15-729	Panel Mount Middle	1
	15-782	Switch, On-None-Off	1
19	Spray Pump		
	15-731	Amber Rocker	1
	15-729	Panel Mount Middle	1
	15-726	Lighted Switch	1
20	15-730	Panel Mount Plug	1
	15-725	Panel Mount End	1
21	45-118	Throttle Cable	1
22	12-804	Hour Meter	1
23	77-207	Buzzer	1
	8875	Male Bullet	1
	8874	Female Bullet	1
24	10-657	Decal, Control Panel	1
25	32-576	Dual USB Power Charger	1
26	RH and LH Booms		
	15-725	Panel Mount End	1
	15-729	Panel Mount Middle	1
	15-727	Rocker	2
	15-728	Centering Switch, On-Off-On	2
27	HRR-075	Retaining Ring, ³ / ₄ "	1
28	10-708	Splined Steering Shaft	1
29	HBM-6-1-16	Metric Bolt, #6 - 1 x 16	4
	HWLM-6	Metric Lock Washer, M6	4
30	10-689	Orb Adapter	1
31	15-301	Orbital	1
32	18-169	³ / ₈ Adapter Fitting	4
33	HB-38-16-100	Hex Bolt, ³ / ₈ -16-100	4
	HNFL-38-16	Flange-Loc Nut, ³ / ₈ -16	4
34	HRP-14-150	Roll Pin, ¹ / ₄ x 1 ¹ / ₂	1

FRONT AXLE DRAWING

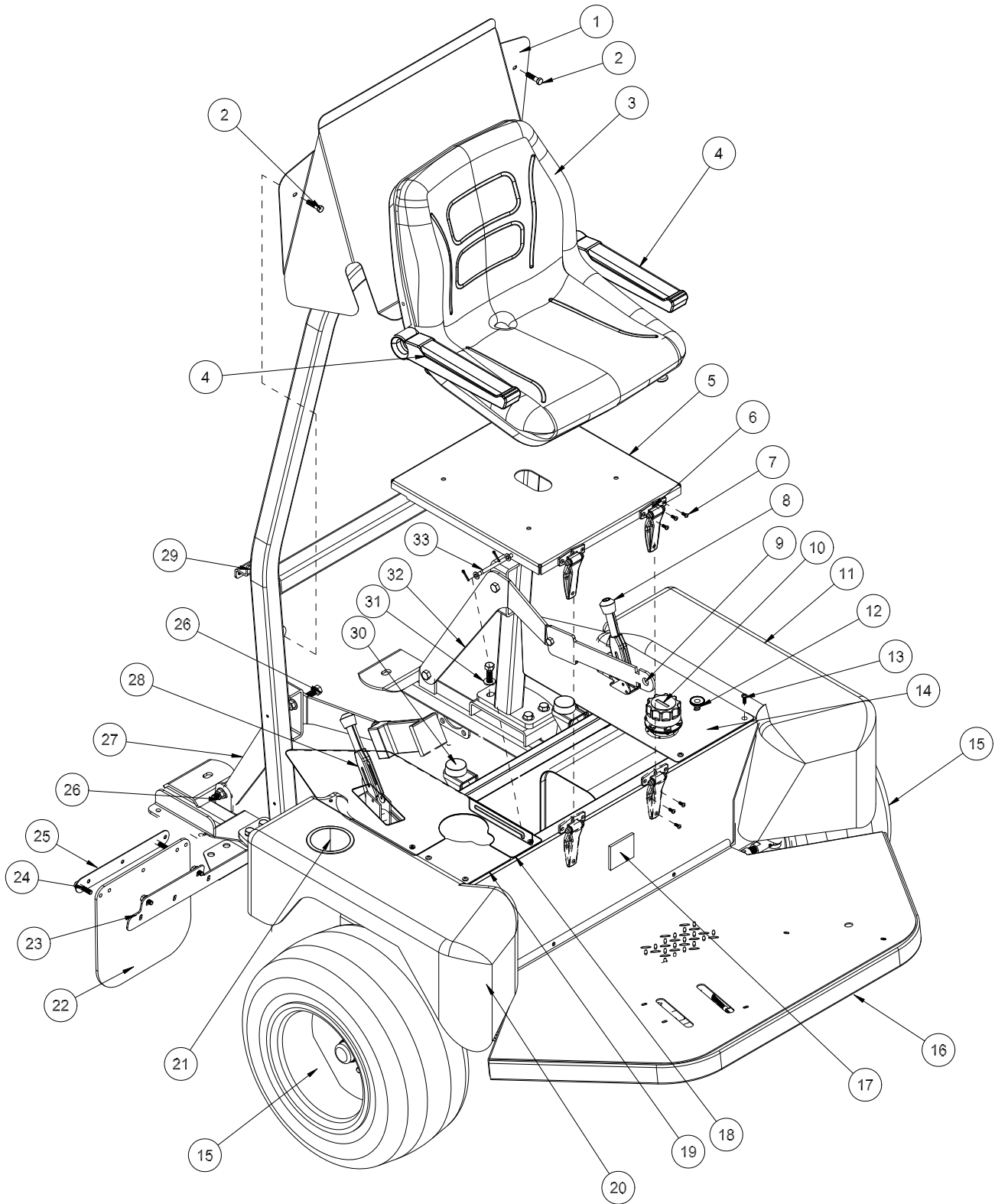


PARTS

FRONT AXLE PARTS LIST

REF#	PART#	DESCRIPTION	QUANTITY
1*	33-073-02	Dust Cap	2
2	HNAR-100-14	Slotted Jam Nut, 1 - 14	2
	HP-18-150	Cotter Pin, 1/8 - 1 1/2	2
3*	11-043	Bearing	4
4	80-019	Hub (includes * items)	2
5*	11-041	Oil Seal	2
6	HMB-100-10	Machine Bushing, 1 x 10GA	2
7	20-617	Shock Absorbers	2
8	HNA-100-14	Slotted Nut, 1 - 14	2
	HP-18-150	Cotter Pin, 1/8 - 1 1/2	2
9	HMB-100-14	Machine Bushing, 1 x 14GA	2
10	20-555	U-bolt	4
	HNTL-12-13	Lock Nut, 1/2 - 13	8
11	20-740	Leaf Spring	2
12	HCP-58-175	Clevis Pin, 5/8 - 1 3/4	1
	HP-18-100	Cotter Pin, 1/8 x 1	1
13	18-168	90° Elbow	2
14	77-263	Hydraulic Cylinder	1
	14-530	Seal Kit	1
16	HNJ-58-18	Jam Nut, 5/8 - 18	3
17	HB-58-11-250	Bolt, 5/8 - 11 x 2 1/2	3
18	18-154	Rod End	3
	HG-14-28-180	Grease Fitting, 1/4 - 28 x 180°	3
19	HMB-58-14	Machine Bushing, 5/8 x 14GA	6
20*	HNL-12-20	Lug Nut, 1/2 - 20	10
21*	27-022-02	Stud, 1/2 - 20 1 7/16	10
22	10-582	Spindle	2
	18-035	Bushing (part of Spindle; 2 per)	4
	HG-14-28-45	Grease Fitting, 1/4 - 28 x 45°	2
23	16-076	King Pin	2
24	20-538	Spring Mount	2
25	HNTL-58-11	Lock Nut, 5/8 - 11	7
26	HB-916-18-325	Hex Bolt, 9/16 - 18 x 3 1/4	6
	HNTL-916-18	Lock Nut, 9/16 - 18	6
27	10-634	Shackle	2
28	10-583	Steering Link	1
29	10-629	Front Axle	1

SEAT CONSOLE DRAWING



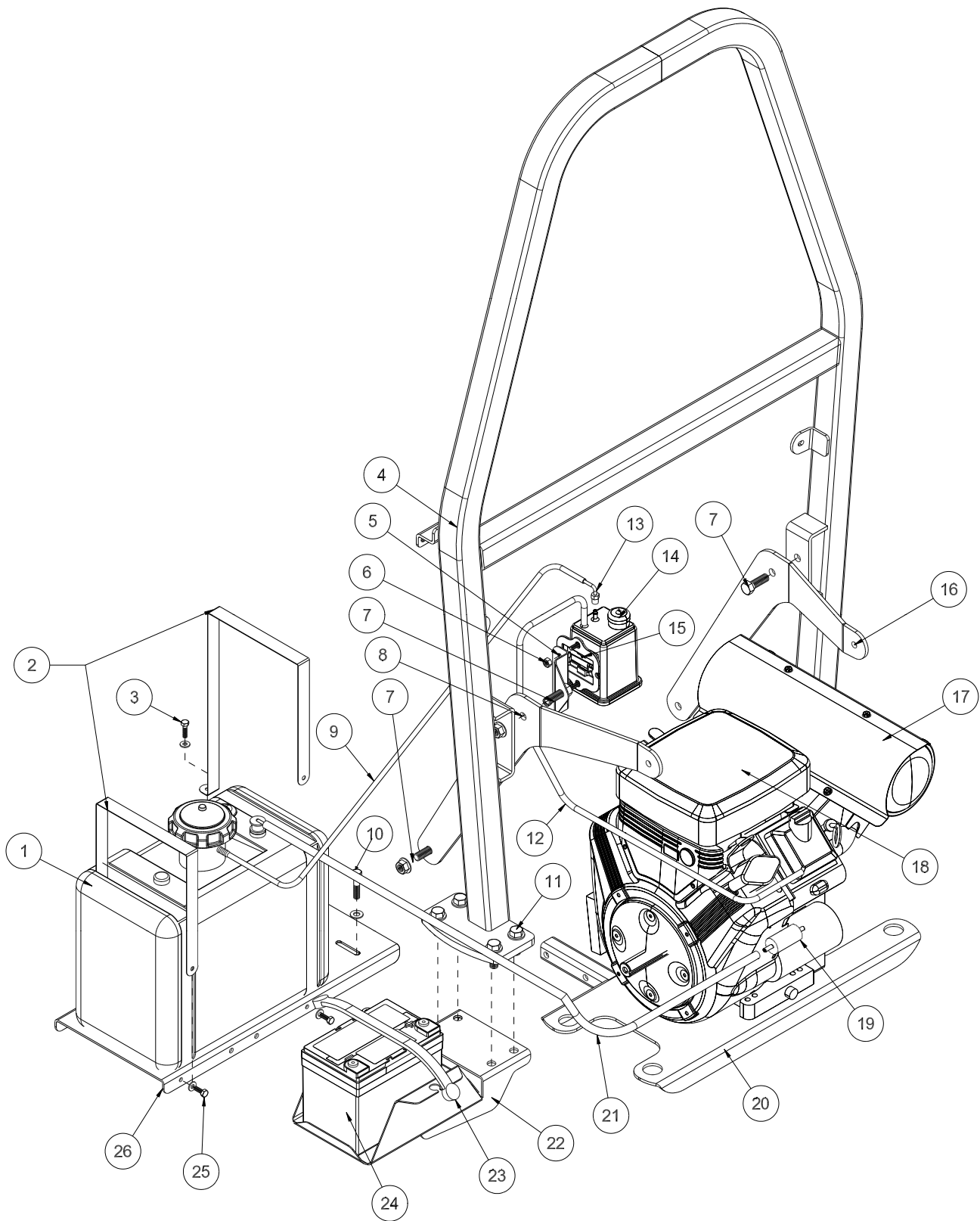
PARTS

SEAT CONSOLE PARTS LIST

REF#	PART#	DESCRIPTION	QUANTITY
1	10-699	Back Panel	1
	9023	Heat Reflective Matting	1 Sheet
2	HSTP-516-18-075	Truss Head Screw, $\frac{5}{16}$ - 18 x $\frac{3}{4}$	2
	HNFL-516-18	Flange-Loc Nut, $\frac{5}{16}$ - 18	2
3	14-294	Seat Kit	1
	14-292	Seat Switch	1
	14-800	Seat Rail	1
	HB-516-18-125	Hex Bolt, $\frac{5}{16}$ - 18 x $1\frac{1}{4}$	4
	HW-516	Flat Washer, $\frac{5}{16}$	4
	HWL-516	Lock Washer, $\frac{5}{16}$	4
	HN-516-18	Hex Nut, $\frac{5}{16}$ - 18	4
4	10-706	Arm Rest Kit	1
5	10-714	Seat Panel	1
6	27-055	Hinge	2
7	HSMFCS-10-32-050	Machine Screw, #10-32- $\frac{1}{2}$	12
	HNFL-10-32	Flange-Loc Nut, #10-32	12
8	10-120	Speed Boss Handle	1
9	76-198-03	Seat Belt	1
10	13-747	Filler Breather	1
	60-473	Oil Tank	1
11	10-662	LH Front Fender	1
12	80-020	Choke Cable	1
13	HSDPS-14-100	Pan Head Drill Screw, $\frac{1}{4}$ x 1	8
14	10-696	LH Control Panel	1
15	10-745	Tire and Wheel	2
	10-745-01	Tire, 20 x 10 - 10	2
	16-857-02	Wheel	2
16	10-675	Main Frame	1
17	10-680	Seat Frame	1
	20-730-01	GPS Speedometer Antenna	1
18	10-695	RH Control Panel	1
19	10-694	RH Panel Cover	1
20	10-663	RH Front Fender	1
21	15-781	Drink Cup Holder	1
22	20-659	Mud Flap	2
23	10-735	RH Fender Brace	1
	10-736	LH Fender Brace (not shown)	1
	HBCL-516-18-075	Carriage Bolt, $\frac{5}{16}$ - 18 x $\frac{3}{4}$	4
	HNFL-516-18	Flange-Loc Nut, $\frac{5}{16}$ - 18	4
24	HB-14-20-075	Hex Bolt, $\frac{1}{4}$ - 20 x $\frac{3}{4}$	6
	HWF-14-150	Fender Washer, $\frac{1}{4}$ x $1\frac{1}{2}$	6
	HNFL-14-20	Flange-Loc Nut, $\frac{1}{4}$ - 20	6
25	20-660	Mud Flap Bracket	2
26	HB-12-13-150	Hex Bolt, $\frac{1}{2}$ - 13 x $1\frac{1}{2}$	4
	HNTL-12-13	Lock Nut, $\frac{1}{2}$ - 13	4
27	10-701	RH Seat Belt Mount	1
28	60-106	Park Brake Handle	1
29	10-700	Roll Bar	1
30	50-081	Rubber Bumper	2
	HNTL-38-16	Lock Nut, $\frac{3}{8}$ - 16	2
31	HB-12-13-175	Hex Bolt, $\frac{1}{2}$ - 13 x $1\frac{3}{4}$	8
	HW-12	Flat Washer, $\frac{1}{2}$	8
	HNTL-12-13	Lock Nut, $\frac{1}{2}$ - 13	4
32	10-702	LH Seat Belt Mount	1
33	10-697	Seat Prop Rod	1
	HW-38	Flat Washer, $\frac{3}{8}$	2
	HP-18-075	Cotter Pin, $\frac{1}{8}$ x $\frac{3}{4}$	2

FUEL TANK DRAWING

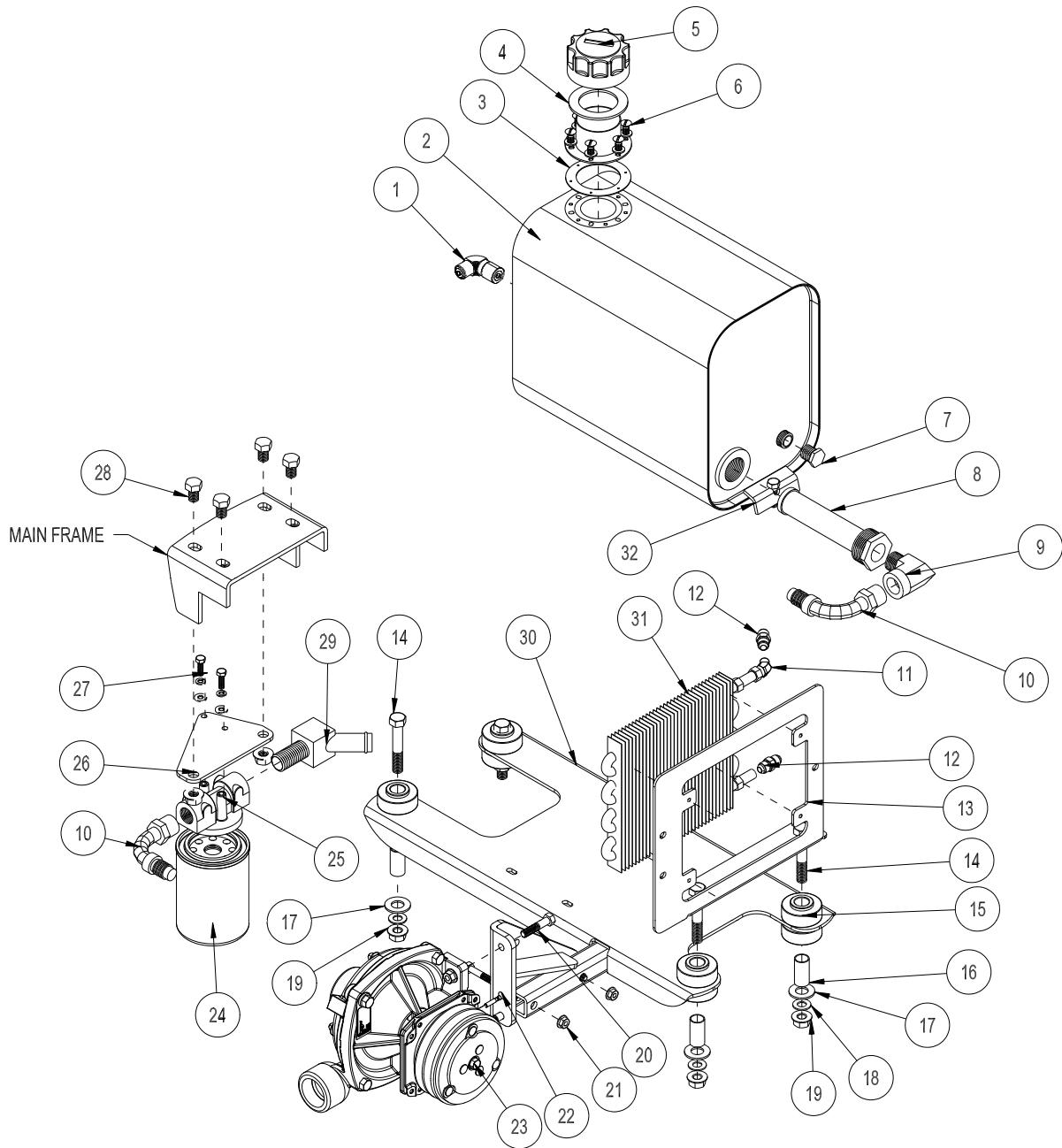
PARTS



FUEL TANK PARTS LIST

REF#	PART#	DESCRIPTION	QUANTITY
1	15-838	CARB Gas Tank	1
	15-838-01	Dial Fuel Level Gauge (replacement)	1
	73-050	Vented Cap with Gauge (replacement)	1
2	78-456	Tank Strap	2
3	HB-14-20-100	Hex Bolt, 1/4 - 20 x 1	2
	HNTL-14-20	Lock Nut, 1/4 - 20	2
4	10-700	Roll Bar	1
5	10-681	Canister Mount	1
7	HB-12-13-150	Hex Bolt, 1/2 - 13 x 1 1/2	4
	HNTL-12-13	Lock Nut, 1/2 - 13	4
8	10-701	RH Seat Belt Mount	1
9	8800-26	1/4" Fuel Hose x 26"	1
	18-186	Hose Clamp	2
10	HB-12-13-125	Hex Bolt, 1/2 - 13 x 1 1/4	2
	HW-12	Flat Washer, 1/2	2
	HNFL-12-13	Flange-Loc Nut, 1/2 - 13	2
11	HB-12-13-175	Hex Bolt, 1/2 - 13 x 1 3/4	8
	HW-12	Flat Washer, 1/2	8
	HNTL-12-13	Lock Nut, 1/2 - 13	8
12	9025-28	3/16" Fuel Hose x 28"	1
	18-186	Hose Clamp	2
13	8-693	Hose Connector (comes with engine)	1
14	8-738	Carbon Canister	1
15	8-688	Carbon Canister Mount	1
16	10-702	LH Seat Belt Mount	1
17	10-575-01	Muffler	1
18	10-753	Engine, B&S, 23HP	1
	10-575-02	Air Filter	1
	10-575-03	Air Filter Pre-Cleaner	1
	13-531	Engine Oil Filter	1
19	50-403	In-line Gas Filter (replacement)	1
	18-186	Hose Clamp	1
20	10-580	Engine Plate	1
21	8800-46	1/4" Fuel Hose 46"	1
	18-186	Hose Clamp	2
22	10-679	Battery Box	1
23	8-603	Strap	1
24	33-216	Battery	1
25	HB-14-20-075	Hex Bolt, 1/4 - 20 x 3/4	2
	HNTL-14-20	Lock Nut, 1/4 - 20	2
26	10-400	Gas Tank Bracket	1

OIL TANK -OIL FILTER-OIL COOLER DRAWING



MAIN FRAME

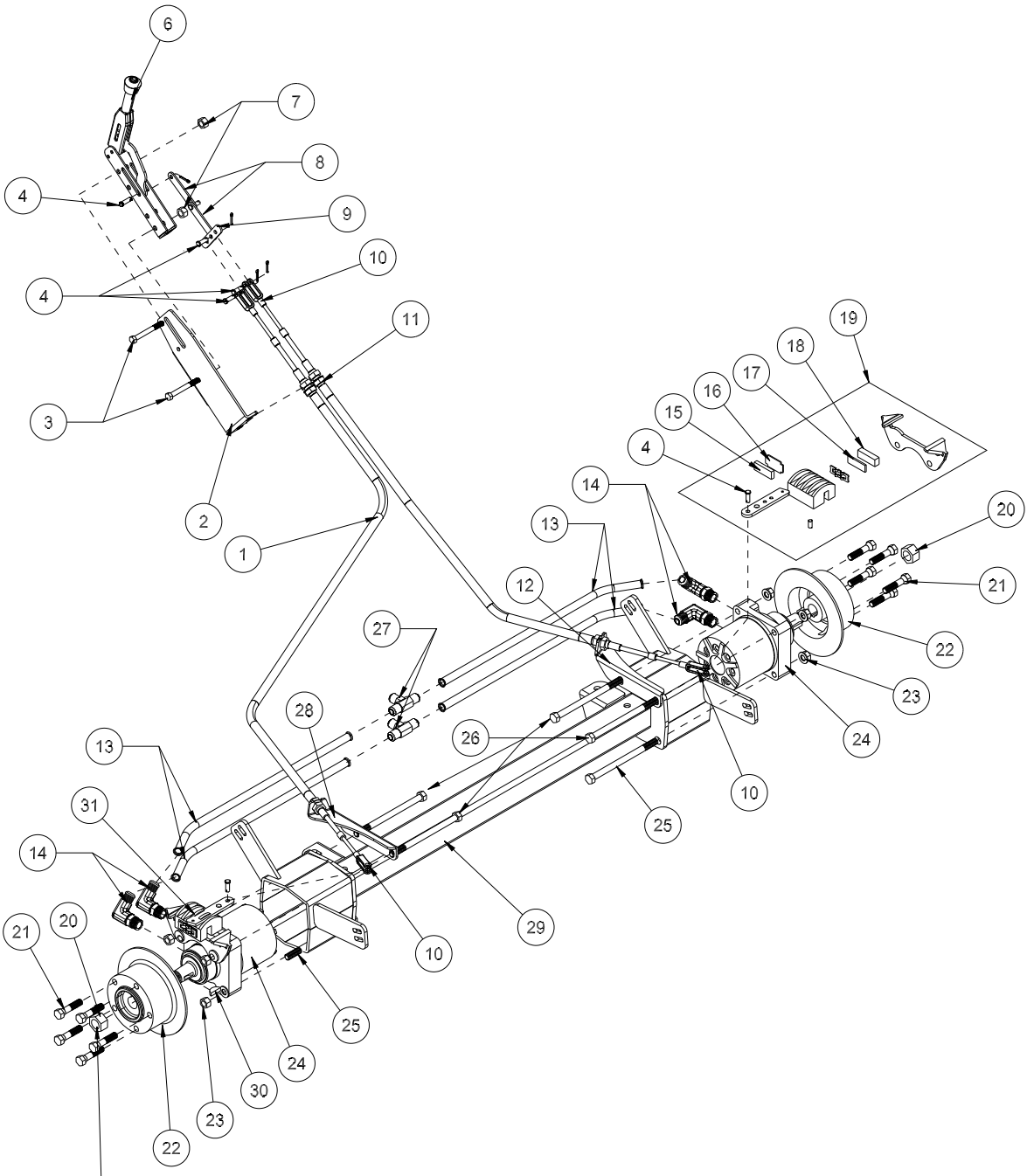
PARTS

OIL TANK -OIL FILTER-OIL COOLER PARTS LIST

REF#	PART#	DESCRIPTION	QUANTITY
1	18-246	Male Elbow	1
2	60-473	Hydraulic Oil Tank	1
3*	13-586-02	Bottom Gasket	1
4	13-586-03	Neck	1
5	13-747	Filler Breather (includes * items)	1
*	13-586-01	Cap Gasket	1
6	HSM-10-32-063	Machine Screw, 10 - 32 x 5/8	6
	HWL-10	Lock Washer, #10	6
7	18-069	Replacement Plug	1
8	60-213	Strainer	1
9	18-140	Street Elbow	1
10	34-123	Elbow	2
11	18-214	45° Elbow	1
12	18-410	Adapter	2
13	10-733	Cooler Mount	1
14	HB-12-13-300	Hex Bolt, 1/2 - 13 x 3	4
15	60-107	Rubber Bushing	8
16	60-168	Spacer	4
17	HW-58	Flat Washer, 5/8	4
18	HW-716	Flat Washer, 7/16	4
19	HNFL-12-13	Flange-Loc Nut, 1/2 - 13	4
20	HB-38-16-175	Hex Bolt, 3/8 - 16 x 1 3/4	2
	HW-38	Flat Washer, 3/8	2
	HNTL-38-16	Lock Nut, 3/8 - 16	2
21	HB-516-18-175	Hex Bolt, 5/16 -18 x 1 3/4	2
	HW-516	Flat Washer, 5/16	2
22	10-593	Hypro Pump Mount	1
23	16-998	Hypro® Pump	1
24	23-031	Replacement Filter Element, 25 Micron	1
25	23-006	Oil Filter Assembly	1
26	10-687	Oil Filter Mount	1
27	HB-14-20-075	Hex Bolt, 1/4 - 20 x 3/4	2
	HW-14	Flat Washer, 1/4	2
	HWL-14	Lock Washer, 1/4	2
28	HB-12-13-175	Hex Bolt, 1/2 - 13 x 1 3/4	8
	HW-12	Flat Washer, 1/2	8
	HNTL-12-13	Lock Nut, 1/4 - 13	8
29	18-508	Barb Elbow	1
30	10-580	Engine Plate	1
31	45-382	Oil Cooler w/ Mount Kit	1
32	75-792	Tank Hold-down	1
	HB-516-18-150	Hex Bolt, 5/16 -18 x 1 1/2	1
	HW-516	Flat Washer, 5/16	1
	HNTL-516-18	Lock Nut, 5/16 -18	1



FOOT PEDAL LINKAGE DRAWING



HUB NUT
TORQUE TO 160FT/LBS(208Nm)

PARTS

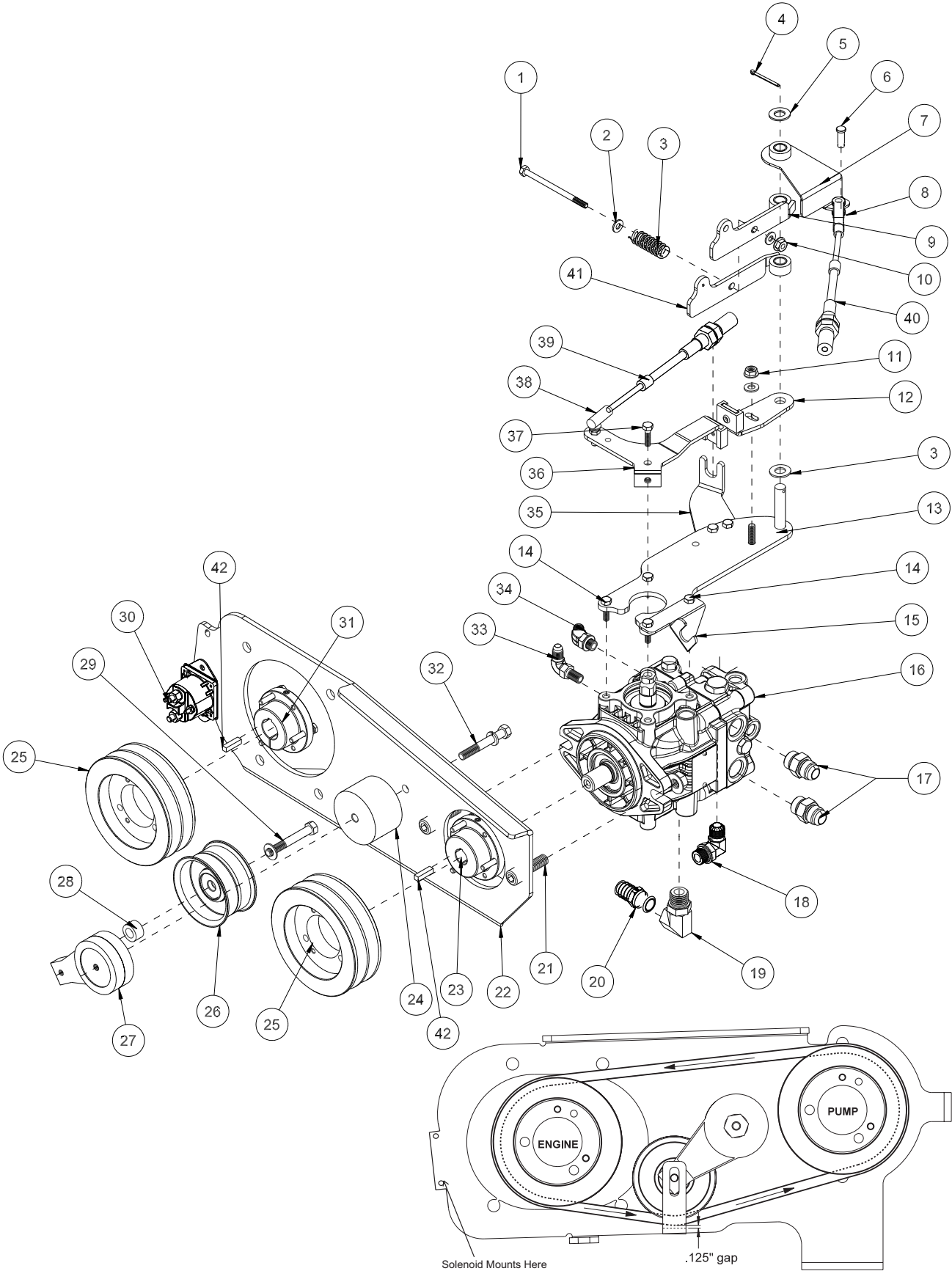
FOOT PEDAL LINKAGE PARTS LIST

REF#	PART#	DESCRIPTION	QUANTITY
1	HNTL-516-18	Lock Nut, $\frac{5}{16}$ - 18	2
2	10-120	Spray Boss Handle	1
4	HB-516-18-200	Hex Bolt, $\frac{5}{16}$ -18 x 2	2
5*	45-132	Foot Rest Grip	1
6*	45-047	Foot Rest	1
7*	HSTP-516-18-075	Truss Head Screw, $\frac{5}{16}$ - 18 x $\frac{3}{4}$	7
	HNTL-516-18	Lock Nut $\frac{5}{16}$ - 18	7
8	HCP-516-100	Clevis Pin, $\frac{5}{16}$ x 1	4
9	45-022	Molded Foot Pedal	2
10	11-100	Yoke, $\frac{5}{16}$ - 24	4
11	HP-18-100	Cotter Pin, $\frac{1}{8}$ x 1	5
12	10-598	Connector Rod	2
	HN-516-24	Hex Nut, $\frac{5}{16}$ - 24	4
13	21-462	Ball Joint, $\frac{5}{16}$ -24	2
14	HMB-12-14	Machine Bushing, $\frac{1}{2}$ x 14GA	2
15	10-676	Pedal Relay	1
16	11-103	Yoke, $\frac{1}{4}$ - 28	1
17	HBFL-516-18-075	Flange Whiz-loc Bolt, $\frac{5}{16}$ -18 x $\frac{3}{4}$	2
	HNFL-516-18	Flange Whiz-loc Nut, $\frac{5}{16}$ -18	2
18	10-565	Cable	1
19	10-674	Pedal Mount	1
20	10-677	Forward Pedal Assembly	1
	76-128	Bushing	2
	HG-14-28-180	Grease Zerk	1
21	HWL-516	Lock Washer, $\frac{5}{16}$	2
	HN-516-24	Hex Nut, $\frac{5}{16}$ - 18	2
22	10-678	Reverse Pedal Assembly	1
	76-128	Bushing	2
	HG-14-28-180	Grease Zerk	1
23	HB-14-20-075	Hex Bolt, $\frac{1}{4}$ - 20 x $\frac{3}{4}$	1
	HN-14-20	Hex Nut, $\frac{1}{4}$ - 20	1
24	10-673	Pedal Pivot	1
25	10-686	Control Cable Mount	1
26	10-693	Spray Boss Arm	1
27	45-373	DDC Piston Pump	1
28	10-703	Swash Arm	1
29	10-658	Spray Boss Cable	1
30	HCP-14-075	Clevis Pin, $\frac{1}{4}$ x $\frac{3}{4}$	1
31*	33-509	Spray Switch (Radion System only)	1
32*	10-705	Foot Rest (Radion System only)	1
33	18-115	Ball Joint, $\frac{1}{4}$ -28	1

* Comes with Spray Systems.

PUMP DRAWING

PARTS



Belt Routing

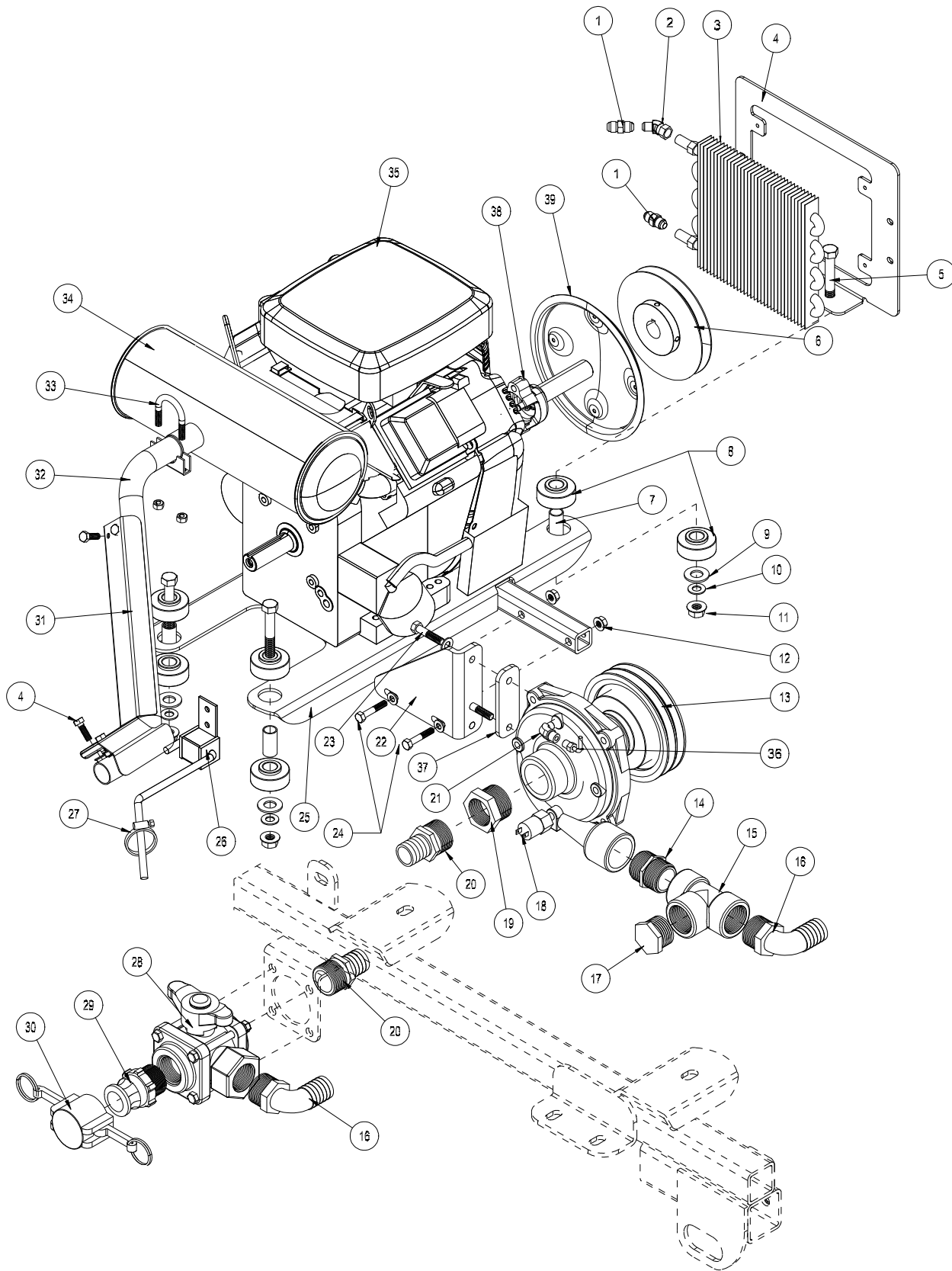
PUMP PARTS LIST

REF#	PART#	DESCRIPTION	QUANTITY
1	HB-14-20-400	Hex Bolt, 1/4 - 20 x 4	1
2	HW-14	Flat Washer, 1/4	2
3	10-477	Compression Spring	1
4	HP-18-075	Cotter Pin, 1/8 x 3/4	1
5	HMB-12-14	Machine Bushing, 1/2 x 14GA	2
6	HCP-516-100	Clevis Pin, 5/16 x 1	1
7	10-693	Spray Boss Arm	1
8	11-100	Yoke, 5/16 - 24	1
9	45-368	Top Centering Arm	1
10	HNTL-14-20	Lock Nut, 1/4 - 20	1
11	HNTL-516-18	Lock Nut, 5/16 - 18	1
	HW-516	Washer, 5/16	1
12	45-327	Wheel Creep Arm	1
	8946-1	Wear Strip 1"	1
	HR-316-100	Rivet	1
	HRW-316	Rivet Washer, 3/16	1
13	10-710	Control Mount	1
14	HB-38-16-100	Hex Bolt, 3/8 - 16 x 1	6
	HNTL-38-16	Lock Nut, 3/8 - 16	6
15	10-685	Spray Boss Cable Mount	1
16	45-373	DDC20 Piston Pump	1
17	18-505	Adapter	2
18	18-174	1/2" Straight Elbow	1
19	23-127	Elbow	1
20	18-133	Barb Fitting, 1/2 MPT x 3/4 Barb	1
21	HSSH-12-13-175	Socket Screw, 1/2 - 13 x 1 3/4	2
	HNFL-12-13	Flange-Loc Nut, 1/2 - 13	2
22	10-709	Pump Mount	1
23	45-376	Hub, 7/8"	1
24	42-361	Tensioner Spacer	1
25	42-331	Pulley	2
26	42-358	Idler Pulley	1
27	42-327	Belt Tensioner	1
28	16-990	Spacer	1
29	HB-38-16-275	Hex Bolt, 3/8 - 16 x 2 3/4	1
	HW-38	Flat Washer, 3/8	1
	HNTL-38-16	Lock Nut, 3/8 - 16	1
30	13-750	Solenoid w/ Connector	1
	22-017	Starter Cable	1
31	42-245	Hub 1"	1
32	HB-38-16-250	Hex Bolt, 3/8 - 16 x 2 1/2	1
	HWL-38	Lock Washer, 3/8	1
33	18-506	Elbow	1
34	18-188	45° Elbow	1
35	10-686	Control Cable Mount	1
36	10-703	Swash Arm	1
	8946-1	Wear Strip 1"	1
	HR-316-100	Rivet	1
	HRW-36	Rivet Washer	1
37	HBM-8-1.25-25	Metric Hex Bolt, #8 - 1.25 x 25	1
	HWL-8	Metric Lock Washer. #8	1
38	18-115	Ball Joint, 1/4 - 28	1
39	10-565	Cable	1
40	10-658	Spray Boss Cable	1
41	45-367	Bottom Centering Arm	1
42	HNSQ-14-100	Square Key, 1/4 x 1	2
NS	42-359	Belt	1



ENGINE AND SPRAY PUMP DRAWING

PARTS

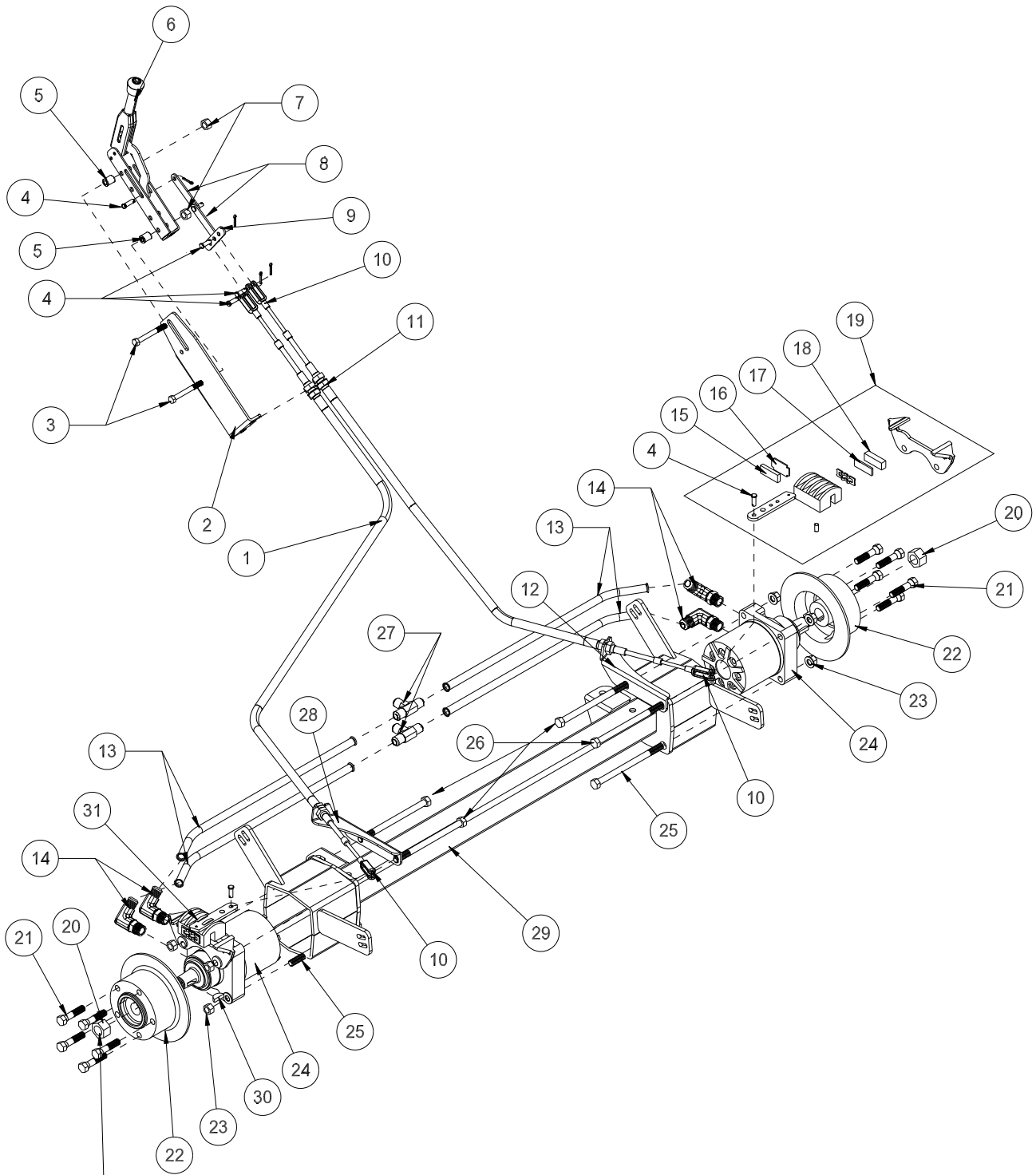


ENGINE AND SPRAY PUMP PARTS LIST

REF#	PART#	DESCRIPTION	QUANTITY
1	18-410	Adapter	2
2	18-214	45° Elbow	1
3	45-382	Oil Cooler w/ mount kit	1
4	10-733	Oil Cooler Mount Bracket	1
5	HB-12-13-300	Hex Bolt, 1/2 - 13 x 3	4
6	10-578	Pulley	1
7	60-168	Spacer	4
8	60-107	Rubber Bushing	8
9	HW-58	Flat Washer, 5/8	4
10	HW-716	Flat Washer, 7/16	4
11	HNFL-12-13	Flange-Loc Nut, 1/2- 13	4
12	HNFL-516-18	Flange-Loc Nut, 5/16 - 18	2
13	16-998	Hypro® Pump	1
14	16-880	Close Nipple, 1 1/4"	1
15	18-390	Pipe Tee, 1 1/4"	1
16	16-156	Elbow, 1 1/4 MPT x 1 1/4 HB	2
17	10-389	Plug, 1 1/4"	1
18	33-480	Pressure Switch	1
19	16-825	Hex Bushing, 1 1/2 x 1 1/4	1
20	16-161	Fitting, 1 1/4 MPT x 1 1/4 HB	2
21	18-044	1/8" Street Elbow	1
22	10-593	Hypro Pump Mount	1
23	HB-38-16-175	Hex Bolt, 3/8 - 16 x 1 3/4	2
	HW-38	Flat Washer, 3/8	2
	HNTL-38-16	Lock Nut, 3/8 - 16	2
24	HB-516-18-175	Hex Bolt, 5/16 -18 x 3/4	2
	HW-516	Flat Washer, 5/16	2
25	10-580	Engine Plate	1
26	10-622	Exhaust Hanger	1
27	18-222	Hose Clamp	1
28	18-372	3-Way Valve	1
29	16-180	Quick Coupler, 1 1/4" Male	1
30	16-935	Quick Coupler Cap	1
31	10-476	Exhaust Shield	1
32	10-585	Exhaust	1
33	18-220	Muffler Clamp, 1 1/4"	1
34	10-575-01	Muffler	1
	10-575-05	Exhaust Gasket	2
35	10-575	Briggs, 23HP Engine	1
	10-575-02	Air Filter	1
	10-575-03	Air Filter Pre-Cleaner	1
	13-531	Engine Oil Filter	1
	13-491	Oil Sender	1
36	18-475	Male Elbow	1
37	10-618	Pump Mount Spacer	1
38	10-754	Stub Shaft	1
39	10-755	Screen	1
NS	15-704	Belt	1

PARK BRAKE DRAWING

PARTS



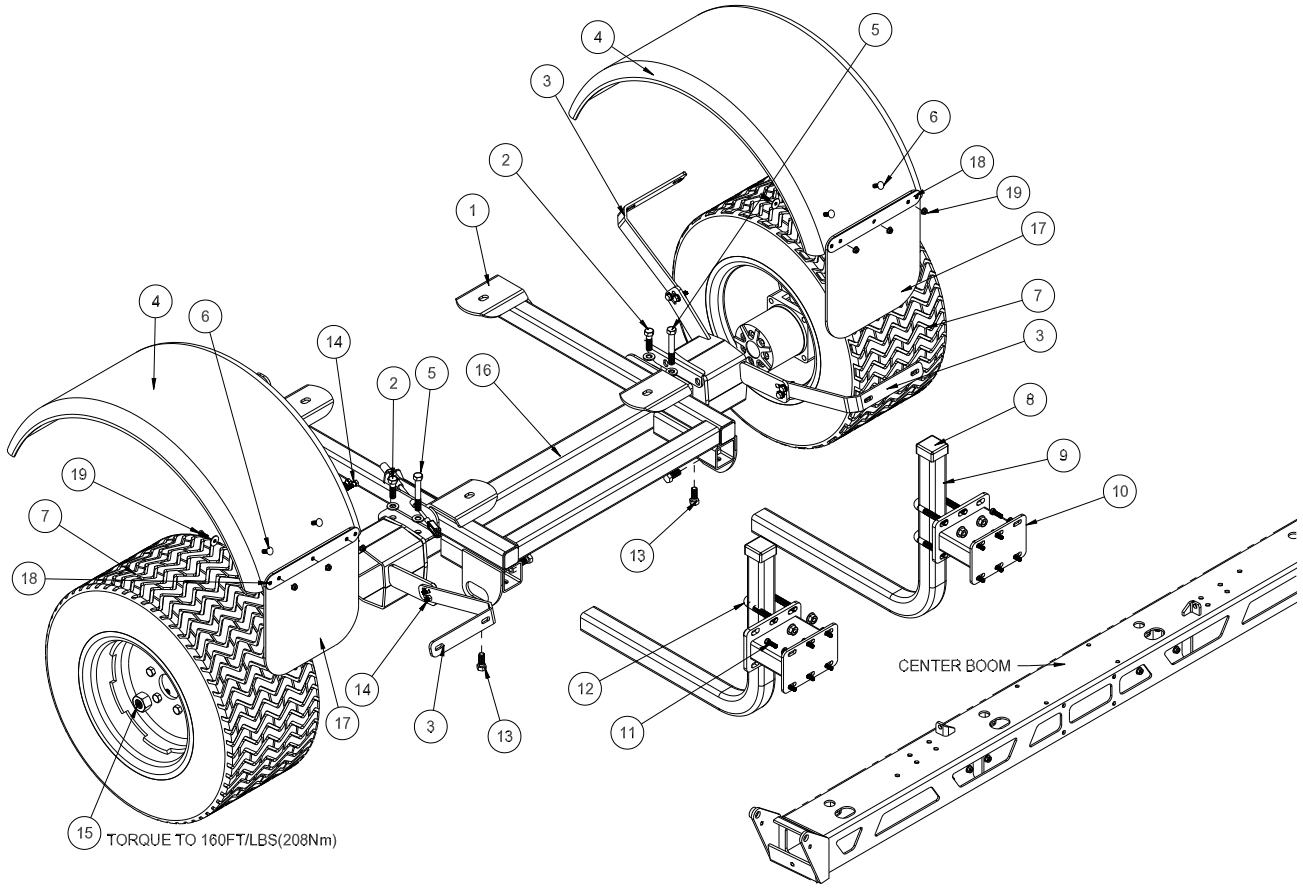
HUB NUT
TORQUE TO 160FT/LBS(208Nm)

PARK BRAKE PARTS LIST

REF#	PART#	DESCRIPTION	QUANTITY
1	10-660	LH Brake Cable	1
2	10-590	Brake Lever Mount	1
3	HB-516-18-200	Hex Bolt, $\frac{5}{16}$ - 18 x 2	2
4	HCP-516-100	Clevis Pin, $\frac{5}{16}$ x 1	6
	HP-18-100	Cotter Pin, $\frac{1}{8}$ x 1	6
5	10-134	Spacer	2
6	60-106	Park Brake Handle	1
7	HNFL-516-18	Flange-Loc Nut, $\frac{5}{16}$ - 16	2
8	45-074	Park Brake Link	2
9	10-591	Brake Equalizer	1
10	11-100	Linkage Yokes, $\frac{5}{16}$	4
	HN-516-24	Hex Nut, $\frac{5}{16}$ - 24	8
11	10-659	RH Brake Cable	1
12	10-589	RH Brake Cable Bracket	1
13	20-656	Hydraulic Tube Assembly	4
14	34-122	Short Elbow	4
15*		Carrier Side Pad	1
16*		Carrier Side Pad Support	1
17*		Cam Side Pad Support	1
18*		Cam Side Pad	1
19	76-241	Right Caliper (CW)	1
20	14-265	Nut, 1 - 20 (included with Ref# 24)	2
21	60-268	Lug Bolt, $\frac{1}{2}$ - 20 x $1\frac{5}{16}$	10
22	76-239	8" Brake Disk (5 hole)	2
23	HNFL-12-13	Flange-Loc Nut, $\frac{1}{2}$ - 13	8
24	10-510	Wheel Motor	2
25	HB-12-13-750	Hex Bolt, $\frac{1}{2}$ - 13 x $7\frac{1}{2}$	4
26	HB-12-13-800	Hex Bolt, $\frac{1}{2}$ - 13 x 8	4
27	34-057	Tee 1"	2
28	10-588	LH Brake Cable Bracket	1
29	10-473	Rear Axle	1
30	HWK-516-100	Woodruff Key, $\frac{5}{16}$ x 1 (included with Ref# 24)	2
31	76-240	Left Caliper (CCW)	1

* 34-101-02 Pad Kit with 2 Pads and Steel Backing Plates 2 Kits

REAR AXLE DRAWING

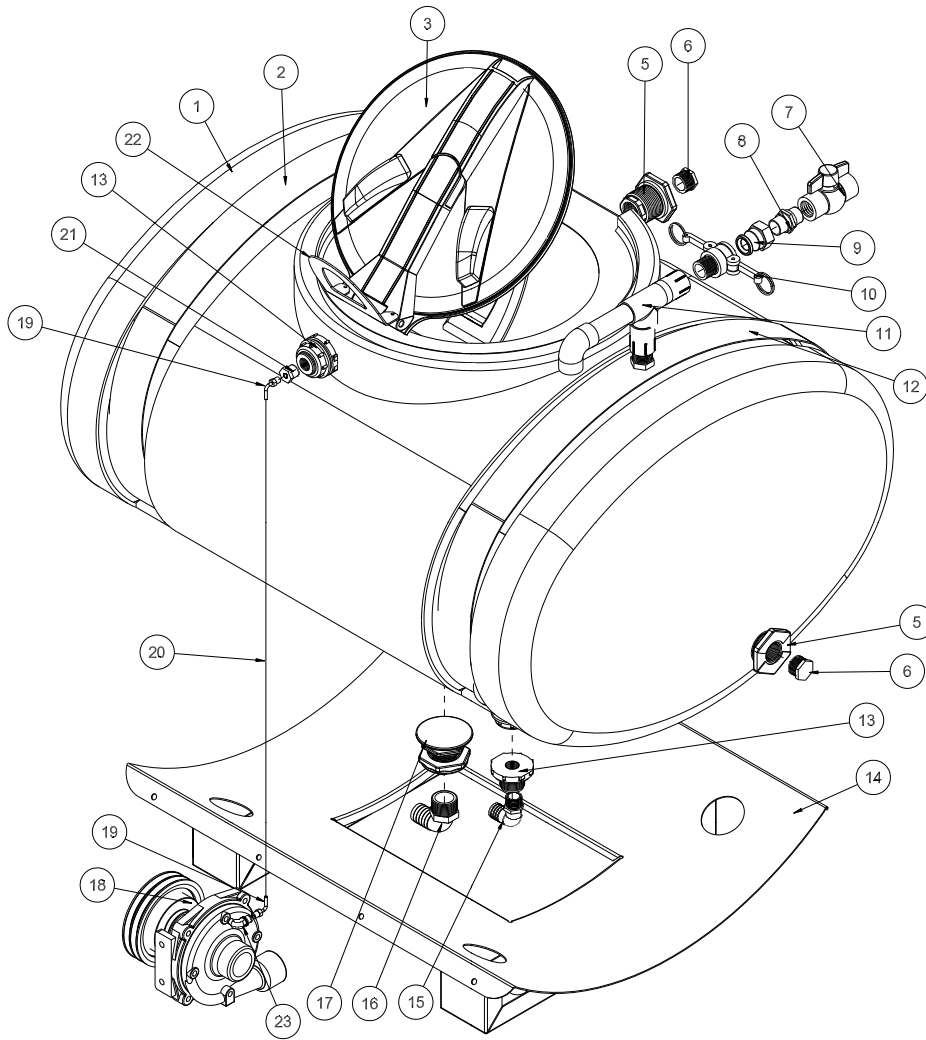


PARTS

REAR AXLE PARTS LIST

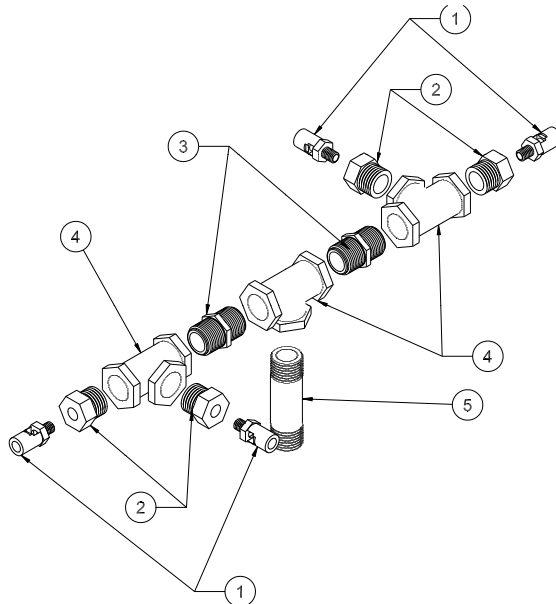
REF#	PART#	DESCRIPTION	QUANTITY
1	10-675	Main Frame	1
2	HB-12-13-175	Hex Bolt, $\frac{1}{2}$ - 13 x $1\frac{3}{4}$	2
	HW-12	Flat Washer, $\frac{1}{2}$	2
	HNTL-12-13	Lock Nut, $\frac{1}{2}$ -13	2
3	10-466	Rear Fender Bracket	4
4	10-168	Rear Fender	2
5	HB-12-13-350	Hex Bolt, $\frac{1}{2}$ - 13 x $3\frac{1}{2}$	2
	HW-12	Flat Washer, $\frac{1}{2}$	2
	HNTL-12-13	Lock Nut, $\frac{1}{2}$ -13	2
6	HBCL-516-18-075	Carriage Bolt, $\frac{5}{16}$ - 18 - $\frac{3}{4}$	8
	HNFL-516-18	Flange-Loc Nut, $\frac{5}{16}$ - 18	8
7	78-221	Rear Tire and Wheel	2
	16-225-01	Tire	2
	78-221-02	Wheel	2
8	16-557	Square Cap	2
9	17-615	Boom Carrier	2
10	17-614	Boom Spacer	2
11	HB-516-18-100	Hex Bolt, $\frac{5}{16}$ - 18 x 1	12
	HW-516	Flat Washer, $\frac{5}{16}$	12
	HNFL-516-18	Flange-Loc Nut, $\frac{5}{16}$ - 18	12
12	20-555	U-bolt	4
	HNFL-12-13	Flange-Loc Nut, $\frac{1}{2}$ - 13	8
13	HB-12-13-125	Hex Bolt, $\frac{1}{2}$ - 13 x $1\frac{1}{4}$	4
	HN-12-13	Hex Nut, $\frac{1}{2}$ - 13	4
14	HB-516-18-125	Hex Bolt, $\frac{5}{16}$ - 18 x $1\frac{1}{4}$	8
	HW-516	Flat Washer, $\frac{5}{16}$	16
	HNTL-516-18	Lock Nut, $\frac{5}{16}$ - 18	8
15	14-265	Hex Nut, 1 - 20	2
16	10-473	Rear Axle	1
17	20-659	Mud Flap	2
18	20-660	Mud Flap Strap	2
19	HB-14-20-075	Hex Bolt, $\frac{1}{4}$ -20 x $\frac{3}{4}$	6
	HWF-14-150	Fender Washer, $\frac{1}{4}$ x $1\frac{1}{2}$	6
	HNFL-14-20	Flange-Loc Nut, $\frac{1}{4}$ - 20	6

TANK DRAWING



PARTS

TURBO-QUAD AGITATOR DRAWING



TANK PARTS LIST

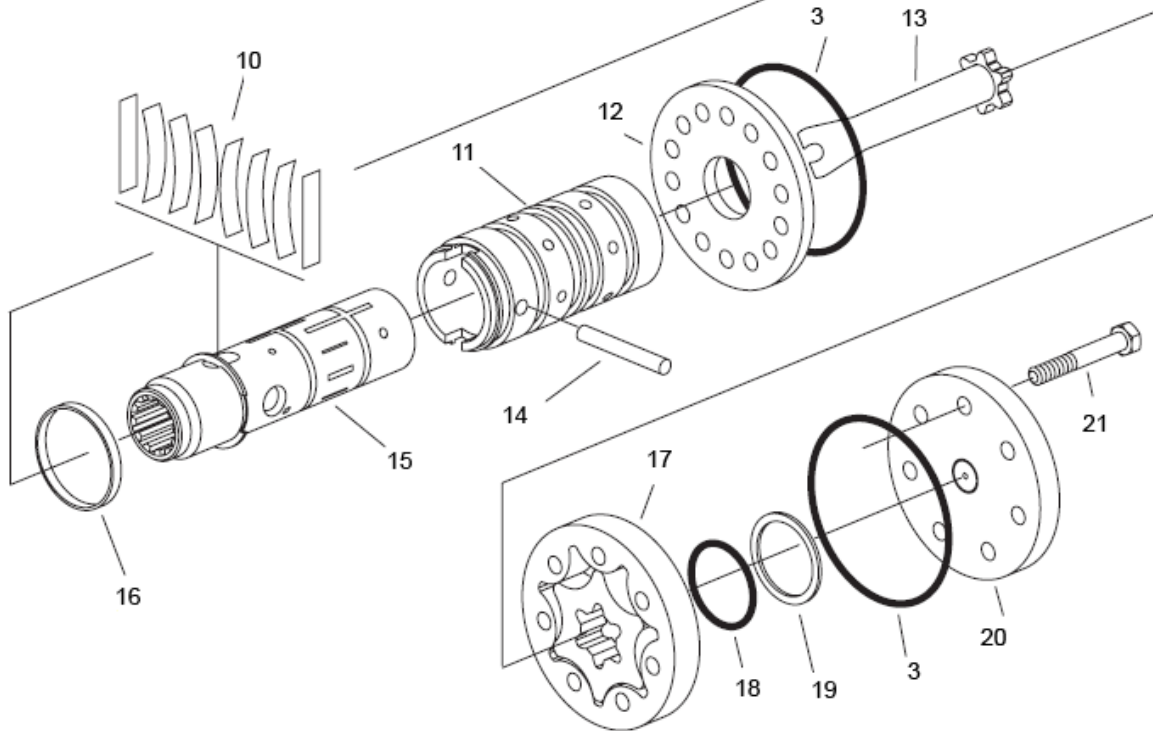
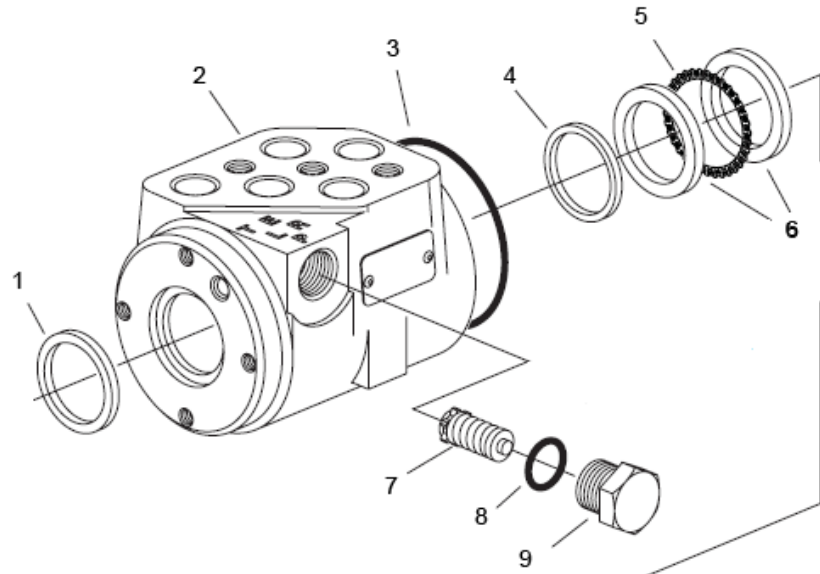
REF#	PART#	DESCRIPTION	QUANTITY
1	10-111	110 Gallon Poly Tank	1
	16-169	Strainer Basket 16"	1
2	10-410	Left Tank Strap	1
	HB-38-16-400	Hex Bolt, $\frac{3}{8}$ - 16 x 4	1
	HB-38-16-100	Hex Bolt, $\frac{3}{8}$ - 16 x 1	1
	HNTL-38-16	Lock Nut, $\frac{3}{8}$ - 16	2
3*	14-532	16" Hinged Lid/Well with Gasket	1
5	16-945	Double Head Fitting	2
6	16-162	Hex Plug 1"	2
7	18-448	1" Ball Valve	1
8	16-851	1" Nipple	1
9	16-961	Aluminum Adapter 1" Female Thread	1
10	16-962	Aluminum Coupler 1" Male Thread	1
11	10-254	Air Gap Filler	1
12	22-528	Right Tank Strap	1
	HB-38-16-400	Hex Bolt, $\frac{3}{8}$ - 16 x 4	1
	HB-38-16-100	Hex Bolt, $\frac{3}{8}$ - 16 x 1	1
	HNTL-38-16	Lock Nut, $\frac{3}{8}$ - 16	2
13*	16-150	Double Threaded Fitting, $\frac{3}{4}$	2
14	10-112	Tank Carrier	1
15	16-155	Elbow, $\frac{3}{4}$ MPT x 1 HB	1
16	16-156	Elbow $1\frac{1}{4}$ MPT x $1\frac{1}{4}$ HB	1
17*	16-194	Anti-Vortex Fitting $1\frac{1}{4}$	1
18	16-998	Hypro® Pump	1
19	18-475	Male Elbow	2
20	9038-30	$\frac{1}{4}$ " Tubing	1
	18-116	Hose Clamp	2
21	10-390	Reducer	1
22	10-639	Lid Stop	1
	HRS-36-100	Rivet, $\frac{3}{16}$ x 1	2
	HW-316	Flat Washer, $\frac{3}{16}$	2
23	18-044	$\frac{1}{8}$ " Street Elbow	1

* Comes with 110 Gallon Poly Tank (only one 16-150 Double Threaded Fitting in bottom of tank)

TURBO-QUAD AGITATOR PARTS LIST

REF#	PART#	DESCRIPTION	QUANTITY
1	18-510	Mini Eductor	4
2	16-288	Reducer, $\frac{3}{4}$ x $1\frac{1}{4}$	4
3	16-158	Close Nipple, $\frac{3}{4}$ x $\frac{3}{4}$	2
4	16-157	Female Pipe Thread Tee, $\frac{3}{4}$ x $\frac{3}{4}$ x $\frac{3}{4}$	3
5	16-172	Nylon Nipple, $\frac{3}{4}$ NPT x $3\frac{1}{2}$	1

15-301 ORBITAL DRAWING



PARTS

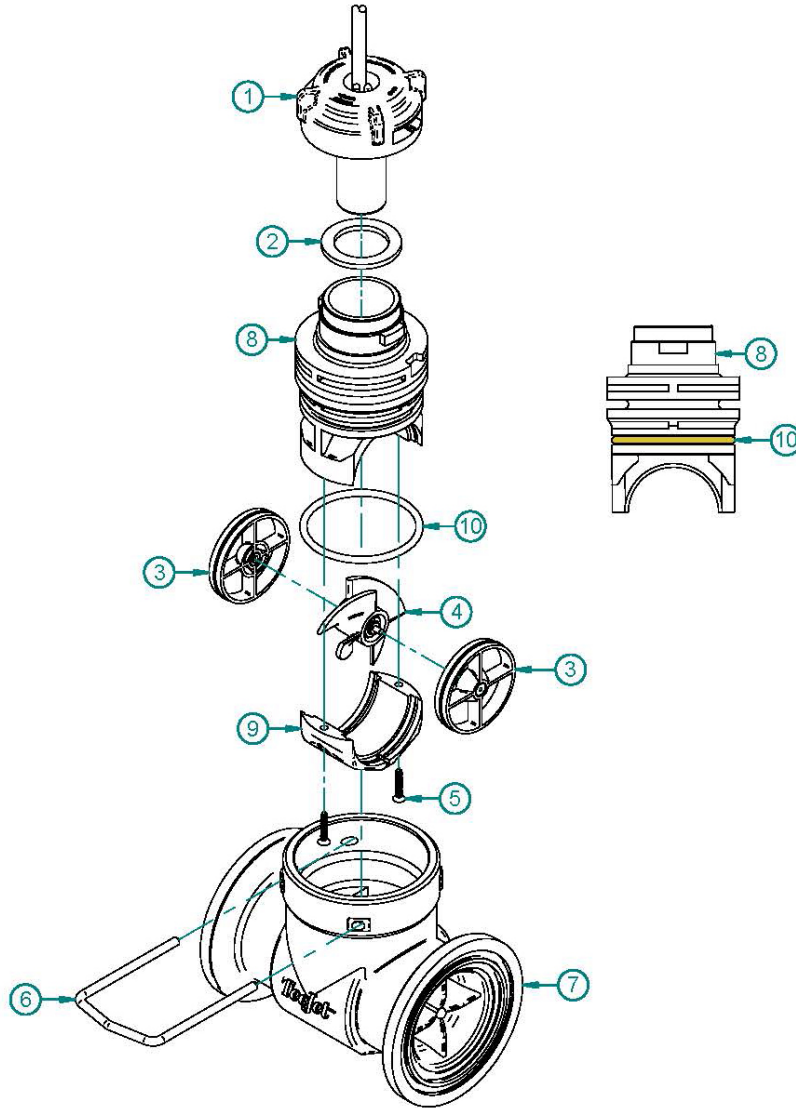
15-301 ORBITAL PARTS LIST

REF #	PART #	DESCRIPTION	QUANTITY
1**		Dust Seal	1
2		Housing	1
3**		O-Ring Seal	3
4**		Quad Seal	1
5	10-576-03	Thrust Bearing	1
6	10-576-02	Bearing Race	2
7		Manual Steering Relief Valve	1
8**		O-ring	1
9		Plug	1
10‡		Standard Torque Centering Springs	1
11		Sleeve	1
12	15-301-06	Wear Plate	1
13	10-576-01	Drive	1
14	15-301-08	Drive Pin	1
15		Spool	1
16‡		Spring Retaining Ring	1
17	10-576-05	Gerotor	1
18**		O-Ring	1
19**		Seal Ring	1
20	15-301-03	End Cap	1
21	10-576-06	Cap Screw	7
**	15-301-01	Seal Kit	1
‡	15-301-15	Centering Spring Kit	1

15-301 ORBITAL SPECIFICATIONS

Inlet Relief Valve Setting 1020 psi (70 bar)
 Nominal Flow 3 gpm (11 lpm)
 Displacement 4.50 cu. in/ R (73.8 cu cm/R)
 Check Valve for Manual Steering Yes
 Inlet Pressure Rating 2030 psi (140 bar)
 Return Pressure Rating 145 psi (10 bar) Maximum
 Fluid SAE 10W-40 API Service SJ or higher Motor Oil
 Ports $\frac{9}{16}$ - 18 SAE O-Ring 4 Ports

20-684-P FLOW METER

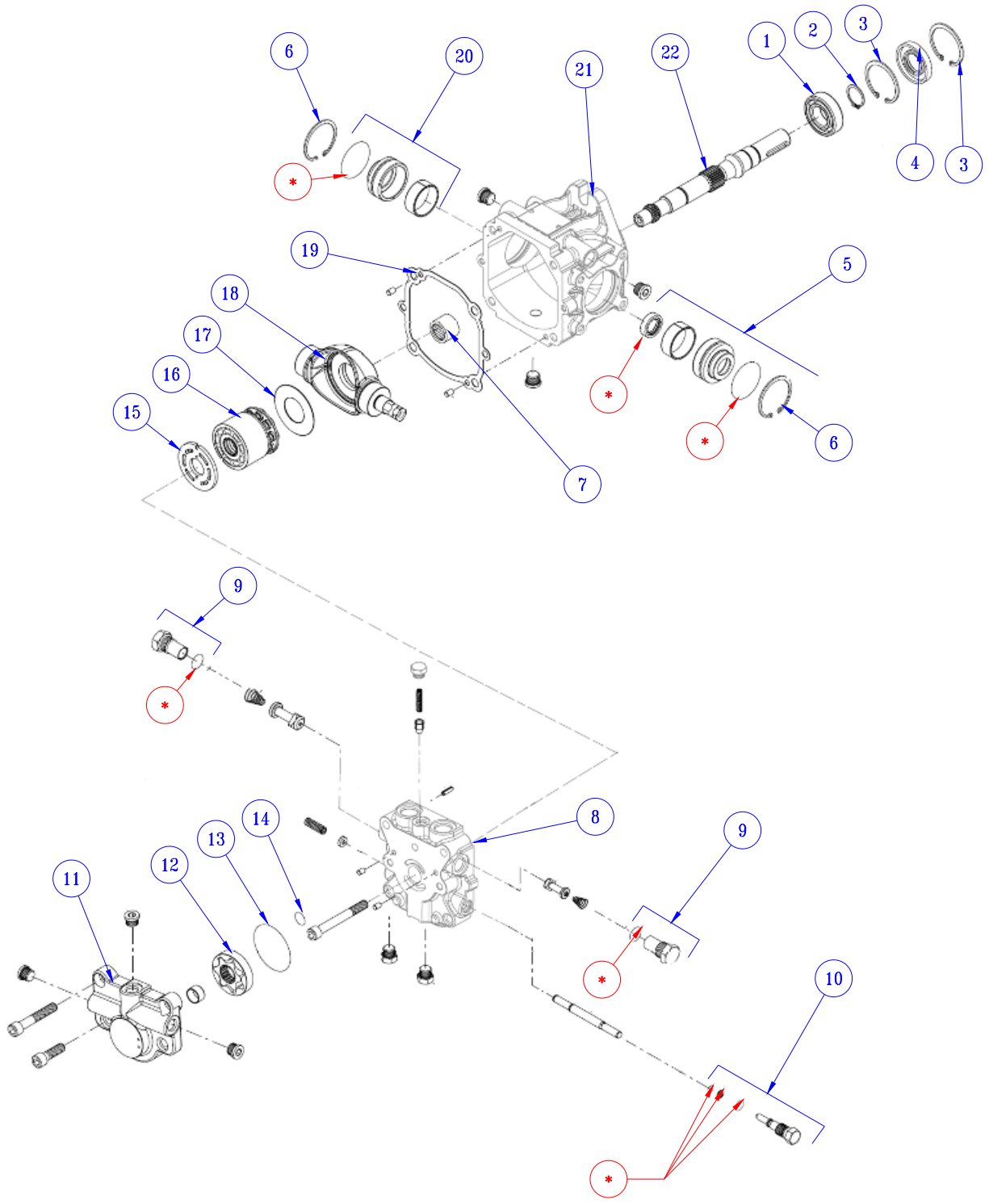


PARTS

REF#	PART#	DESCRIPTION	QUANTITY
1	20-684-01	Sensor, PCB Assembly	1
2		Washer, Seal	1
3*		Guide Vane Bearing	2
4*		Turbine Assembly	1
5*		Flat Head Screw, #6 - 5/8	2
6		Pin, Retaining	1
7	20-684-04	Body	1
8*		Insert, Body	1
9*		Endcap	1
10*	20-684-02	Oring	1
*	20-684-03	802 Flowmeter Repair Kit (includes all * items)	



45-373 DDC20 PISTON PUMP DRAWING

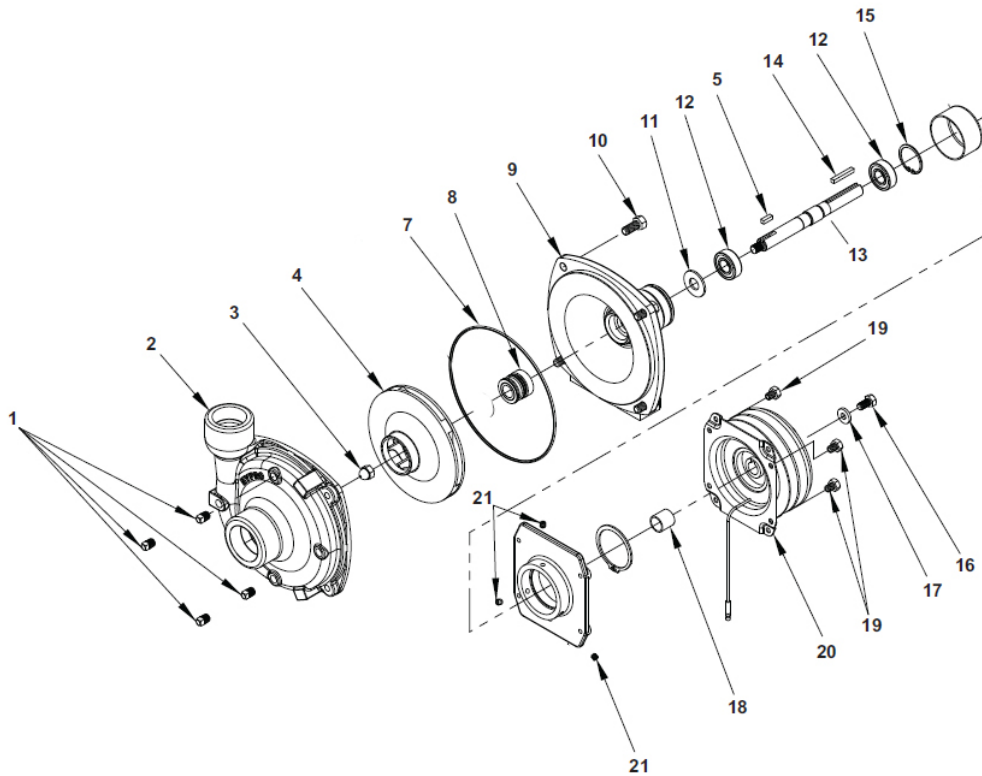


PARTS

45-373 DDC PISTON PUMP PARTS LIST

REF#	PART#	DESCRIPTION	QUANTITY
1	45-373-02	Ball Bearing	1
2	45-373-03	Retaining Ring	1
3	45-373-04	Retaining Ring	2
4*		Lip Seal	1
5	45-373-05	Journal Bearing Carrier Assembly	1
6	45-373-06	Retaining Ring	1
7	45-373-07	Needle Bearing	1
8	45-373-08	End Cap	1
9	45-373-09	Plug Assembly	2
10	45-373-10	By-Pass Valve Assembly	1
11	45-373-11	Charge Pump Housing	1
12	45-373-12	Gerotor Assembly	1
13*		O-ring	1
14*		O-ring	1
15	45-373-13	Valve Plate CCW	1
16	45-373-14	Cylinder Block kit	1
17	45-373-15	Thrust Plate	1
18	45-373-16	Swash Plate, Axial Offset	1
19*		Gasket	1
20	45-373-17	Journal Bearing Carrier Assembly	1
21	45-373-19	Housing	1
22	45-373-18	Pump Shaft	1
*	45-373-01	Overhaul Kit	

16-998 HYPRO PUMP DRAWING

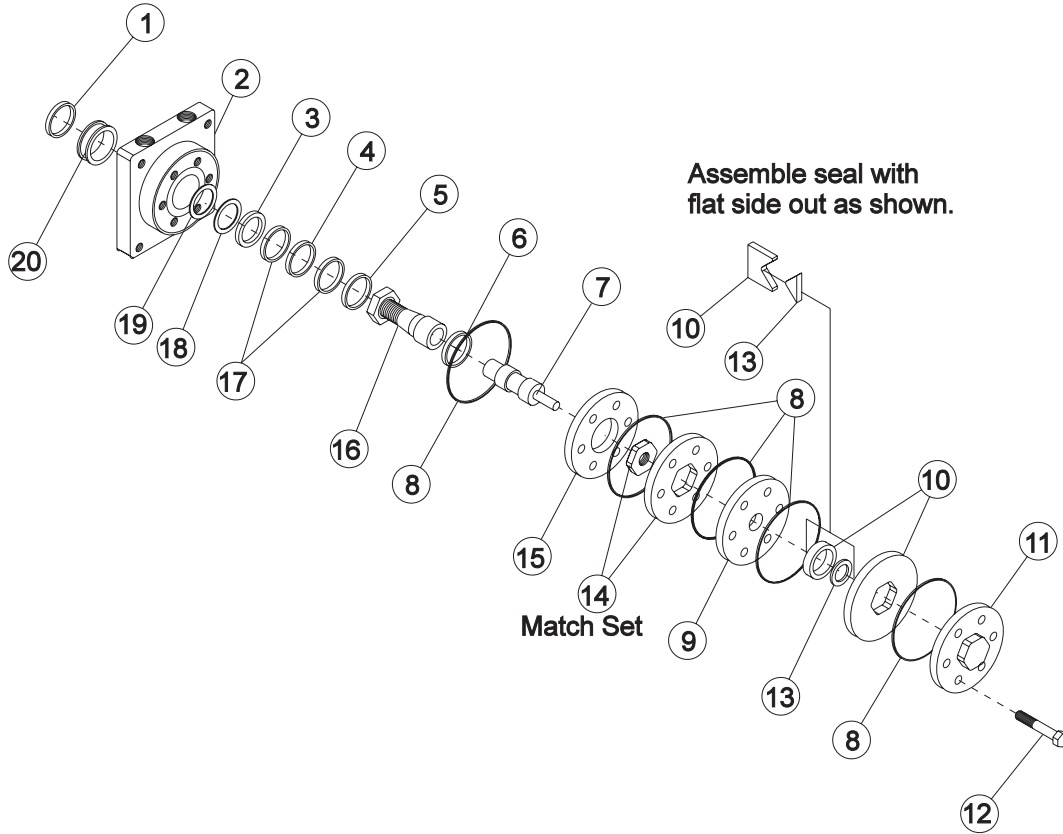


▲ IMPORTANT

When servicing the spray pump or filter, all control valves must be shut off if there is liquid in the tank.

REF#	PART#	DESCRIPTION	QUANTITY
1	16-998-01	Drain Plug	4
2	16-998-02	Pump Casing	1
3	16-998-03	Impeller Nut	1
4	16-966-16	Impeller	1
5	16-966-11	Key	1
7*	16-998-04	O-Ring	1
8*	16-967	Mechanical Seal (Silicon Carbide)	1
9	16-998-06	Mounting Flange	1
10	16-998-07	Bolt	
11	16-966-06	Slinger Ring	1
12	16-966-10	Ball Bearing	2
13	16-966-12	Pump Shaft	1
14	16-822-20	Key	1
15	16-966-13	Bearing Retainer	1
16	16-994-05	Bolt	1
17	16-994-06	Retaining Washer	1
18	16-994-03	Spacer	1
19		Bolt	4
20	16-994-01	Clutch	1
21	16-994-04	Set Screw	3
	16-998-12	Pump Only	
*	16-967	Silicone - Carbon Seal Kit	

10-510 WHEEL MOTOR DRAWING



REF#	PART#	DESCRIPTION	QUANTITY
1*	13-032-39	Water & Dirt Seal	1
2	13-615-05	Service Housing Assembly (Includes Ref 4, 5, 17(2 req'd) and 20)	1
3*		Inner Seal	1
4	13-032-27	Thrust Bearing	1
5	13-032-28	Inner Bearing	1
6	13-032-29	Thrust Bearing	1
7	10-510-01	Drive Link	1
8*		Ring Seal	5
9	13-032-31	Manifold	1
10	13-032-32	Commutator Assembly (matched set)	1
11	13-032-33	End Cover	1
12	10-510-02	Special Bolt	7
13*		Commutator Seal (matches with #10)	1
14	10-510-03	Rotor Set (matched set)	1
15	10-510-04	Wear Plate	1
16	13-615-04	Coupling Shaft	1
	HWK-516-100	Woodruff Key $\frac{5}{16} \times 1$	1
	14-265	Nut 1 - 20	1
17	13-032-37	Thrust Washer	2
18*		Backup Washer	1
19*		Backup Ring	1
20	13-032-38	Outer Bearing	1
*	14-080	Seal Kit	1

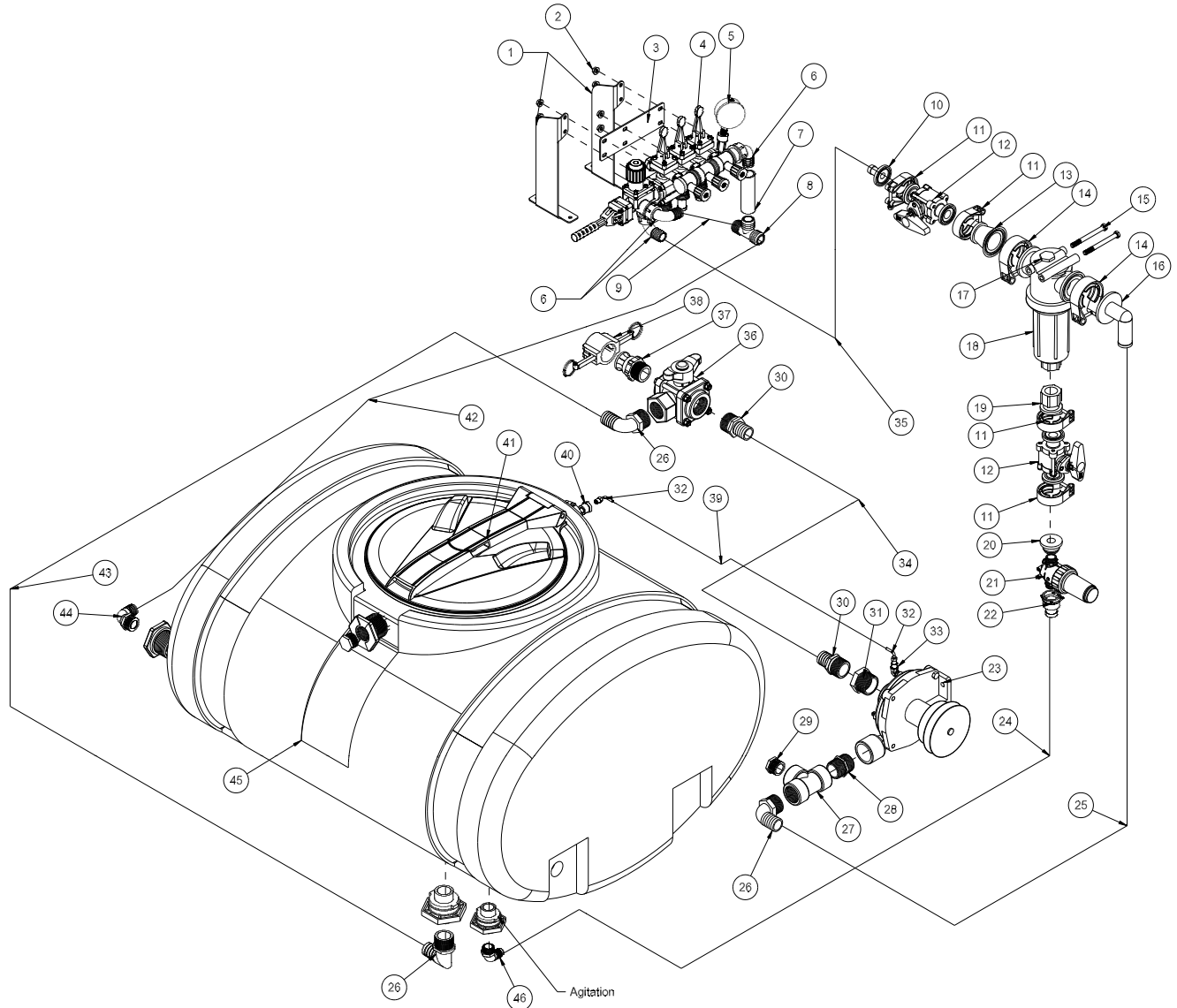
Parts

1101 PLUMBING DRAWING (3-WAY MANUAL)

15-817 O-ring for 50 Series Clamp

15-818 O-ring for 75 Series Clamp

BOOM	LEFT HOSE	CENTER HOSE	RIGHT HOSE
15' OR 18'	9032-108	9032-72	9032-118



Accessories

REF#	PART#	DESCRIPTION	QUANTITY
1	10-646	Ball Valve Mount	2
2	HB-516-18-075	Hex Bolt, $\frac{5}{16}$ - 18 x $\frac{3}{4}$	6
	HNFL-516-18	Flange-Loc Nut, $\frac{5}{16}$ - 18	6
3	10-647	Mount Plate	1
4	10-648	Manual Valve 3-Way	1
	9032-90	Center Black Hose $\frac{3}{4}$ " x 90"	1
	9032-100	Left Black Hose, $\frac{3}{4}$ " x 100"	1
	9032-160	Right Black Hose, $\frac{3}{4}$ " x 160"	1
	18-040	Hose Clamp, HS-12	3
5	16-281	Liquid Filled Gauge	1
6	10-268-13	90° Elbow (comes with 10-268)	3
7	8896-4	Discharge Hose 1"	1
	18-222	Hose Clamp	2

1101 PLUMBING PARTS LIST (3-WAY MANUAL)

REF#	PART#	DESCRIPTION	QUANTITY
8	10-269	Plastic Tee	1
9	8896-12	Discharge Hose 1" x 12"	1
	18-222	Hose Clamp	2
10	15-808	Hose Barb Flange	1
11	15-740	50 Series Clamp	4
12	15-738	Flanged Ball Valve	2
13	15-748	Reducer Coupling	1
14	15-741	75 Series Clamp	2
15	HB-38-16-550	Hex Bolt, $\frac{3}{8}$ " - 16 x $5\frac{1}{2}$ "	2
	HNFL-38-16	Flange Whiz-Loc nut, $\frac{3}{8}$ " - 16	2
16	15-739	75 Series 90° x $1\frac{1}{4}$ " Hose Barb	1
17	15-780	$\frac{1}{4}$ " Poly Plug	1
18	15-737	Flanged Strainer	1
19	15-735	50 Series x 1 FPT	1
20	15-825	50 Series Male Quick Coupler	1
21	14-801	Agitator Line Strainer, 50 Mesh	1
	14-802	Replacement 50 Mesh Screen	
22	15-869	1" Hose Barb Outlet	1
	15-553-01	Clip	1
	15-553-02	O-ring	1
23	16-998	Hypro® Pump	1
24	8896-38	Discharge Hose 1" x 38"	1
	18-040	Hose Clamp	2
25	8897-50	Discharge Hose $1\frac{1}{4}$ " x 50"	1
	18-116	Hose Clamp, HS-24	2
26	16-156	Elbow $1\frac{1}{4}$ " MPT x $1\frac{1}{4}$ " HB	3
27	10-390	Reducer	1
28	16-880	Close Nipple	1
29	10-389	Plug $1\frac{1}{4}$ "	1
30	16-161	Fitting $1\frac{1}{4}$ " MPT x $1\frac{1}{4}$ " HB	2
31	16-825	Stainless Steel Reducer Bushing $1\frac{1}{2}$ " x $1\frac{1}{4}$ "	1
32	18-475	Male Elbow	2
33	18-044	Street Elbow	1
34	8897-52	Discharge Hose $1\frac{1}{4}$ " x 52"	1
	18-040	Hose Clamp, HS-12	2
35	8896-40	Discharge Hose 1" x 40"	1
	18-040	Hose Clamp	2
36	18-372	3-Way Valve	1
	18-372-01	T-handle	1
37	16-180	Quick Coupler $1\frac{1}{4}$ " Male	1
38	16-935	Quick Coupler $1\frac{1}{4}$ " Cap	1
39	9038-30	$\frac{1}{4}$ " Tubing x 30"	1
	18-186	Hose Clamp	2
40	10-390	Reducer	1
41	14-532	16" Hinged Lid/Well with Gasket	1
	16-953-01	Gasket	1
42	8896-48	Discharge Hose 1" x 48"	1
	18-222	Hose Clamp	2
43	8897-38	Discharge Hose $1\frac{1}{4}$ " x 38"	1
	18-040	Hose Clamp, HS-12	2
44	16-164	Elbow 1" MPT x 1" HB	1
45	10-111	110 Gallon Poly Tank	1
	16-169	Strainer Basket 16"	1
46	16-155	Elbow $\frac{3}{4}$ " MPT x 1" HB	1

1104 PLUMBING DRAWING (TEEJET® 744)

15-817 O-ring for 50 Series Clamp

15-818 O-ring for 75 Series Clamp

BOOM

LEFT HOSE

CENTER HOSE

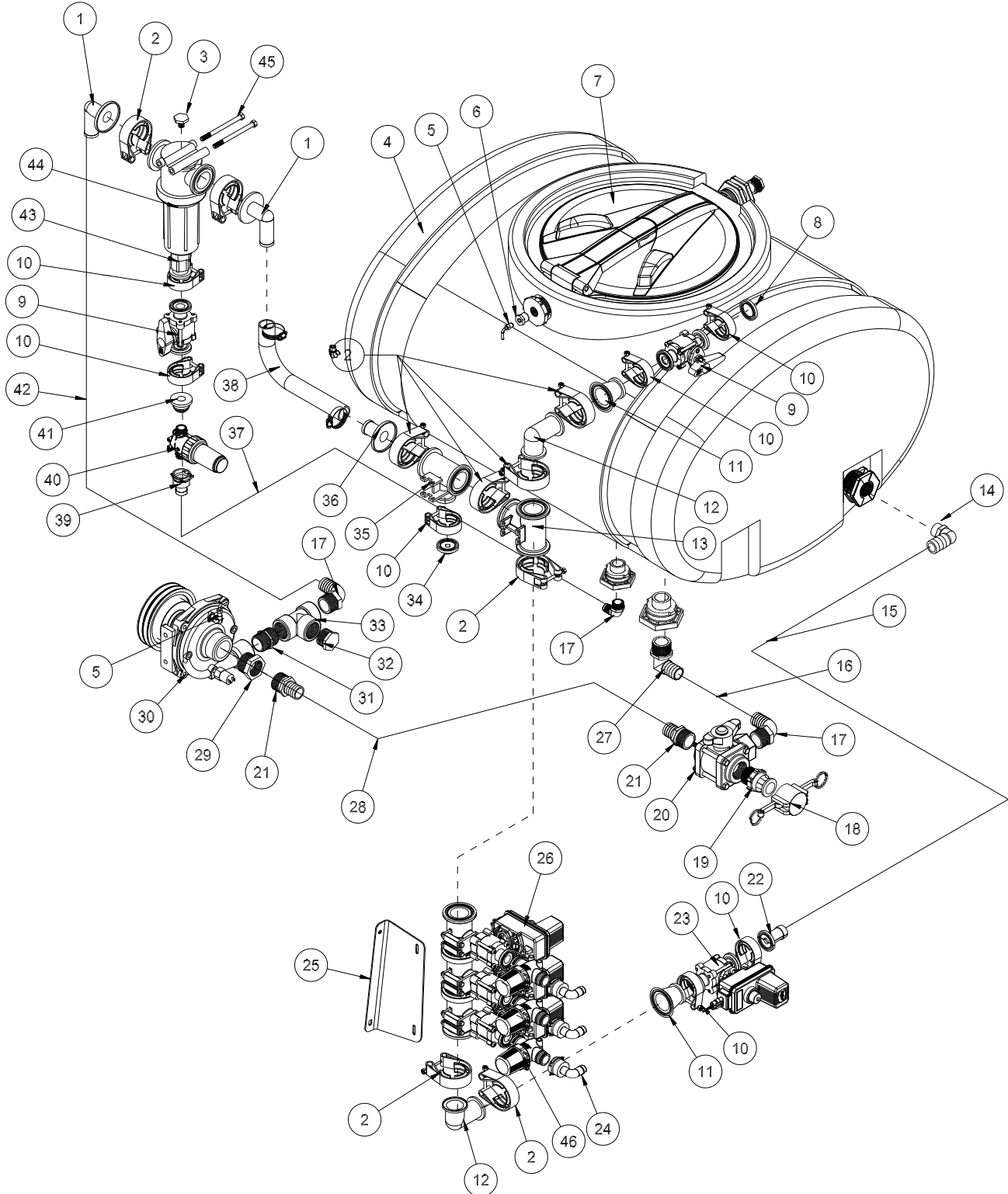
RIGHT HOSE

15' OR 18'

9032-108

9032-72

9032-118



Accessories

1104 PLUMBING PARTS LIST (TEEJET® 744)

REF#	PART#	DESCRIPTION	QUANTITY
1	15-739	75 Series 90° x 1 1/4 Hose Barb	2
2	15-741	75 Series Clamp	9
3	15-780	1/4 Poly Plug	1
4	10-111	110 Gallon Poly Tank	1
	16-169	Strainer Basket 16"	1
5	18-475	Male Elbow	2
6	10-390	Reducer	1
7	14-532	16" Hinged Lid/Well with Gasket	1
	16-953-01	Gasket	1
8	15-778	Blank Gauge Port Flange	1
9	15-738	Flanged Ball Valve	2
10	15-740	50 Series Clamp	7
11	15-748	Reducer Coupling	2
12	15-734	75 Series Elbow Coupling	2
13	10-574	Tee	1
14	15-779	Hose Barb	1
15	8897-18	Discharge Hose 1 1/4" x 18"	1
	18-116	Hose Clamp, HS-24	2
16	8897-38	Discharge Hose 1 1/4" x 38"	1
	18-116	Hose Clamp, HS-24	2
17	16-156	Elbow 1 1/4 MPT x 1 1/4 HB	3
18	16-935	Quick Coupler 1 1/4 Cap	1
19	16-180	Quick Coupler 1 1/4 Male	1
20	18-372	3-Way Valve	1
	18-372-01	T-Handle	1
21	16-161	Fitting 1 1/4 MPT x 1 1/4 HB	2
22	15-870	Hose Barb	1
23	20-817	Regulator Valve	1
24	15-743	Manifold Valve	1
25	10-480	Valve Mount	1
26	15-553	3/4 -90° Hose Barb	3
	15-553-01	Clip	3
	15-553-02	O-Ring	3
27	16-155	Elbow 3/4" MPT x 1" HB	1
28	8897-15	Discharge Hose 1 3/4" x 15"	1
	18-116	Hose Clamp, HS-24	2
29	16-825	Stainless Steel Reducer Bushing 1 1/2 x 1 3/4	1
30	16-998	Hypro® Pump	1
31	16-880	Close Nipple	1
32	10-389	Plug 1 3/4	1
33	18-390	Pipe Tee 1 3/4	1
34	15-777	Gauge Port Flange	1
35	15-775	Reducer Tee	1
36	15-744	75 Series 1 3/4 Hose Barb	1
37	8896-38	Discharge Hose 1" x 38"	1
	18-222	Hose Clamp, 1 3/16 to 1 1/2	2
38	8897-33	Discharge Hose 1 1/4" x 33"	1
	18-116	Hose Clamp, HS-24	2
39	15-869	1" Hose Barb Outlet	1
	15-553-01	Clip	1
	15-553-02	O-ring	1
40	14-801	Agitator Line Strainer, 50 Mesh	1
	14-802	Replacement 50 Mesh Screen	
41	15-825	50 Series Male Quick Coupler	1
42	8897-51	Discharge Hose 1 3/4" x 51"	1
	18-116	Hose Clamp, HS-24	2
43	15-735	50 Series 1" FPT	1
44	15-737	Flanged Strainer	1
45	HB-38-16-550	Hex Bolt, 3/8 -16 x 5 1/2	2
	HNFL-38-16	Flange Whiz-loc Nut, 3/8- 16	2
46	14-607	Strainer, QC 100 Mesh	3

1102 PLUMBING DRAWING (TEEJET® RADION 8140)

15-817

O-ring for 50 Series Clamp

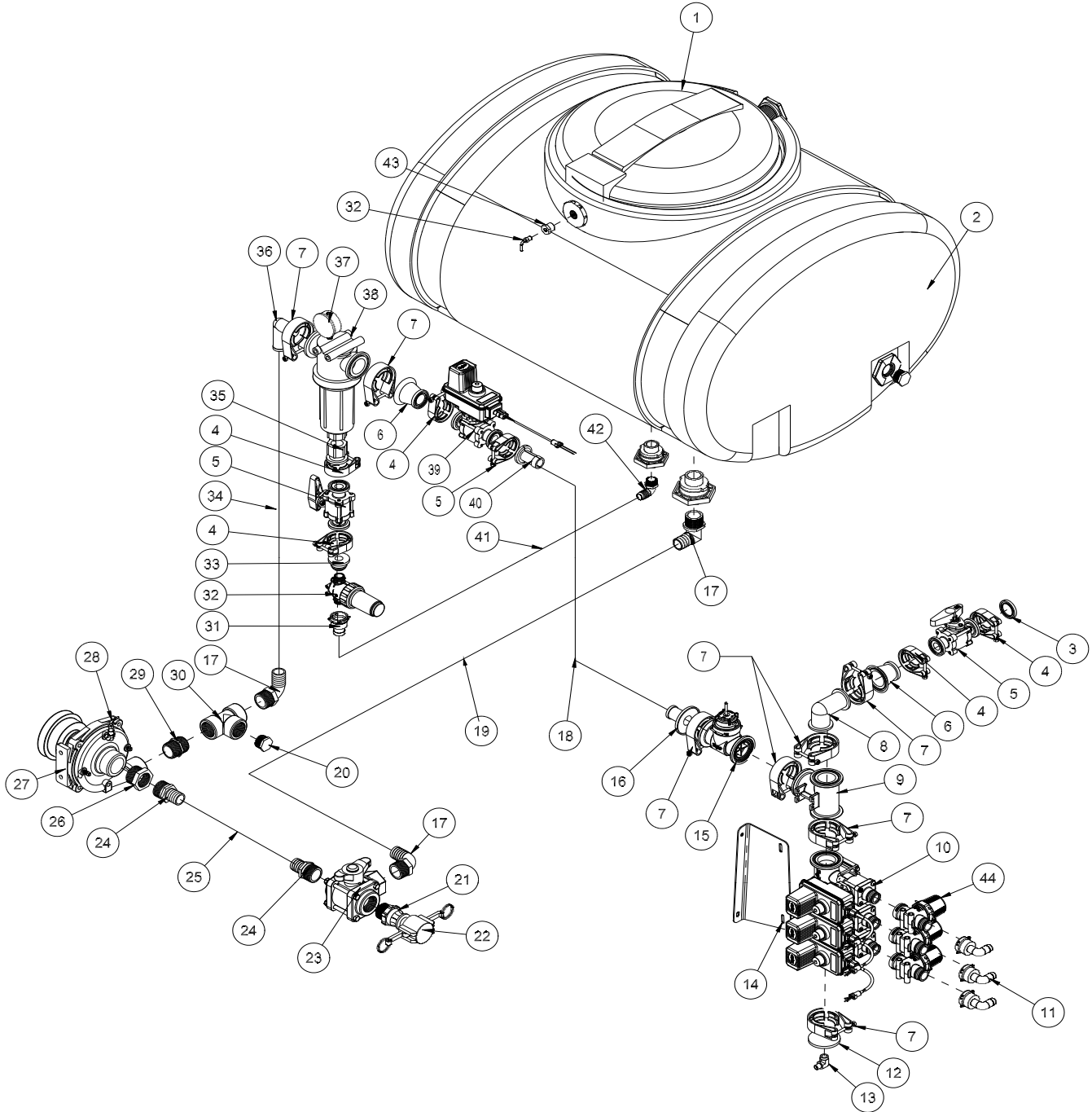
15-818 O-ring for 75 Series Clamp

BOOM
15' OR 18'

LEFT HOSE
9032-108

CENTER HOSE
9032-72

RIGHT HOSE
9032-118



Accessories

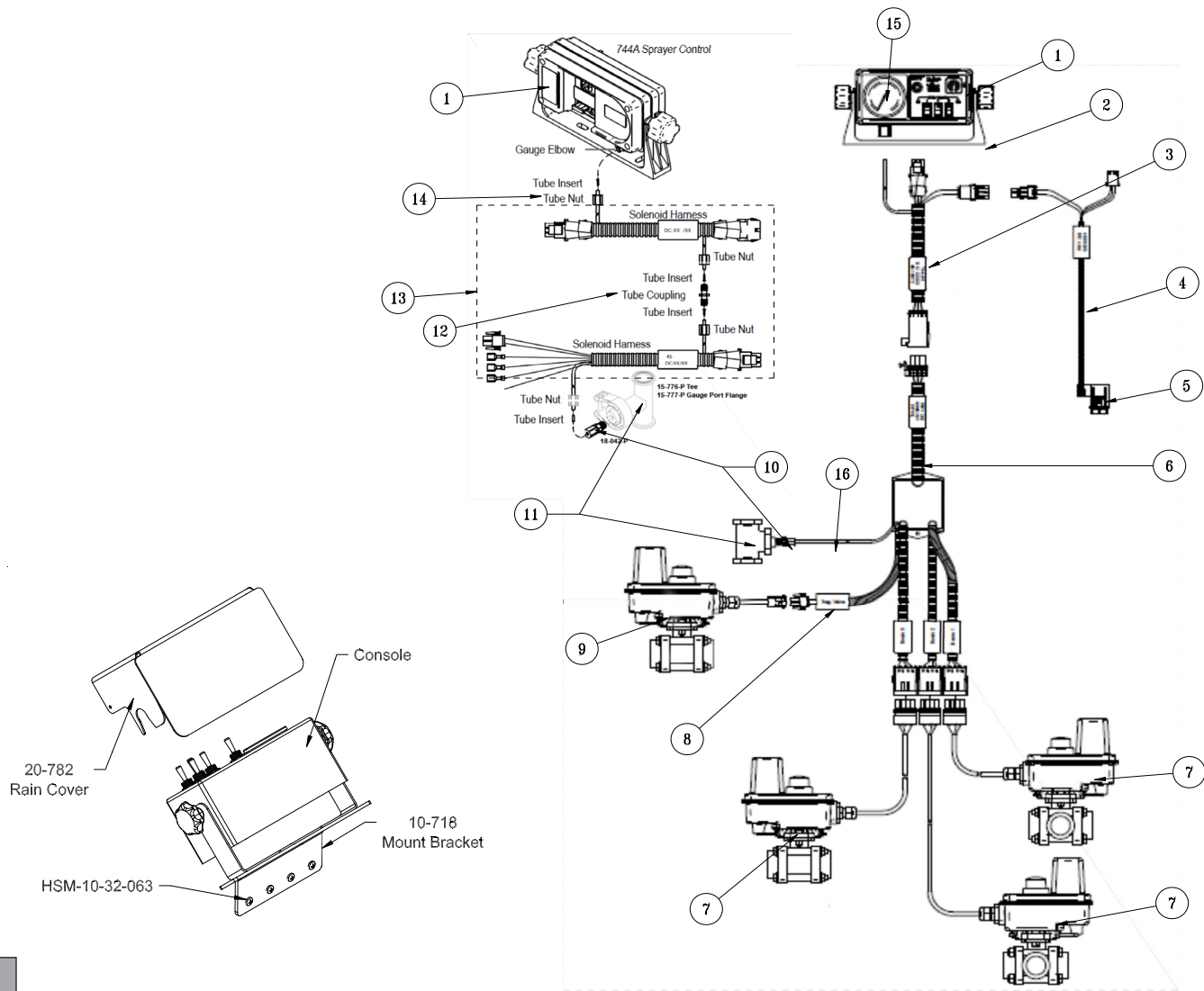
IMPORTANT

If using Simulated Speed with a Radion 8140, one needs to change back to Ground Speed for proper rate control when spraying.

1102 PLUMBING PARTS LIST (TEEJET® RADION 8140)

REF#	PART#	DESCRIPTION	QUANTITY
1	14-532	16" Hinged Lid/Well with Gasket	1
	16-953-01	Gasket	1
2	10-111	110 Gallon Poly Tank (includes † items)	1
	16-169	Strainer Basket 16"	1
3	15-778	Blank Gauge Port Flange	1
4	15-740	50 Series Clamp	8
5	15-738	Flanged Ball Valve	2
6	15-748	Reducer Coupling	2
7	15-741	75 Series Clamp	6
8	15-734	75 Series Elbow Coupling	1
9	10-574	Tee	1
10	15-743	Manifold Valve	1
11	15-553	3/4-90° Hose Barb	3
	15-553-01	Clip	3
	15-553-02	O-Ring	3
12	15-882	75 Series Gauge Port	1
13	18-007	Street Elbow	1
14	10-480	Valve Mount	1
15	20-684	#802 Flow Meter	1
16	15-744	75 Series 1 1/4" Hose Barb	1
17	16-156	Elbow 1 1/4" MPT x 1 1/4" HB	1
18	8897-23	Discharge Hose 1 1/4" x 23"	1
	18-116	Hose Clamp, HS-24	2
19	8897-19	Discharge Hose 1 1/4" x 19"	1
	18-040	Hose Clamp, HS-12	2
20	10-389	Plug 1 1/4"	1
21	16-180	Quick Coupler 1 1/4" Male	1
22	16-935	Quick Coupler 1 1/4" Cap	1
23	18-372	3-Way Valve	1
	18-372-01	T-handle	1
24	16-161	Fitting 1 1/4" MPT x 1 1/4" HB	2
25	8897-15	Discharge Hose 1 1/4" x 15"	
	18-040	Hose Clamp, HS-12	2
26	16-825	Stainless Steel Reducer Bushing 1 1/2" x 1 1/4"	1
27	16-998	Hypro® Pump	1
28	18-475	Male Elbow	2
	9038-30	1/4" Tubing	1
	18-116	Hose Clamp, HS-24	2
29	16-880	Close Nipple	1
30	18-390	Pipe Tee 1 1/4"	1
31	15-869	1" Hose Barb Outlet	1
	15-553-01	Clip	1
	15-553-02	O-ring	1
32	14-801	Agitator Line Strainer, 50 Mesh	1
	14-802	Replacement 50 Mesh Screen	
33	15-825	50 Series Male Quick Coupler	1
34	8897-50	Discharge Hose 1 1/4" x 50"	1
	18-116	Hose Clamp, HS-24	2
35	15-735	50 Series 1" FPT	1
36	15-739	75 Series 90° x 1 1/4" Hose Barb	1
37	16-281	Liquid Filled Gauge	1
38	15-737	Flanged Strainer	1
	16-968-05	Screen (80 mesh)	1
39	20-785	Regulator Valve	1
40	15-870	50 Series 1 1/4" Hose Barb	1
41	8896-38	Discharge Hose 1" x 40"	1
	18-222	Hose Clamp, 1 3/16" to 1 1/2"	2
42	16-155	Elbow, 3/4" MPT x 1" Hose Barb	1
43	10-390	Reducer	1
44	14-607	Strainer, QC 100 Mesh	3

1104 SYSTEM WIRING (TEEJET® 744)

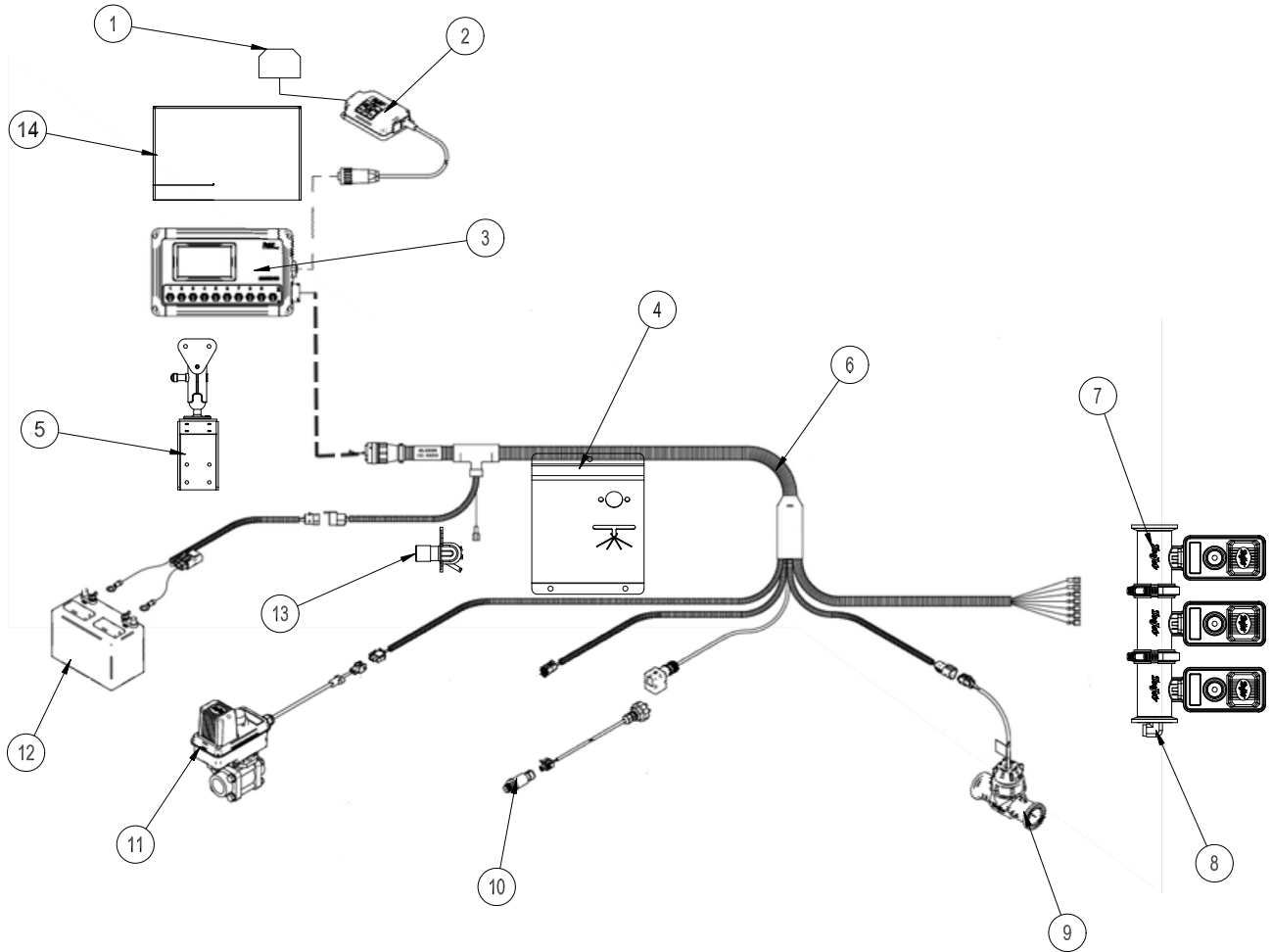


REF#	PART#	DESCRIPTION	QUANTITY
1*	20-688-02	744 Console	1
	20-688-01	200PSI Gauge	1
	20-688-07	Circuit Board	1
	20-688-08	Gauge Elbow	1
2	10-718	Mount Bracket	1
3*		Console harness	1
4*		Fused Power Cable	1
5	33-271	Fuse Block	1
6*		Ball Valve Wire Harness	1
7	15-743	Manifold Ball Valve	1
8*		Regulator Valve Adapter	1
9	20-817	Regulating Valve	1
10	18-042	Reducer Bushing	1
11	15-775	Tee, 50 Series	1
	15-777	Gauge Port Flange	1
12*	20-688-05	Tube Coupling	1
13*		Tube Nut Kit	1
14*	20-688-06	Tube Nut	1
15*	20-688-01	PSI Liquid Gauge	1
16*	20-688-04	Tubing	1

* 20-688 744 Kit Complete (includes * items)

Accessories

1102 SYSTEM WIRING (TEEJET® RADION)



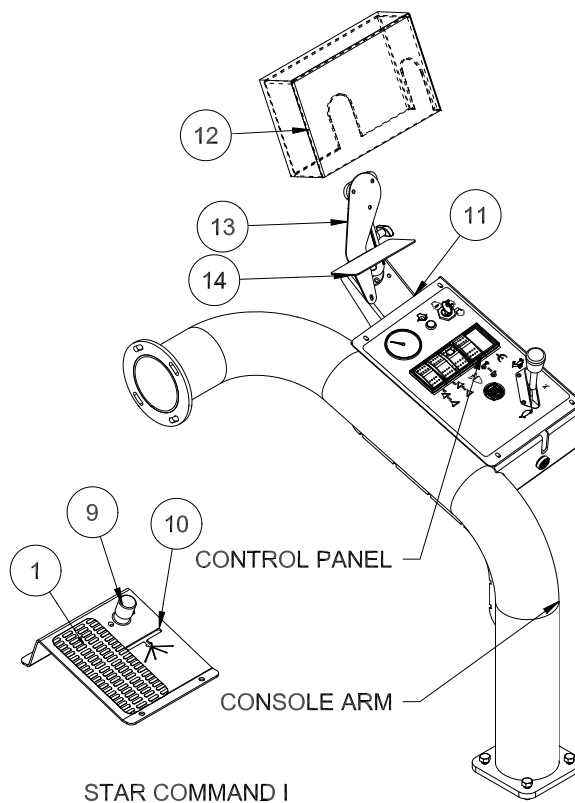
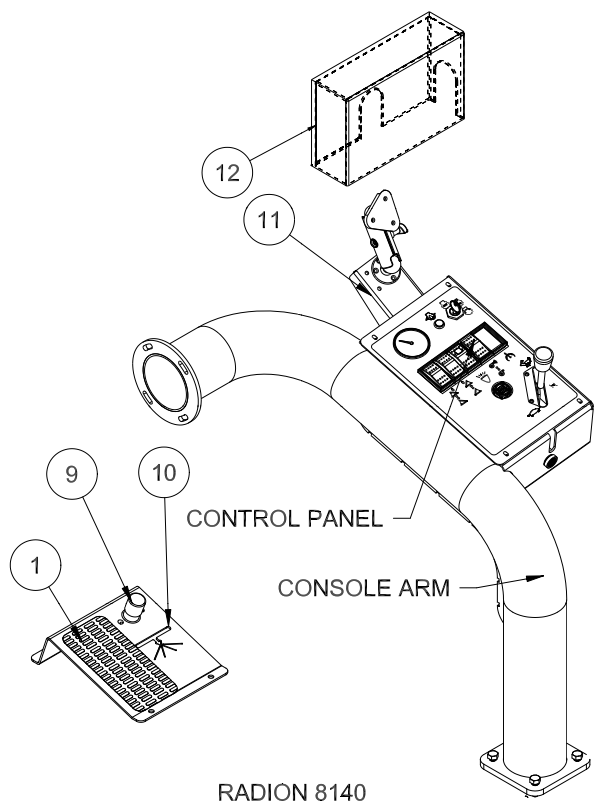
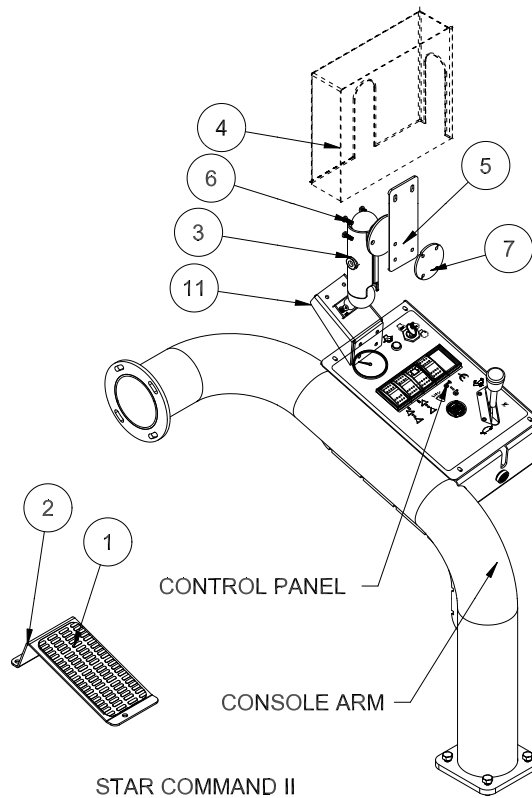
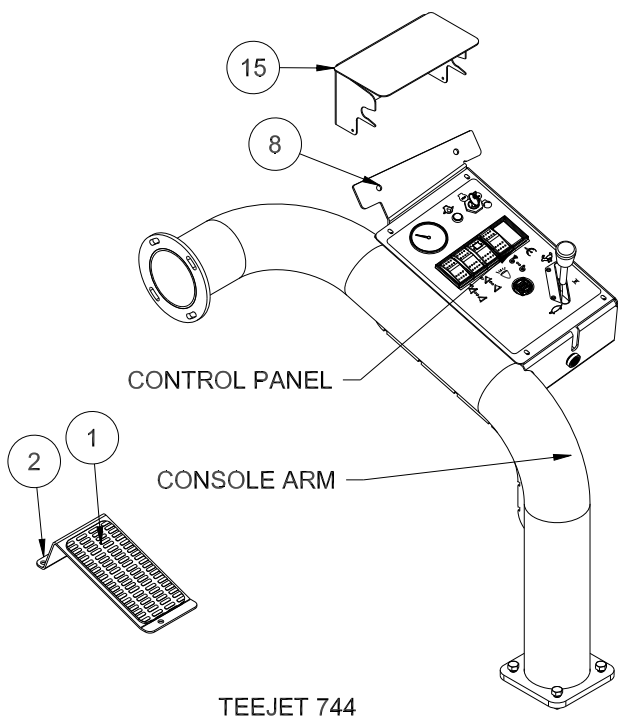
▲ IMPORTANT

If using Simulated Speed with a Radion 8140, one needs to change back to Ground Speed for proper rate control when spraying.

REF#	PART#	DESCRIPTION	QUANTITY
1*		Antenna	1
2*	20-687-02	GPS Speed Sensor	1
3*	20-697-01	Radion 8140 Console	1
4	10-705	Foot Plate	1
5	10-721	Mount Bracket	1
6*		Wire Harness	1
7	15-743	Manifold Valve	1
8	18-007	Elbow	1
9	20-684	Flow Meter	1
10*	20-670-04	Pressure Sensor	1
11	20-785	Regulator Valve	1
12	33-216	Battery	1
13	33-509	Master Boom Control	1
14	20-781	Plastic Radion Cover	1
*	20-697	TeeJet® Radion Kit (includes * items)	1

Use Dielectric Grease On All Electrical Connections

CONTROL MOUNTS



CONTROL MOUNTS

REF#	PART#	DESCRIPTION	QUANTITY
1	45-132	Foot Rest Grip	1
2	45-047	Foot Rest	1
3		Star Command II RAM Mount	1
4	20-836	Star Command II Cover	1
5	32-691	Control Mount Spacer	1
6	32-690	Aeros Control Mount	1
7	HSM-10-32-075	Machine Screw, 10-32 x ³ / ₄	6
8	10-718	744 Control Mount	1
9	33-509	Master Boom Switch	1
10	10-705	Switch Foot Plate	1
11	10-721	Short Ram Mount	1
12	20-781	Cover for Radion Control	1
13	10-719	Star Command I Control Mount	1
14	10-716	DynaJet Control Cover	1
15	10-782	744 Cover	1

1105/1108/1115/1118 DRAWING

15-817 O-ring for 50 Series Clamp

15-818 O-ring for 75 Series Clamp

BOOM

LEFT HOSE

CENTER HOSE

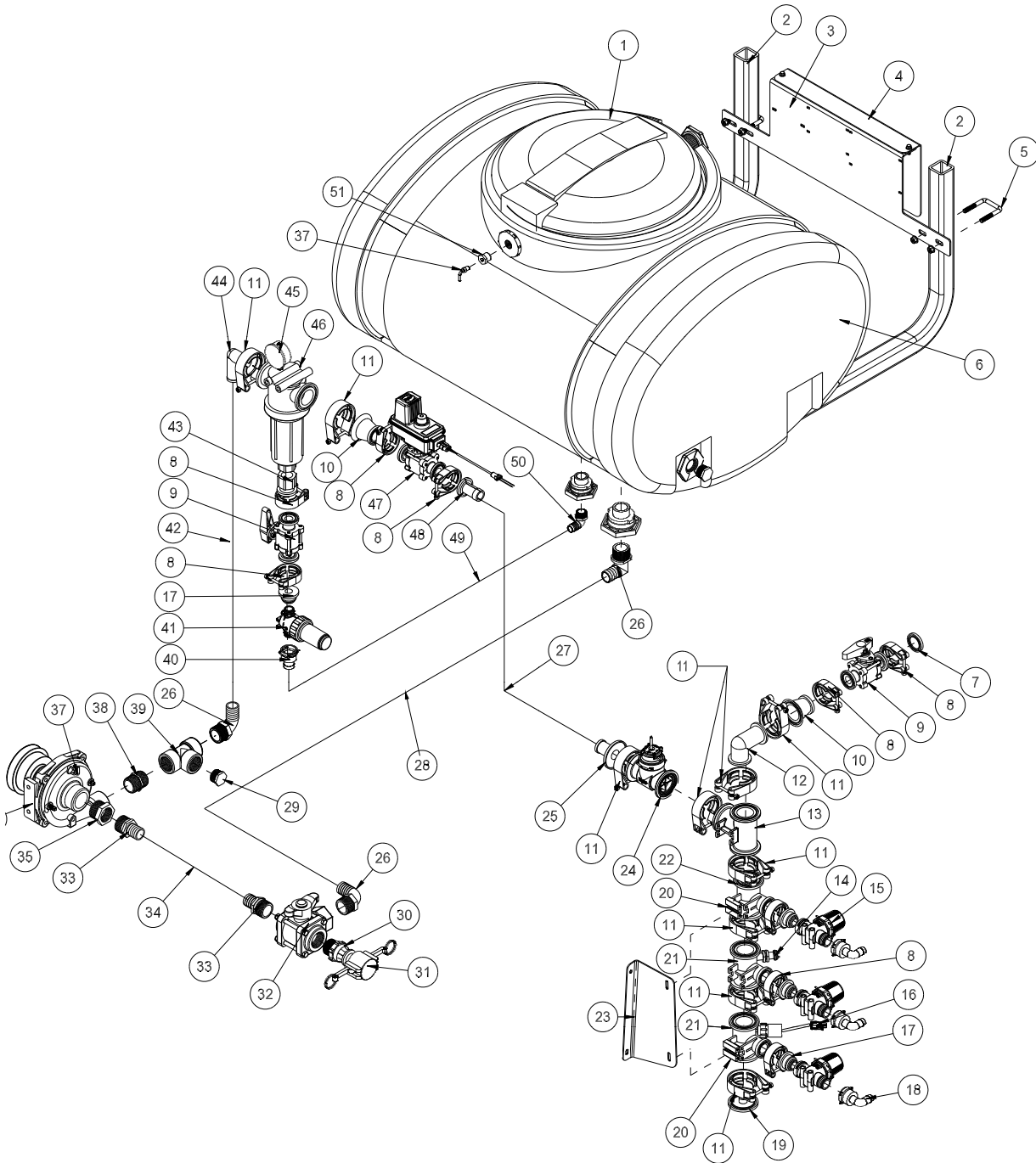
RIGHT HOSE

15' OR 18'

9032-108

9032-72

9032-118



Accessories

1105/1108/1115/1118 PARTS LIST

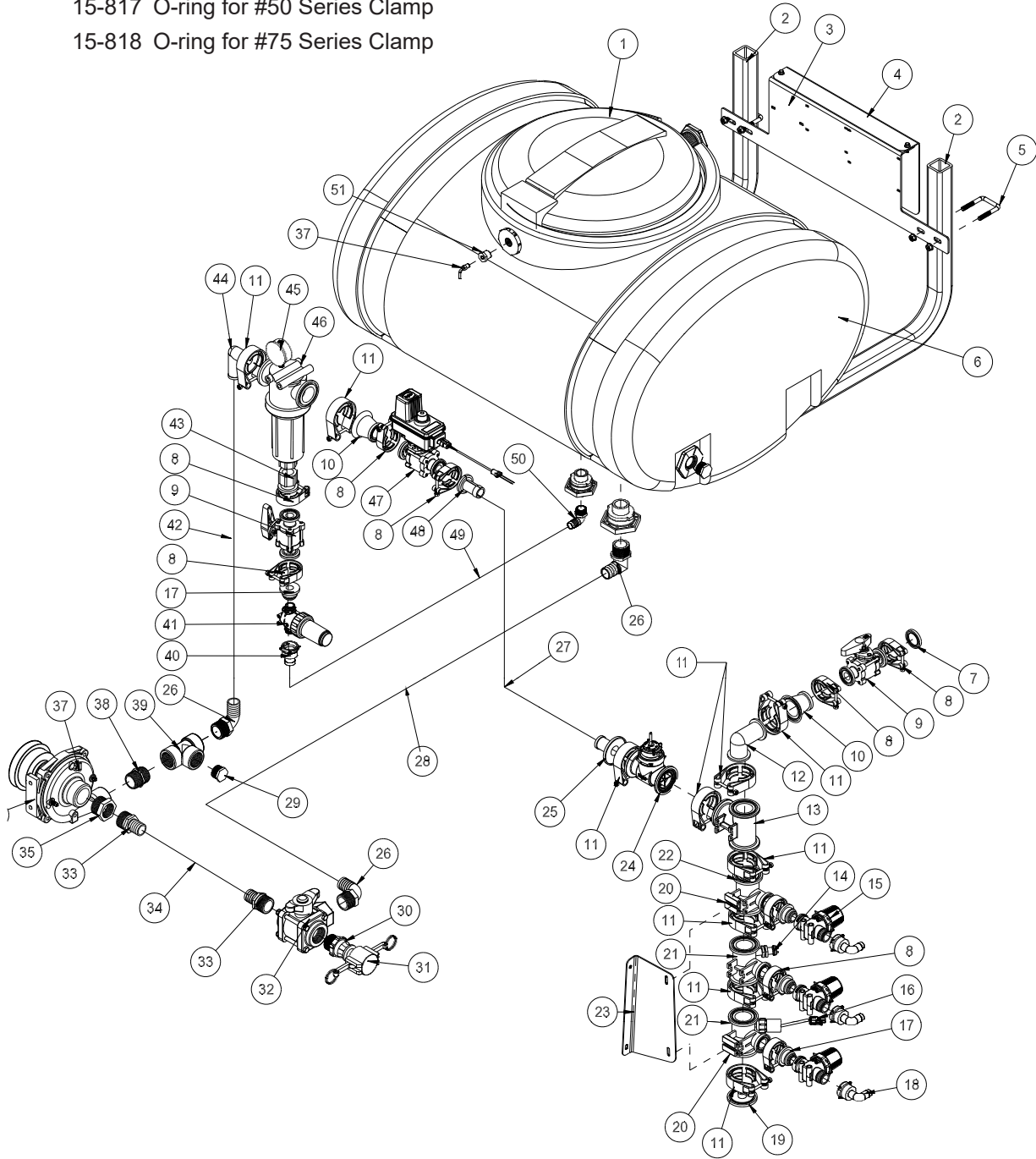
REF#	PART#	DESCRIPTION	QUANTITY
1	14-532	16" Hinged Lid/Well with Gasket	1
	16-953-01	Gasket	1
2	17-615	Boom Mounts	2
3	10-625	Module Mount Bracket	1
4	20-666	Module Cover Bracket	1
5	17-537	Square U-Bolt	2
	HNTL-38-16	Lock Nut, 3/8- 16	4
6	10-111	110 Gallon Poly Tank	1
	16-169	Strainer Basket 16"	1
7	15-778	Blank Gauge Port Flange	1
8	15-740	50 Series Clamp	9
9	15-738	Flanged Ball Valve	2
10	15-748	Reducer Coupling	2
11	15-741	75 Series Clamp	10
12	15-734	75 Series Elbow Coupling	1
13	10-574	Tee	1
14	20-670-04	Pressure Sensor	1
15	14-607	Strainer 100 Mesh	3
	14-609	Replacement Filter 100 mesh	
16		Pressure Transducer	1
17	15-825	QC Flange Adapter	4
18	15-553	3/4-90° Hose Barb	3
	15-553-01	Clip	3
	15-553-02	O-Ring	3
19	15-742	75 Series Inlet Cover	1
20	15-743-03	Alum Mount Rail	2
	15-743-06	SS Screws	8
21	30-164	Tapped Reducer Tee	2
22	15-775	Reducer Tee	1
23	10-480	Valve Mount	1
24	20-684	#802 Flow Meter	1
25	15-744	75 Series 1 1/4 Hose Barb	1
26	16-156	Elbow 1 1/4 MPT x 1 1/4 HB	3
27	8897-23	Discharge Hose 1 1/4" x 23"	1
	18-116	Hose Clamp, HS-24	2
28	8897-19	Discharge Hose 1 1/4" x 19"	1
	18-040	Hose Clamp, HS-12	2
29	10-389	Plug 1 1/4	1
30	16-180	Quick Coupler 1 1/4 Male	1
31	16-935	Quick Coupler 1 1/4 Cap	1
32	18-372	3-Way Valve	1
	18-372-01	T-handle	1
33	16-161	Fitting 1 1/4 MPT x 1 1/4 HB	2
34	8897-15	Discharge Hose 1 1/4" x 15"	1
	18-040	Hose Clamp, HS-12	2
35	16-825	Stainless Steel Reducer Bushing 1 1/2 x 1 1/4	1
36	16-998	Hypro® Pump	1

(Continued on next page)

1105/1108/1115/1118 DRAWING

15-817 O-ring for #50 Series Clamp

15-818 O-ring for #75 Series Clamp

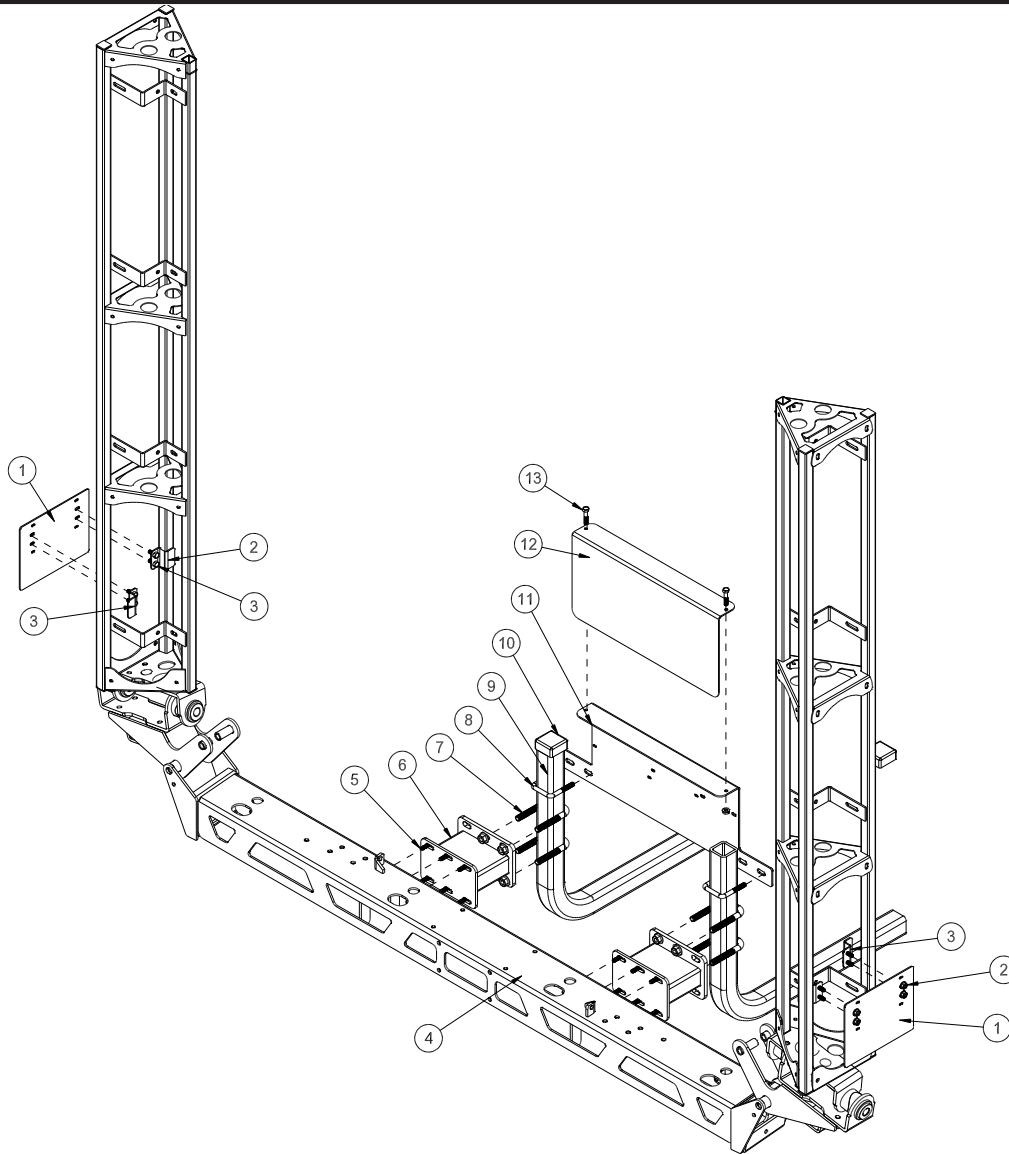


ACCESSORIES

1105/1108/1115/1118 PARTS LIST

REF#	PART#	DESCRIPTION	QUANTITY
37	18-475	Male Elbow	2
	9038-30	1/4 Tubing x 30"	1
	18-116	Hose Clamp, HS-24	2
38	16-880	Close Nipple	1
39	18-390	Pipe Tee 1 1/4	1
40	15-869	1" Hose Barb Outlet	1
	15-553-01	Clip	1
	15-553-02	O-ring	1
41	14-801	Agitator Line Strainer, 50 Mesh	1
	14-802	Replacement 50 Mesh Screen	
42	8897-51	Discharge Hose 1 1/4" x 51"	1
	18-116	Hose Clamp, HS-24	2
43	15-735	50 Series 1" FPT	1
44	15-739	75 Series 90° x 1 1/4 Hose Barb	1
45	16-281	Liquid Filled Gauge	1
46	4-628	Flanged Strainer with 80 Mesh Screen	1
47	20-785	Regulator Valve	1
48	15-870	50 Series 1 1/4" Hose Barb	1
49	8896-38	Discharge Hose 1" 38"	1
	18-222	Hose Clamp, 13/16 to 1 1/2	2
50	16-155	Elbow 3/4" MPT x 1" HB	1
51	10-390	Reducer	1

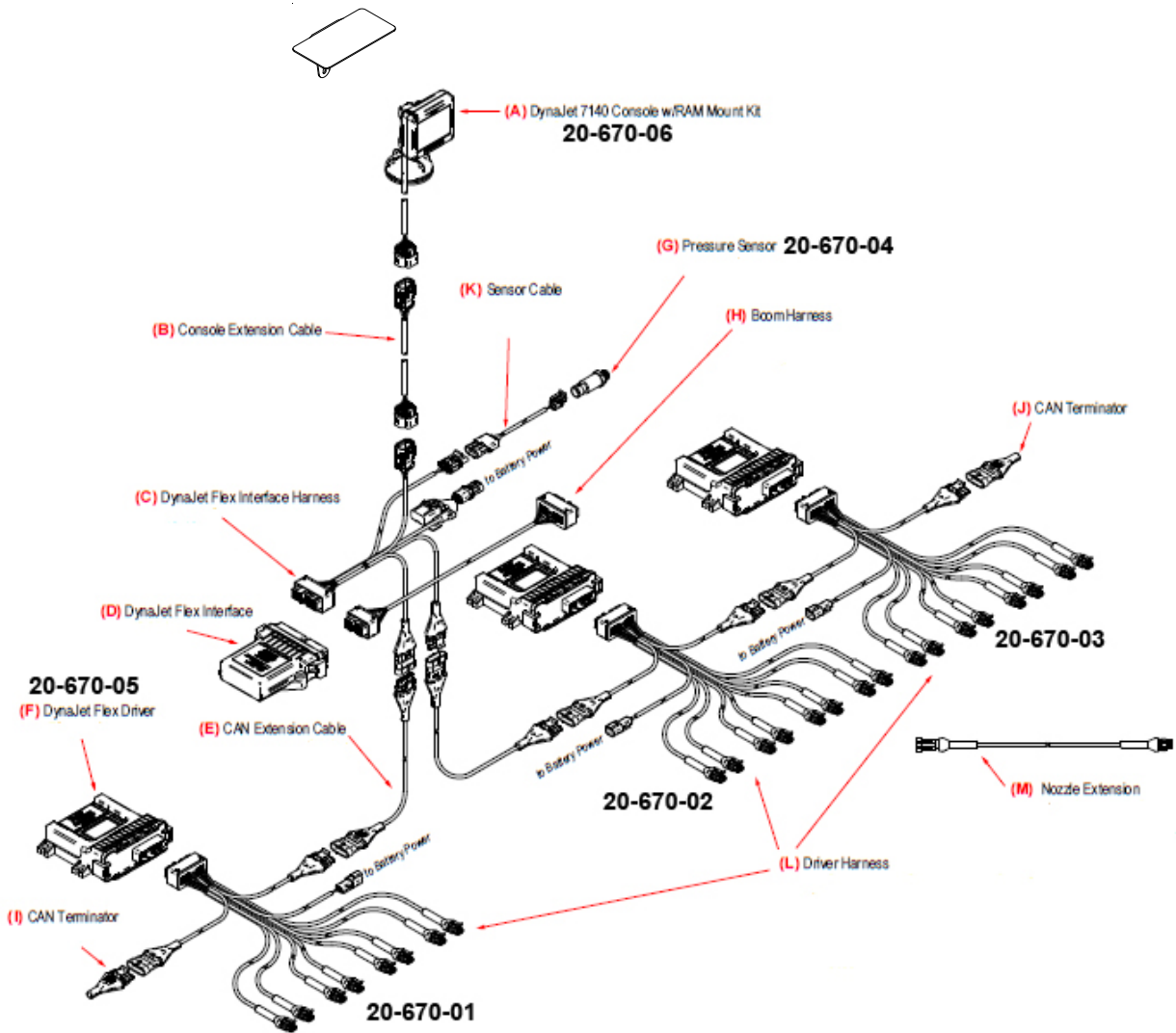
1105/1108 MODULE MOUNTS



REF#	PART#	DESCRIPTION	QUANTITY
1	20-665	Drive Module Bracket	2
2	20-664	Z Bracket	4
3	HSTP-14-20-075	Machine Screw, $\frac{1}{4}$ - 20 x $\frac{3}{4}$	10
	HNFL-14-20	Flange Whiz-Loc Nut, $\frac{1}{4}$ - 2	10
4		Center Boom Mount	1
5	HB-516-18-100	Hex Bolt, $\frac{5}{16}$ - 18 x 1	12
	HNTL-516-18	Lock Nut, $\frac{5}{16}$ - 18	12
6	17-614	Boom Spacer	2
7	20-555	U-Bolt	4
	HNFL-12-13	Flange Whiz-Loc Nut, $\frac{1}{2}$ - 13	8
8	17-537	Square U-bolt	2
9	17-615	Boom Carrier	2
10	16-557	Square Cap	2
11	10-625	Module Mount Bracket	1
12	20-666	Module Cover Bracket	1
13	HB-516-18-150	Hex Bolt, $\frac{5}{16}$ - 18 x $1\frac{1}{2}$	2
	HNTL-516-18	Lock Nut, $\frac{5}{16}$ - 18	2

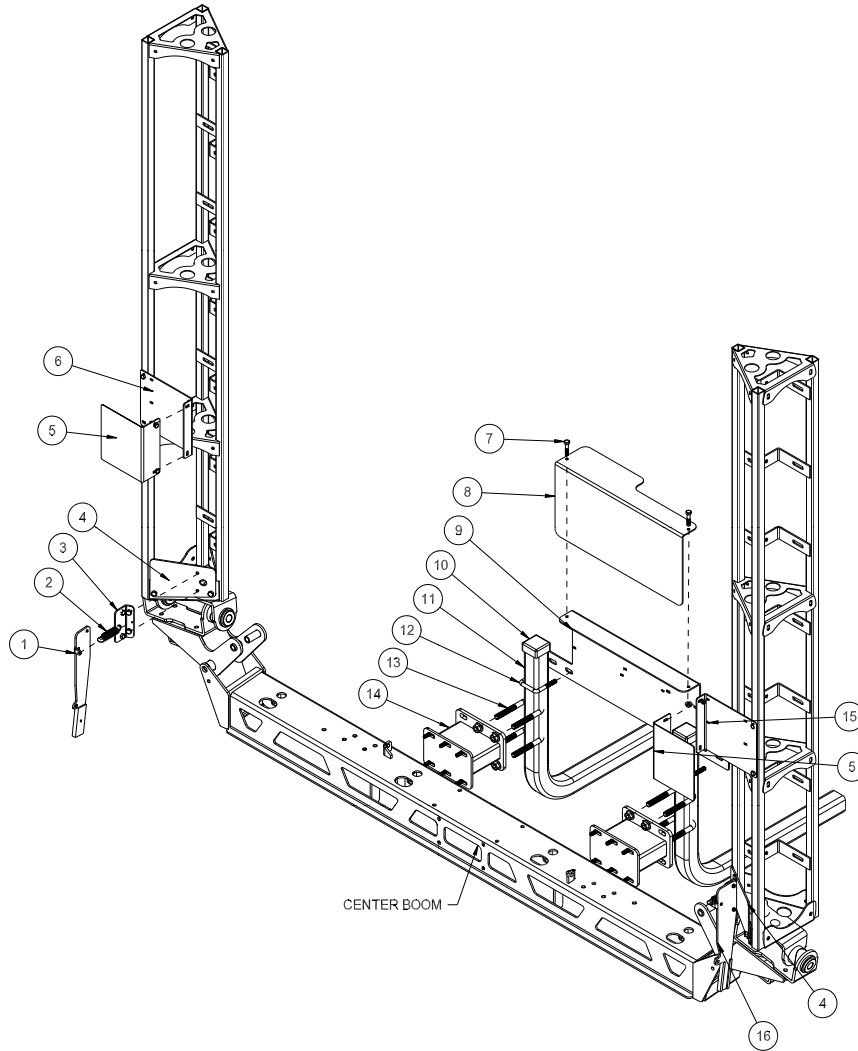
1105/1108 DYNAJET WIRING

10-716-M



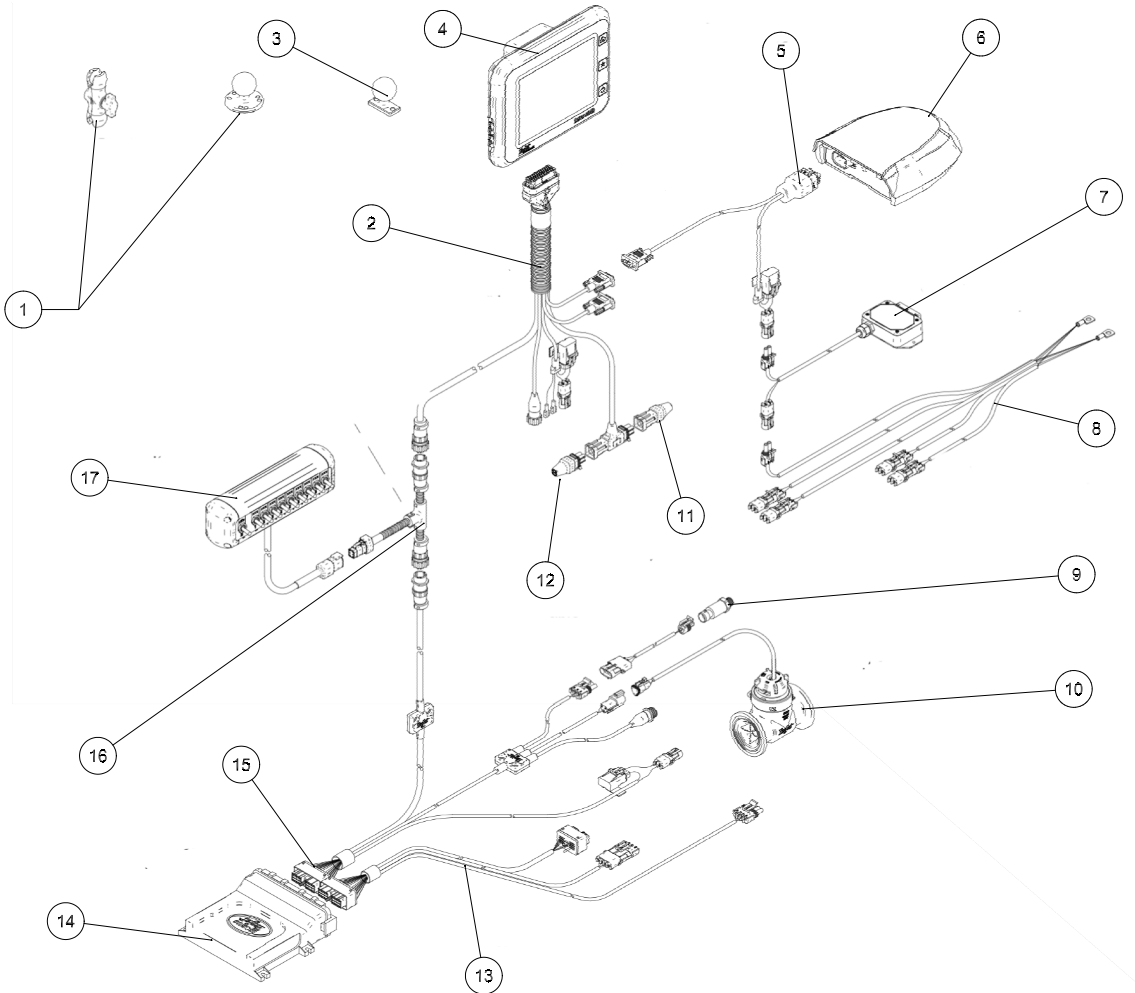
Accessories

1115/1118 MODULE MOUNTS



REF#	PART#	DESCRIPTION	QUANTITY
1	17-562	LH Break-Away Arm	1
2	11-050	Spring	2
3	17-560	Hinge Mount	2
4	17-559	Break-Away Mount	2
5	20-796	Bracket Cover	2
6	20-795	LH Driver Module Bracket	1
7	HB-516-18-150	Hex Bolt, $\frac{5}{16}$ -18 x $1\frac{1}{2}$	2
	HNFL-516-18	Flange Whiz-loc Nut, $\frac{5}{16}$ -18	2
8	20-794	Module Cover Bracket	1
9	10-625	Module Mount Bracket	1
10	16-557	Square Cap	2
11	17-615	Boom Carrier	2
12	17-537	Square U-bolt	1
13	20-555	U-Bolt	4
	HNFL-12-13	Flange Whiz-loc Nut, $\frac{1}{2}$ -13	8
14	17-614	Boom Spacer	2
15	20-793	RH Driver Module Bracket	1
16	17-561	RH Break-Away Arm	1

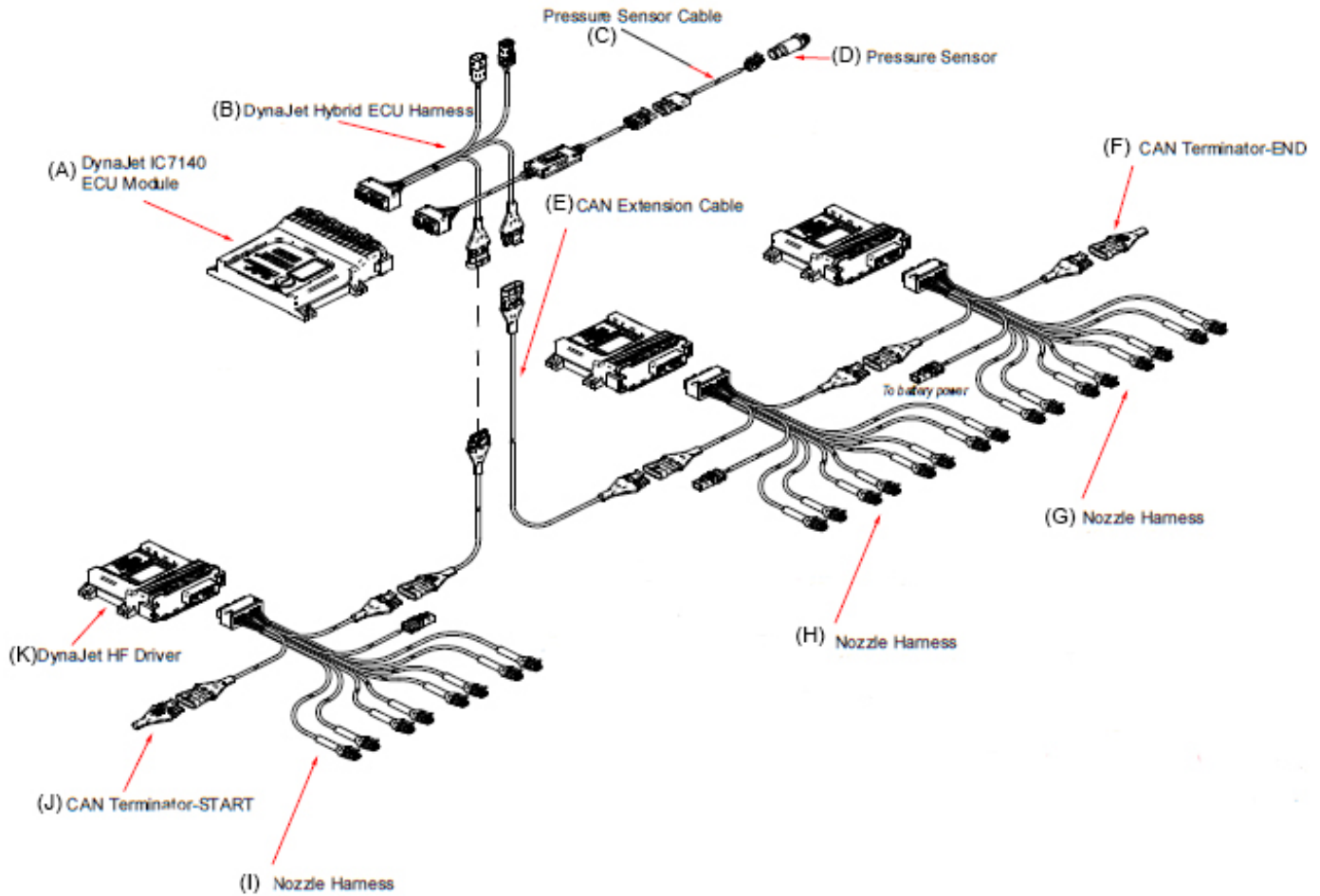
1115/1118 AEROS WIRING



REF#	PART#	DESCRIPTION	QUANTITY
1	20-540	Ram Mount	1
2		Aeros Harness w/ ISO CAN	1
3		RAM Base	1
4		Aeros Console	1
5	20-736-01	Antenna Cable	1
6	20-767	RX720 Receiver	1
7		Switch box	1
8		Power Cable	1
9	20-670-04	Pressure Sensor	1
10	20-684	Flow Meter	1
11		Terminator	1
12		Terminator	1
13		DynaJet Interface Boom Harness	1
14		IC18 Sprayer Module	1
15		IC18 Harness	1
16		TeeJet In-Cab Cable	1
17	20-686-01	Switch Box	1
NS	17-647	E-chemsaver Extensin Cable for 15' Boom	

Accessories

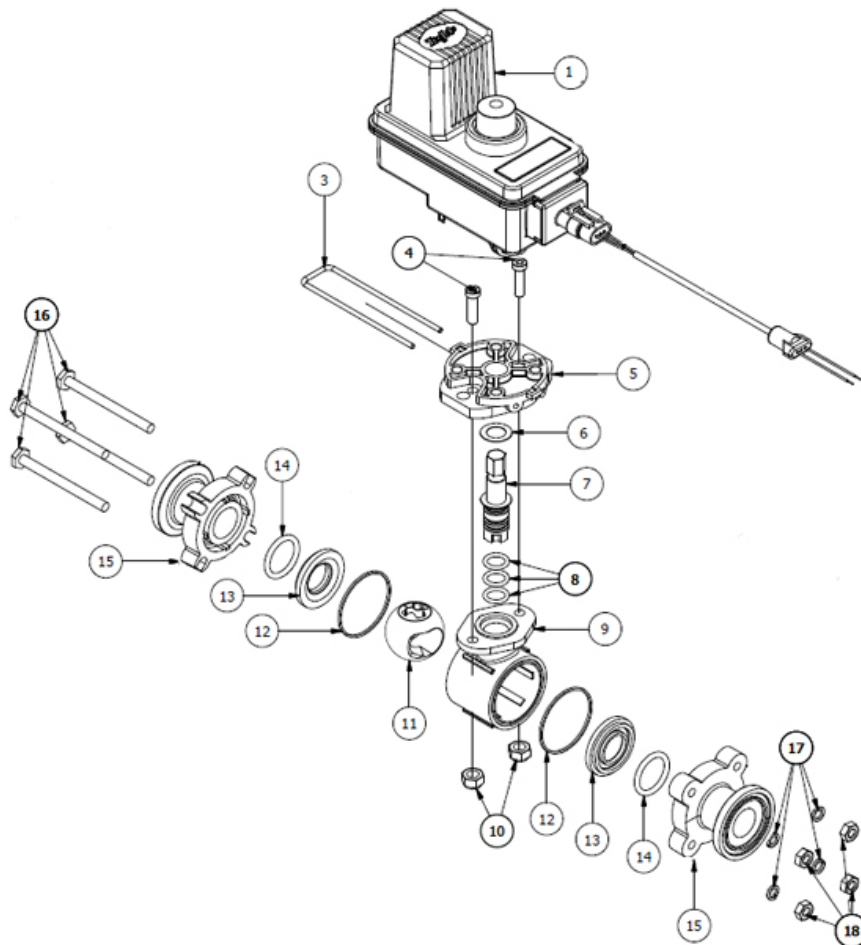
1115/1118 DYNAJET WIRING



REF#	PART#	DESCRIPTION	QUANTITY
A		DynaJet IUC7140 Module	1
B		Harness, IC7140 to IC35	1
C		Cable, Pressure Sensor	1
D	20-670-04	Pressure Sensor	1
E		CAN Extension Cable	1
F	20-670-08	CAN Terminator End	1
G	20-806-03	Right Harness, DJ Driver	1
H	20-806-02	Center Harness, DJ Driver	1
I	20-806-01	Left Harness, DJ Driver	1
J		CAN Terminator Start	1
K	20-670-05	DynaJet Driver	3

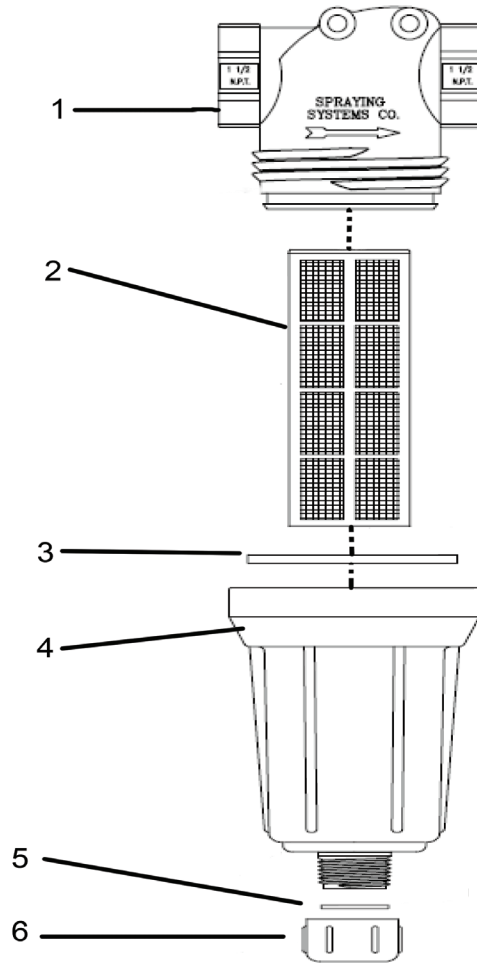
Accessories

20-817 REGULATOR VALVE DRAWING



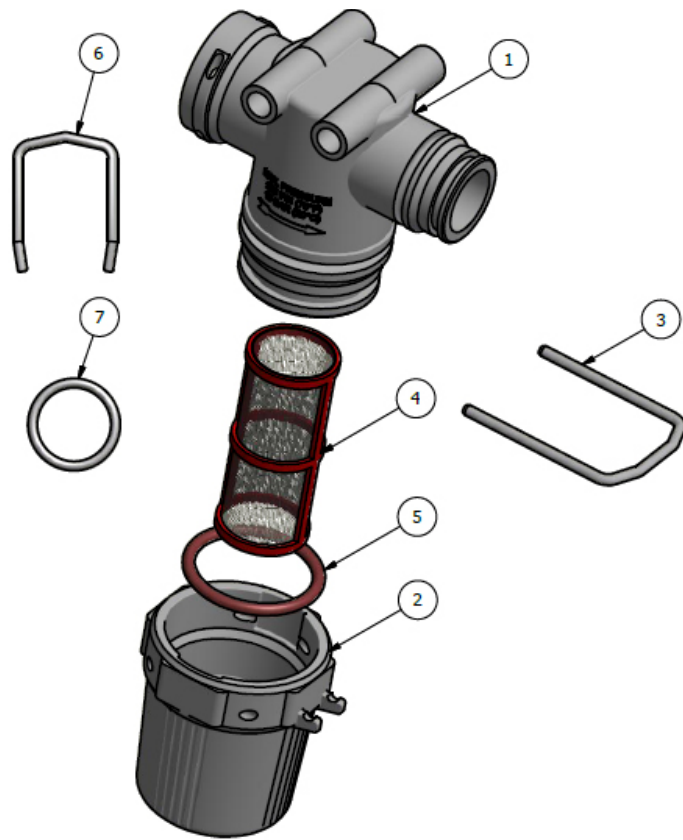
REF#	PART#	DESCRIPTION	QUANTITY
1		Motor,	1
3	15-552-24	Retaining Clip	1
4		Socket Head Cap Screw, Stainless Steel	2
5	15-552-26	Motor Adapter, Polypropylene	1
6*	15-517-11	Thrust Washer, Teflon	1
7	15-552-27	Stem, Stainless Steel	1
8	15-552-05	O-ring, Viton	3
9	15-517-16	Body, Nylon	1
10		Nylon Lock Nut, Stainless Steel	2
11		Ball, Polypropylene	1
12*	15-552-13	Gasket, Viton	2
13*	15-517-19	Seal, Teflon	2
14*	15-517-20	O-ring, Viton	2
15	15-743-01	End Cap	1
16		SS Hex Bolt, 1/4 - 20 x 3	4
17		SS Lock Washer, 1/4	4
18	15-517-23	SS Nut, 1/4 - 20	4
*	15-552-10	Spare Parts Kit	
	20-817	Complete Regulator Valve	

15-737/ 14-628 FLANGED STRAINER DRAWING



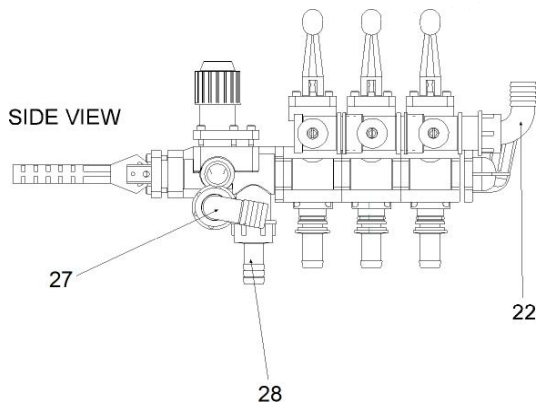
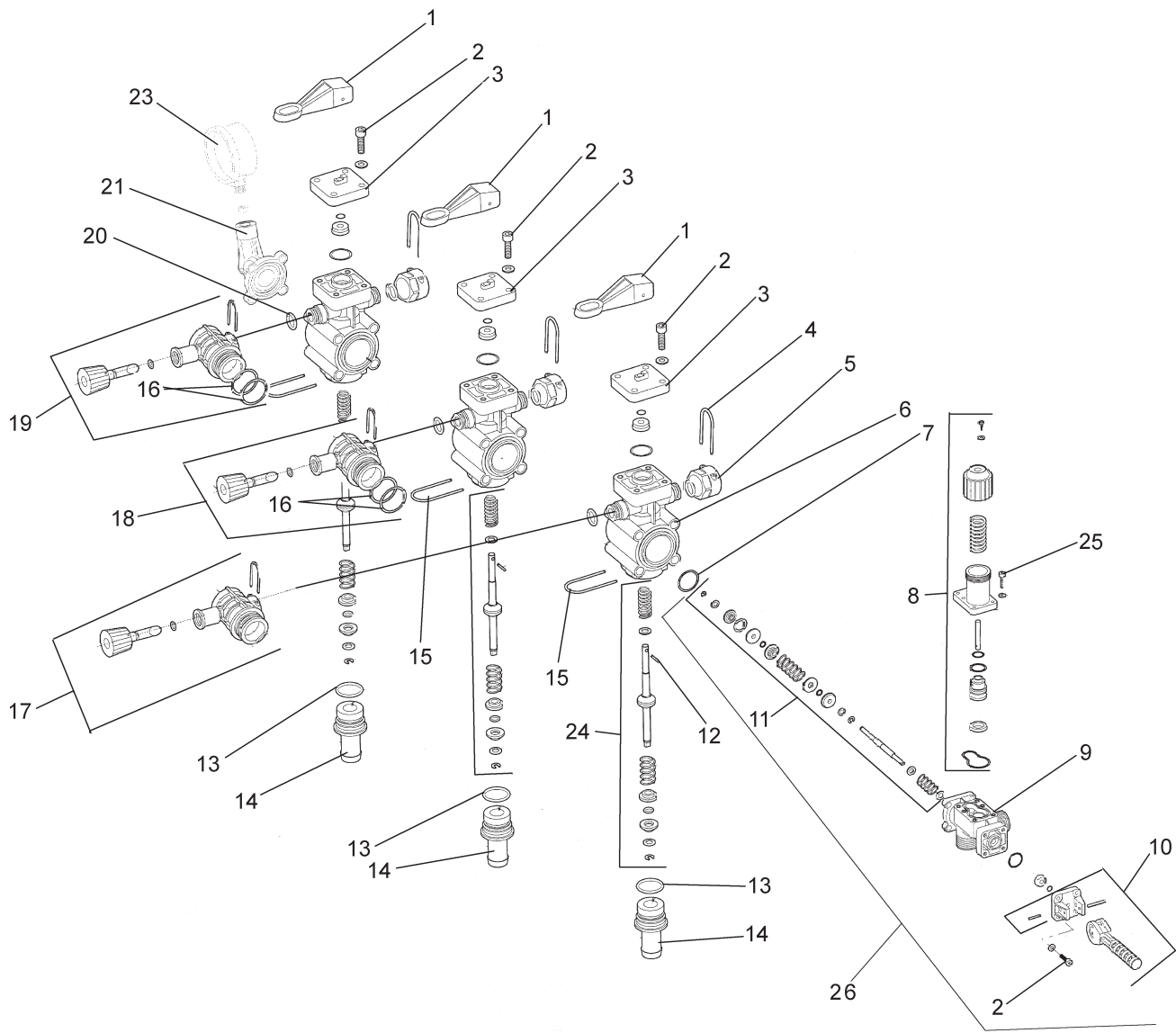
REF#	PART#	DESCRIPTION	QUANTITY
1	15-737-01	Strainer Head 75 Series	1
2*	16-968-03	50 Mesh Screen	1
**	16-968-05	80 Mesh Screen	
3	14-521-02	EPDM Gasket	1
4	14-521-03	Bowl 1" NPT	1
5	14-521-04	EPDM Rubber gasket	1
6	14-521-05	Cap	1
*	15-737	Flanged Strainer Assembly with 50 Mesh Screen	
**	14-628	Flanged Strainer Assembly with 80 Mesh Screen	

14-801 AGITATION STRAINER - 50 MESH



REF#	PART#	DESCRIPTION	QUANTITY
1		QC Strainer Head	1
2	14-801-01	Bowl	1
3		Strainer QC Retaining Clip	1
4	14-802	50 Mesh Screen	1
5	14-801-02	Viton O ring	1
6	15-553-01	Retaining Clip	1
7	15-553-02	Viton O ring	1

10-648 3-WAY MANUAL VALVE DRAWING



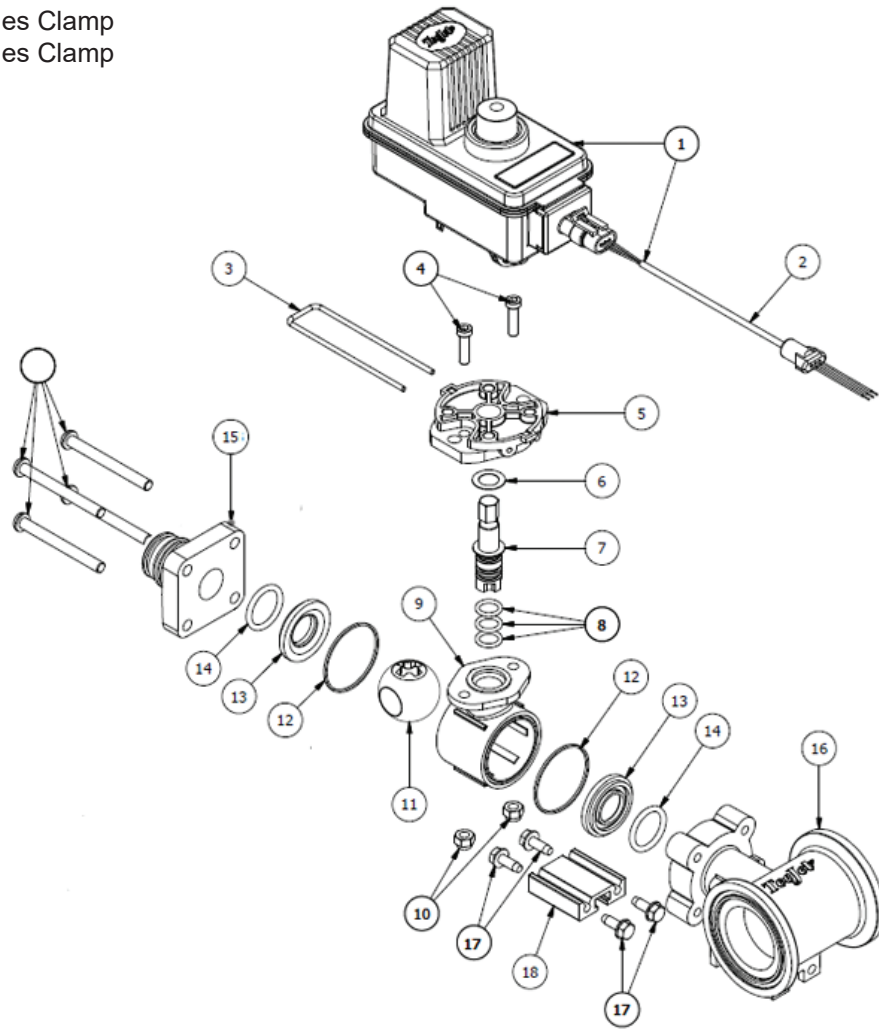
ACCESSORIES

10-648 3-WAY MANUAL VALVE PARTS LIST

REF#	PART#	DESCRIPTION	QUANTITY
1	10-268-07	Boom Lever	3
2	10-268-28	Bolt and Washer	18
3	10-268-17	Boom Lever Plate	3
4	10-268-06	Spring Clip $\frac{5}{8}$	6
5	10-268-05	Cap	3
	10-268-21	O-Ring (included with 10-268-19 Seal Kit)	3
6	10-268-02	Main Body	3
	10-268-19	Seal Kit	1 per body
7	10-268-24	O-Ring for Main Body	3
8	10-268-27	Main Pressure Adjust	1
9	10-268-29	Pressure Adjust Body	1
10	10-268-09	Main Boom Lever	1
11	10-268-30	Master Boom Lever Guts	1
12	10-268-25	Boom Lever Pin	3
13	10-268-22	O-Ring (included with 10-268-19 Seal Kit)	3
14	10-268-03	Hose Barb $\frac{3}{4}$	3
15	10-268-04	Spring Clip $\frac{7}{8}$	3
16	10-268-23	O-Ring (included with 10-268-12 and 10-268-14)	4
17	10-268-11	Boom Pressure Adjust (threaded end)	1
18	10-268-12	Boom Pressure Adjust (middle)	1
19	10-268-14	Boom Pressure Adjust (capped)	1
20	10-268-21	O-Ring	3
21	10-268-01	Gauge Elbow	1
22	10-268-13	Elbow 90° 1" Hose Barb with Nut	3
23	16-281	Liquid Filled Gauge (not part of 10-268)	1
24	10-268-26	Plunger Assembly	3
25	10-268-28	Bolt & Washer	6
26	10-168-31	Manual Control Valve	1
27	10-268-32	1" Elbow	1
	10-268-33	Clip	1
28		1" Hose Barb	1
Not Shown	10-268-15	Tie Rod with Nuts and Washer	4

15-743 MANIFOLD VALVE DRAWING

15-817 O-ring for #50 Series Clamp
 15-818 O-ring for #75 Series Clamp

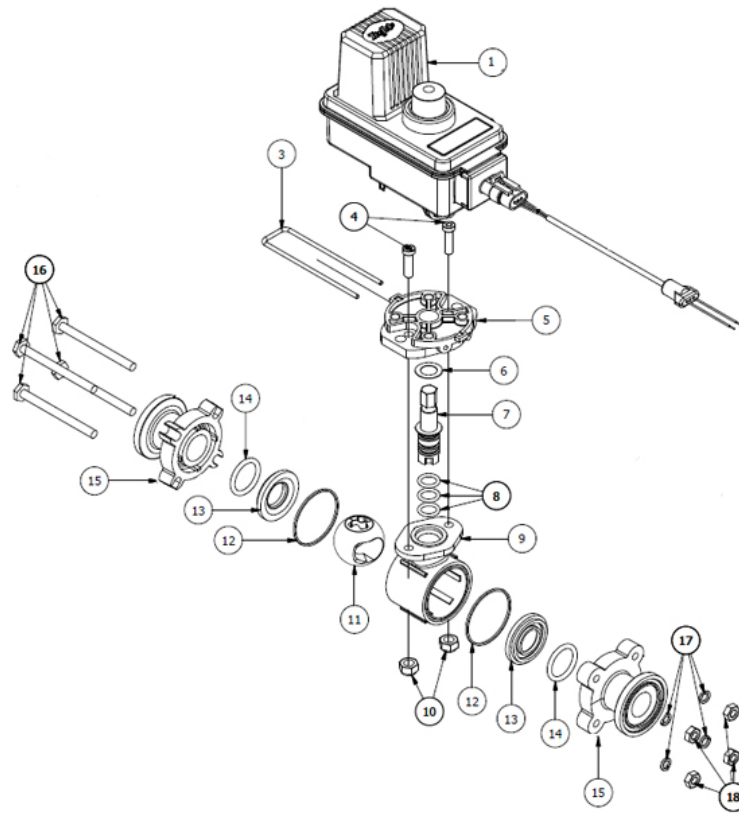


REF#	PART#	DESCRIPTION	QUANTITY
1	15-552-23	Motor	
2	15-878	Metri-Pack Cable (comes with motor)	1
3	15-552-24	Retaining Clip	1
4	15-552-25	Socket Head Cap Screw, Stainless Steel	2
5	15-552-26	Motor Adapter, Polypropylene	1
6*	15-517-11	Thrust Washer, Teflon	1
7	15-552-27	Stem, Stainless Steel	1
8*	15-552-05	O-ring, Viton	3
9	15-517-16	Body, Nylon	1
10		Lock Nut, Stainless Steel	2
11	15-743-04	Ball, Polypropylene	1
12*	15-552-13	Gasket, Viton	2
13*	15-517-19	Seal, Teflon	2
14*	15-517-20	O-ring, Viton	2
15	15-743-01	End Cap	1
16	15-743-02	75 Series Tee Body	1
17	15-743-06	Screw, SS	4
18	15-743-03	Mounting Rail Aluminum	1

* 15-552-10 Spare Parts Kit (includes all * items)
 15-743-05 Single Valve (shown)

20-785 REGULATOR VALVE

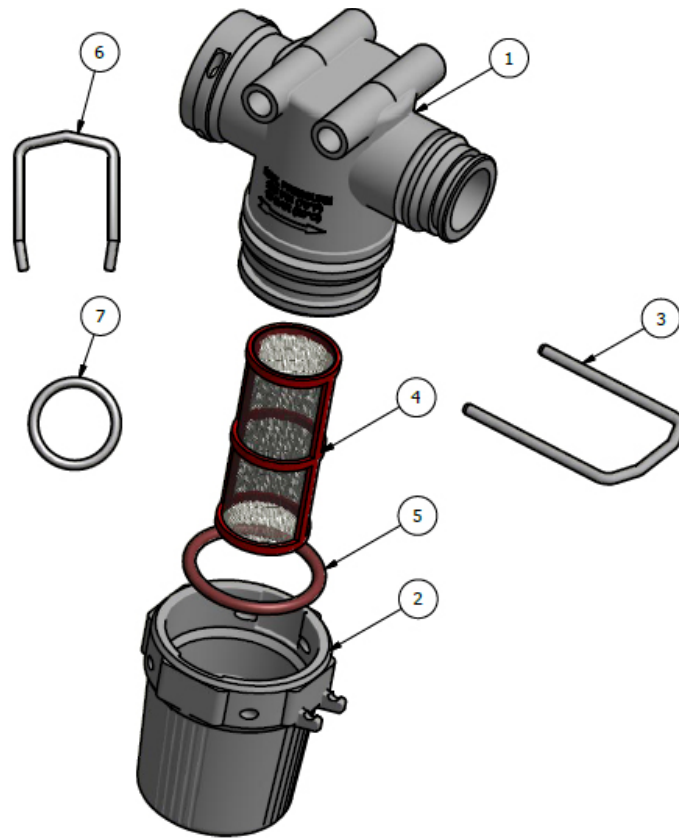
- 15-817 O-ring for #50 Series Clamp
- 15-818 O-ring for #75 Series Clamp



REF#	PART#	DESCRIPTION	QUANTITY
1	20-785-01	Motor,6 RPM	1
3	15-552-24	Retaining Clip	1
4	15-552-25	Socket Head Cap Screw, Stainless Steel	2
5	15-552-26	Motor Adapter, Polypropylene	1
6	15-517-11	Thrust Washer, Teflon	1
7	15-552-27	Stem, Stainless Steel	1
8*	15-552-05	O-ring, Viton	3
9	15-517-16	Body, Nylon	1
10		Lock Nut, Stainless Steel	2
11		Ball, Polypropylene	1
12	15-552-13	Gasket, Viton	2
13	15-517-19	Seal, Teflon	2
14	15-517-20	O-ring, Viton	2
15	15-743-01	End Cap	1
16		SS Bolt, 1/4 - 20 x 3	4
17		SS Lock Washer, 1/4	4
18		SS Nut, 1/4 - 20	4

20-685 Complete Regulator Valve

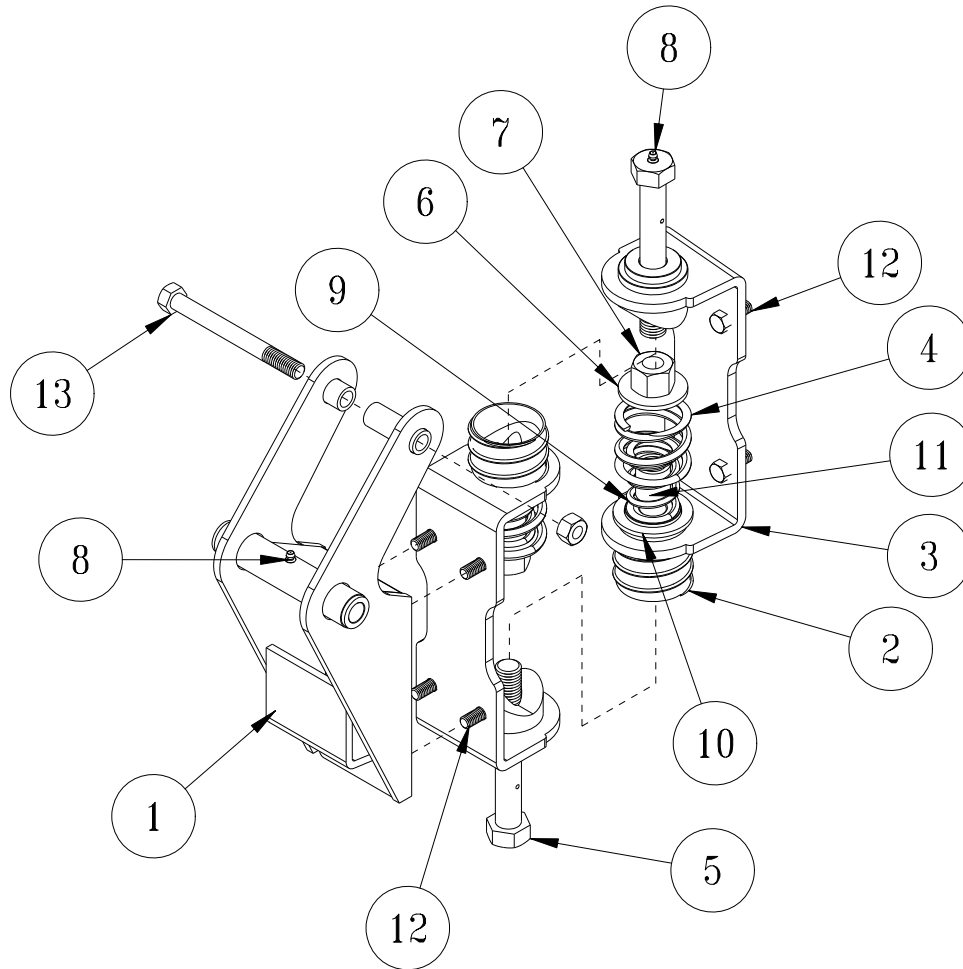
14-801 AGITATION STRAINER - 50 MESH



REF#	PART#	DESCRIPTION	QUANTITY
1		QC Strainer Head	1
2	14-801-01	Bowl	1
3		Strainer QC Retaining Clip	1
4	14-802	50 Mesh Screen	1
5	14-801-02	Viton O ring	1
6	15-553-01	Retaining Clip	1
7	15-553-02	Viton O ring	1

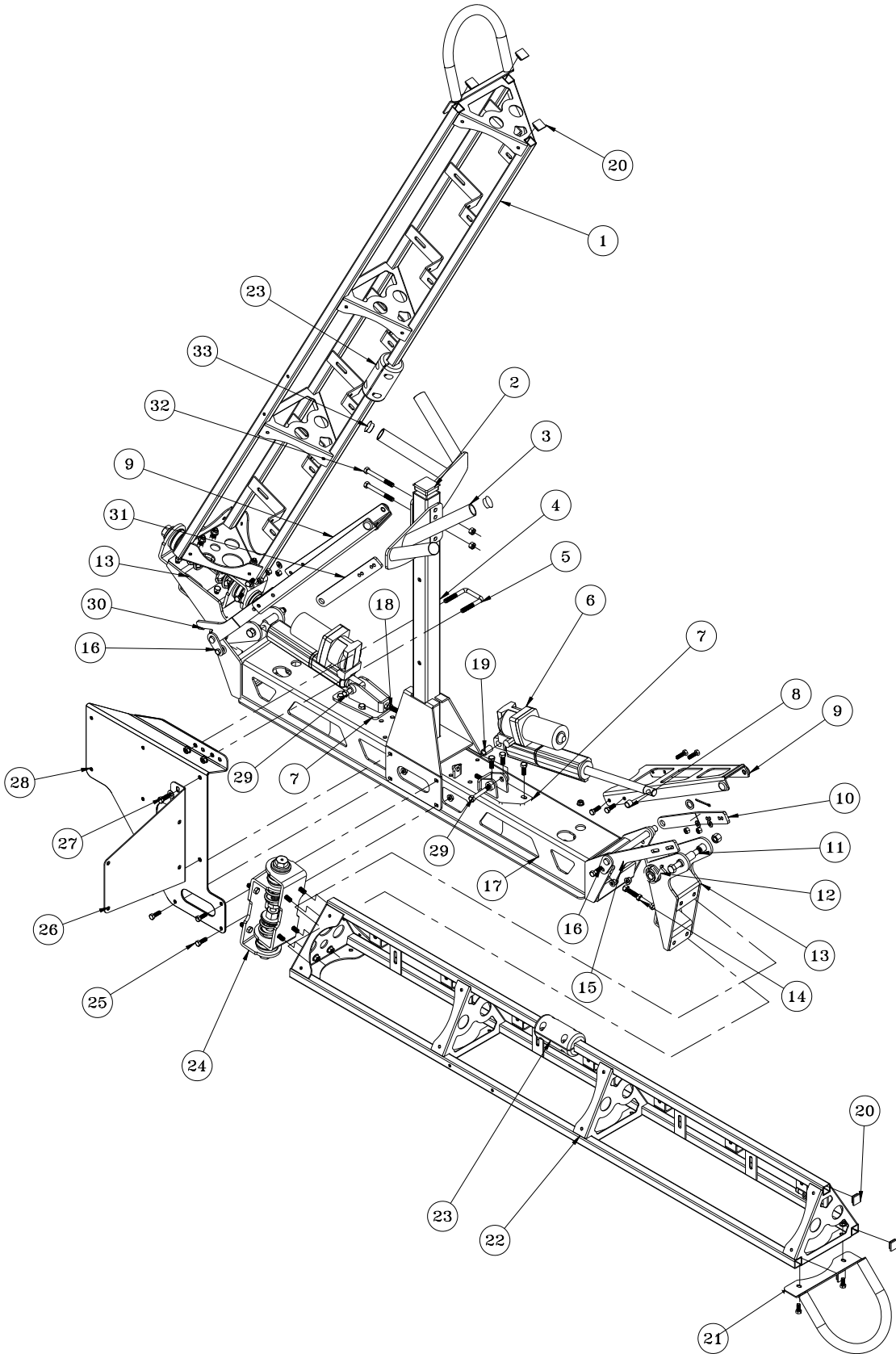
2 HINGE ASSEMBLIES PER BOOM

*17-632-K Boom Hinge Complete



REF#	PART#	DESCRIPTION	QUANTITY
1	30-185	Arm Pivot Hinge (part of boom)	1
	HG-14-28-180	Grease Zerk (part of boom)	1
2*	9026-2	Rubber Duct Hose, 2"	2
3*	17-527	Boom Hinge	1
4*	17-539	Compression Spring	2
5*	17-540	Tapped Bolt	2
6*	HW-34	Flat Washer, $\frac{3}{4}$	2
7*	HNCL-34-10	Center Lock Nut, $\frac{3}{4}$ - 10	2
8*	HG-14-28-180	Grease Zerk	2
9*	17-591	Compression Spring	2
10*	17-599	Spring Shim	2
11*	17-594	Spring Sleeve	2
12*	HB-38-16-100	Hex Bolt, $\frac{3}{8}$ - 16 x 1	8
	HNFL-38-16	Flange Lock Nut, $\frac{3}{8}$ - 16	8
13	HB-12-13-500	Hex Bolt, $\frac{1}{2}$ - 13 x 5	1
	HNTL-12-13	Lock Nut, $\frac{1}{2}$ - 13	1

17-585 18' HD BOOM DRAWING



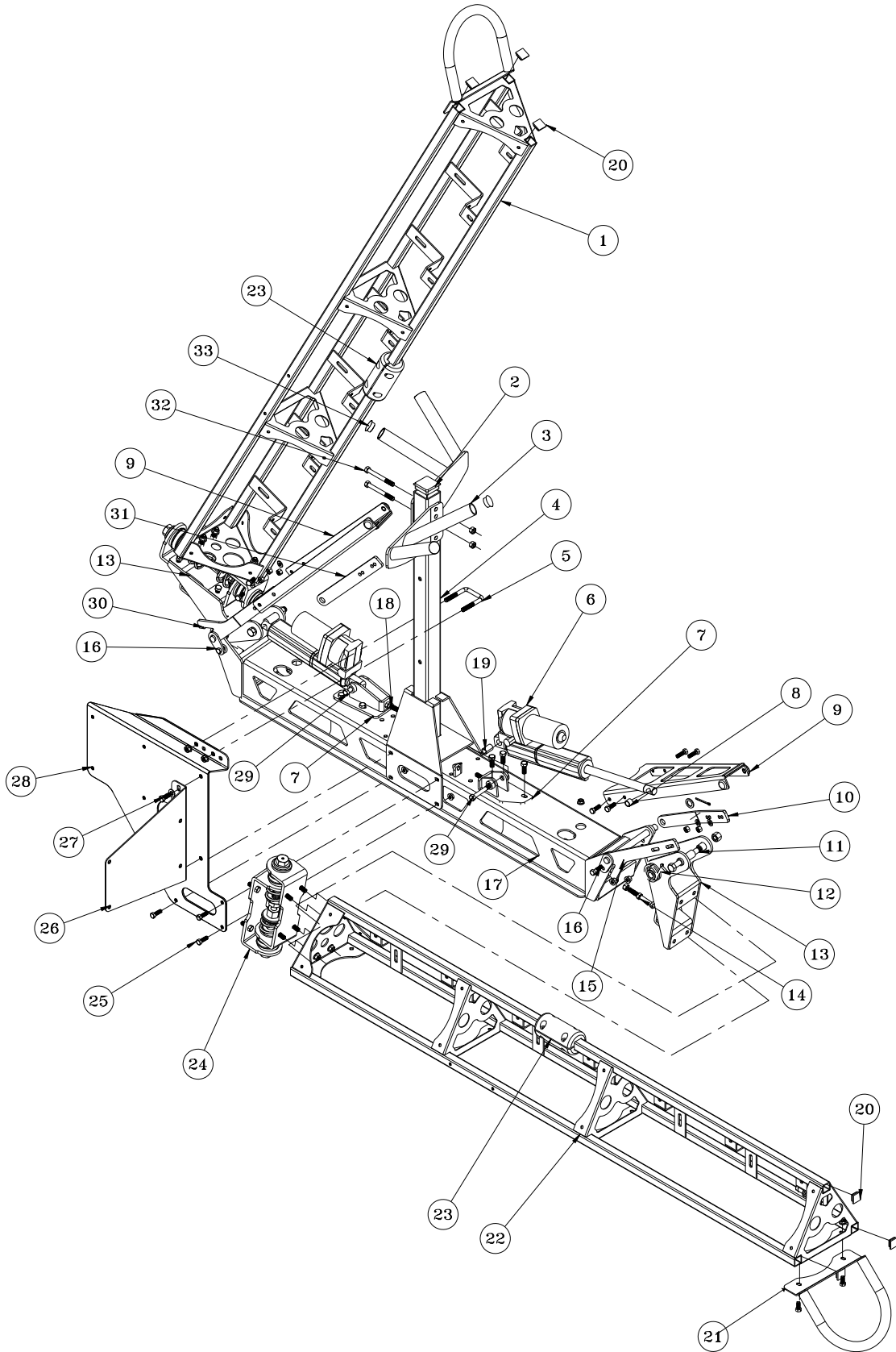
Accessories

17-585 18' HD BOOM PARTS LIST

REF#	PART#	DESCRIPTION	QUANTITY
1	17-652	Left Boom Arm	1
2	18-297	Cap Plug	1
3	17-617	Boom Nest	2
4	17-578	Boom Nest Post	1
5	17-537	Square U-Hex Bolt	1
6	30-214	KYB Electric/ Hydraulic Actuator (includes * items)	2
7	30-184	Ram Mount	2
	HN-38-16	Hex Nut, $\frac{3}{8}$ - 16 (for adjustment Hex Bolts)	4
	HB-38-16-100	Hex Bolt, $\frac{3}{8}$ - 16 x 1	6
	HW-38	Flat Washer, $\frac{3}{8}$	6
	HNFL-38-16	Flange Whiz-loc Nut, $\frac{3}{8}$ -16	6
8*	18-036	$\frac{1}{2}$ " Bushing (part of 30-214)	2
9	17-587	Boom Lock	2
	HB-516-18-100	Hex Bolt, $\frac{5}{16}$ - 18 x 1	8
	HW-516	Flat Washer, $\frac{5}{16}$	4
	HNTL-516-18	Nylon Lock Nut, $\frac{5}{16}$ -18	8
	42-116	Rubber Insert	4
	8803-2.75	Trim Lace, 2.75"	2
10	17-588	Lock Hinge, RH	1
11	HB-12-13-500	Hex Bolt, $\frac{1}{2}$ - 13 x 5	2
	HNTL-12-13	Nylon Lock Nut, $\frac{1}{2}$ - 13	2
12	17-597	Torsion Spring, RH	1
13	30-185	Arm Pivot Hinge	2
	HG-14-28-180	Grease Fitting, $\frac{1}{4}$ - 28 x 180°	2
	76-128	Bushing (part of 30-185)	4
14	HB-38-16-175	Hex Bolt, $\frac{3}{8}$ - 16 x $1\frac{3}{4}$	2
	HNFL-38-16	Flange Whiz-loc Nut, $\frac{3}{8}$ - 16	4
15	17-589	Limit Hinge, RH	1
16	17-596	Hinge Pin w/ Spacer	2
	HP-18-100	Cotter Pin $\frac{1}{8}$ x 1	2
	HB-516-18-100	Hex Bolt, $\frac{5}{16}$ - 18 x 1	2
	HNFL-516-18	Flange Whiz-loc Nut, $\frac{5}{16}$ -18	2
17	17-650	Boom Center	1
18	HB-38-16-100	Hex Bolt, $\frac{3}{8}$ - 16 x 1	2
	HNFL-38-16	Flange Whiz-loc Nut, $\frac{3}{8}$ - 16	4
19*	18-234	1" Bushing (part of 30-214)	2
20	30-258	Ribbed 1" Plug	10
21	17-541	Boom End Guard	2
	HBFL-516-18-075	Hex Bolt, $\frac{5}{16}$ - 18 x $\frac{3}{4}$	4
	HNFL-516-18	Flange Whiz-loc Nut, $\frac{5}{16}$ - 18	4
22	17-653	Right Boom Arm	1
23	17-573	Guide Block Set	2
	HB-14-20-125	Hex Bolt, $\frac{1}{4}$ - 20 x $1\frac{1}{4}$	8
	HNTL-14-20	Nylon Lock Nut, $\frac{1}{4}$ - 20	8
24	17-632	Boom Hinge Complete	2
	HB-38-16-100	Hex Bolt, $\frac{3}{8}$ - 16 x 1	16
	HNFL-38-16	Flange Whiz-loc Nut, $\frac{3}{8}$ - 16	16
25	HB-516-18-100	Hex Bolt, $\frac{5}{16}$ - 18 x 1	8
	HW-516	Flat Washer, $\frac{5}{16}$	8
	HNFL-516-18	Flange Whiz-loc Nut, $\frac{5}{16}$ - 18	8

(Continue on next page)

17-585 18' HD BOOM DRAWING



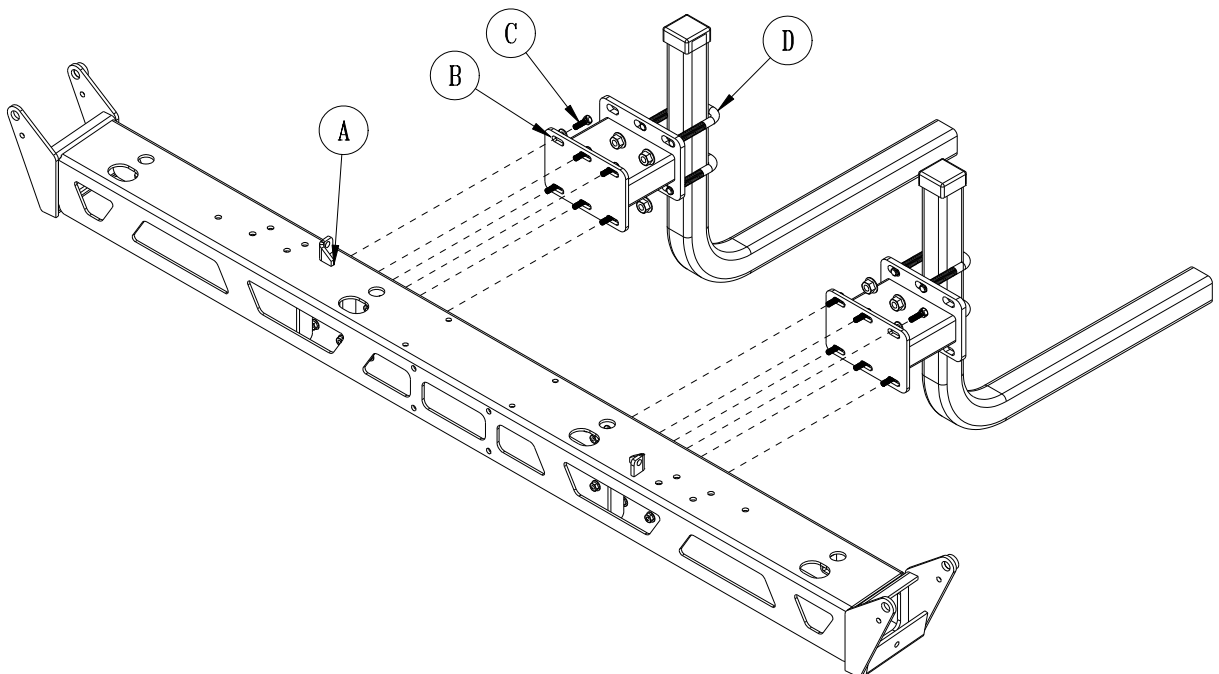
Accessories

17-585 18' HD BOOM PARTS LIST

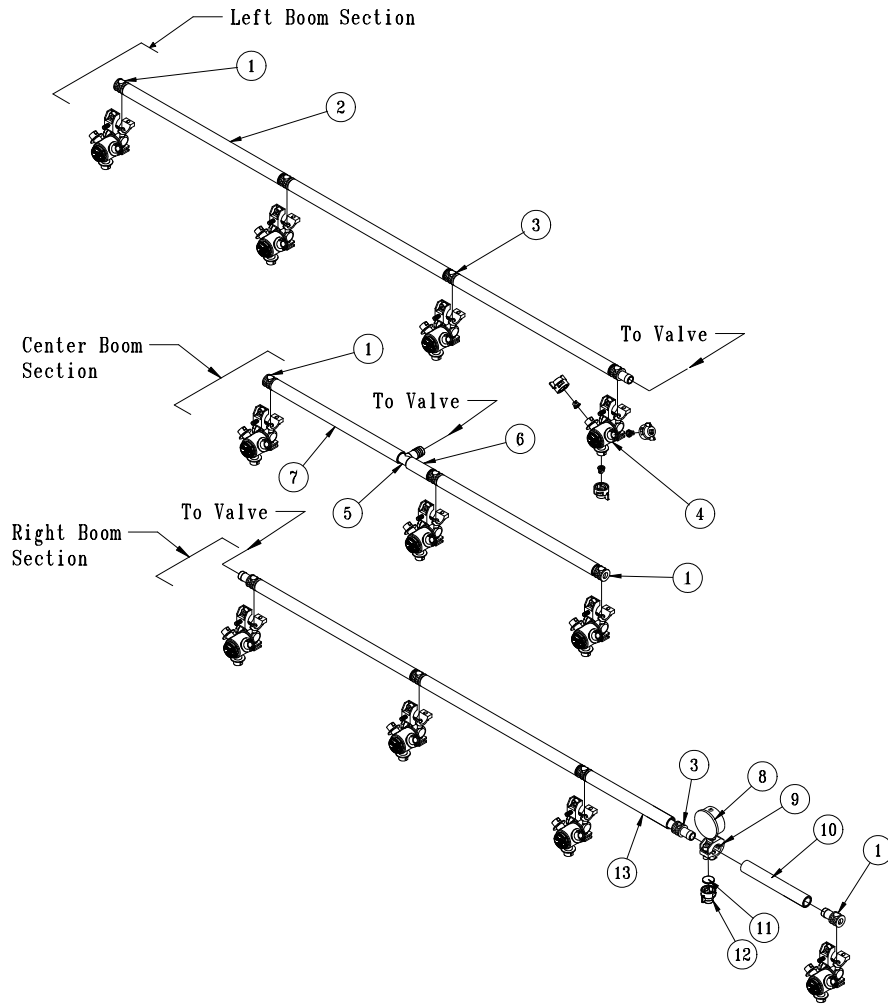
REF#	PART#	DESCRIPTION	QUANTITY
26	17-636	Fresh Water Tank Mount	1
27	HB-38-16-100	Hex Bolt, $\frac{3}{8}$ - 16 x 1	2
	HNFL-38-16	Flange Whiz-loc Nut, $\frac{3}{8}$ - 16	2
	HW-38	Flat Washer, $\frac{3}{8}$	2
28	17-660	Clean Load Mount	1
	8803-13	Black Trim x 13"	1
29	HB-12-13-300	Hex Bolt, $\frac{1}{2}$ - 13 x 3	2
	HNTL-12-13	Nylon Lock Nut, $\frac{1}{2}$ - 13	2
30	17-593	Limit Hinge, LH	1
	17-598	Torsion Spring, LH	1
31	17-592	Lock Hinge, LH	1
32	HB-38-16-300	Hex Bolt, $\frac{3}{8}$ - 16 x 3	2
	HNTL-38-16	Nylon Lock Nut, $\frac{3}{8}$ - 16	2
33	17-619	Tube Cap	4

BOOM MOUNT TO TRUCK

REF#	PART#	DESCRIPTION	QUANTITY
A		Center Boom Mount	1
B	17-614	Boom Spacer	2
C	HB-516-18-100	Hex Bolt, $\frac{5}{16}$ -18 x 1	12
	HNTL-516-18	Lock Nut, $\frac{5}{16}$ -18	12
D	20-555	U-Bolt	4
	HNFL-12-13	Flange Whiz-loc Nut, $\frac{1}{2}$ - 13	8

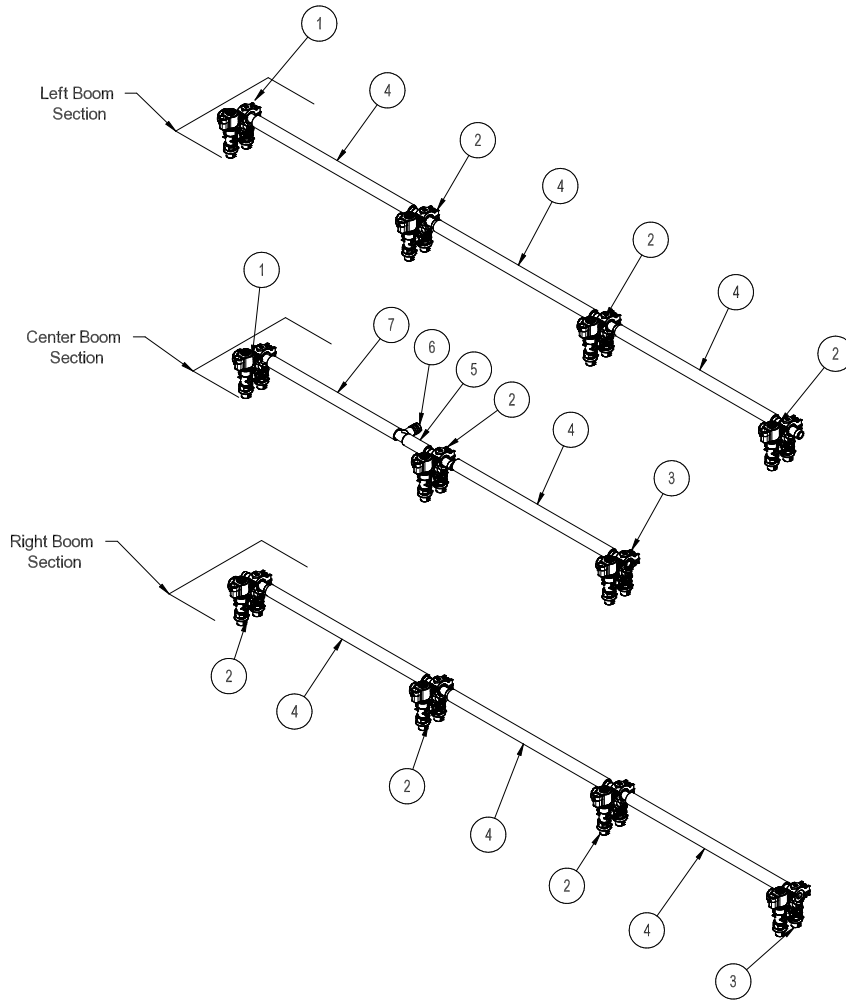


17-585 18' HD BOOM 1102/1104 PLUMBING



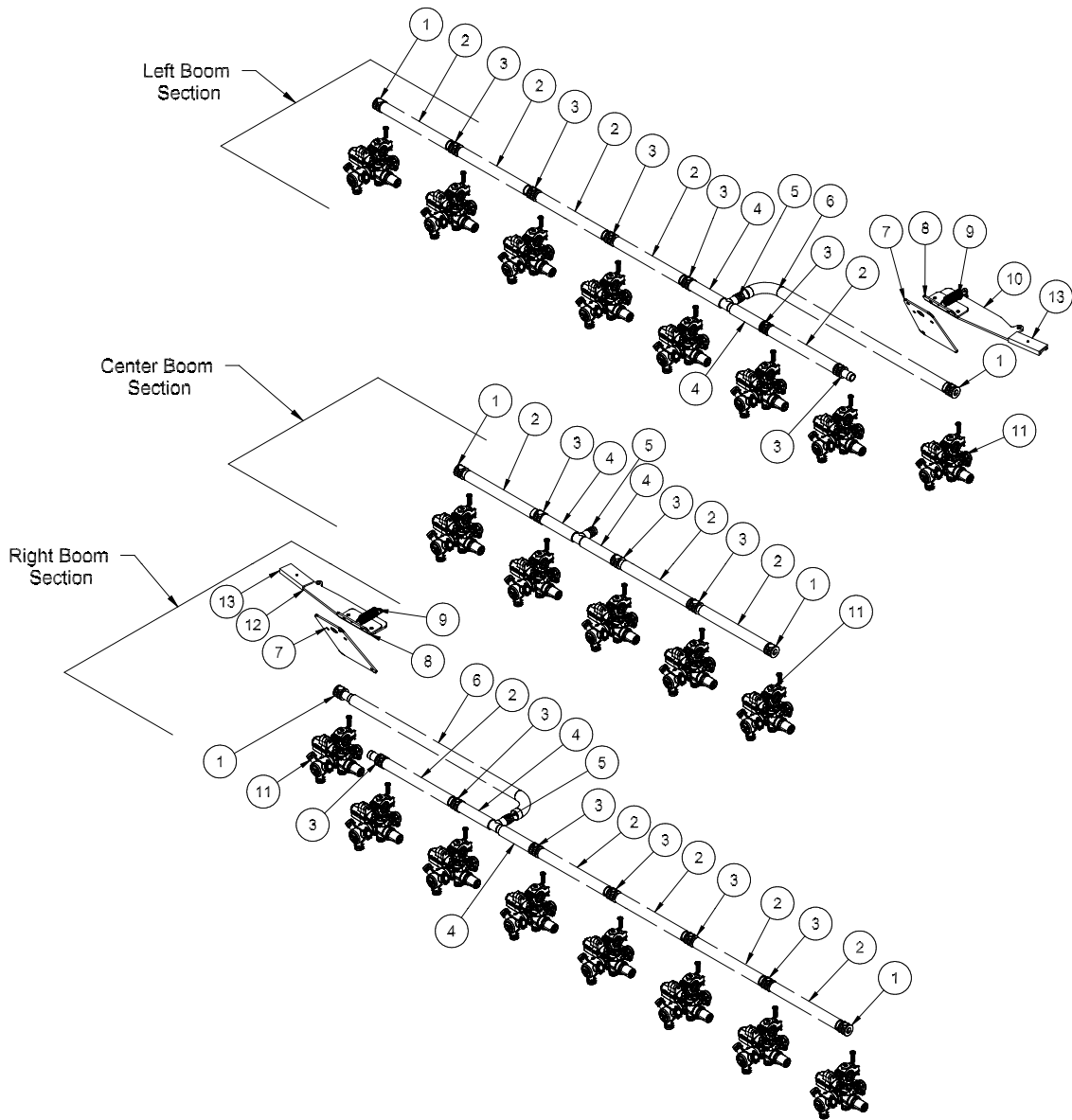
REF#	PART#	DESCRIPTION	QUANTITY
1	18-417	Single Barb	4
2	8887-19	Orange PVC Hose $\frac{3}{4}$ " x 19"	6
	18-040	Hose Clamp	12
3	18-416	Double Barb	8
4	33-506	Nozzle body (see nozzle drawing)	11
5	18-415	$\frac{3}{4}$ " Hose Barb	1
6	8887-2.5	Orange PVC Hose $\frac{3}{4}$ " x 2 $\frac{1}{2}$ "	1
	18-040	Hose Clamp	2
7	8887-15.5	Orange PVC Hose $\frac{3}{4}$ " x 15 $\frac{1}{2}$ "	1
	18-040	Hose Clamp	2
8	16-281	Gauge	1
9	17-602	Nozzle Body	1
10	8887-5	Orange PVC Hose $\frac{3}{4}$ " x 5"	1
	18-040	Hose Clamp	2
11	16-800	Gasket	1
12	16-921	Cap	1
13	8887-13	Orange PVC Hose $\frac{3}{4}$ " x 13"	1
	18-040	Hose Clamp	2

17-585 18' HD BOOM 1108 PLUMBING



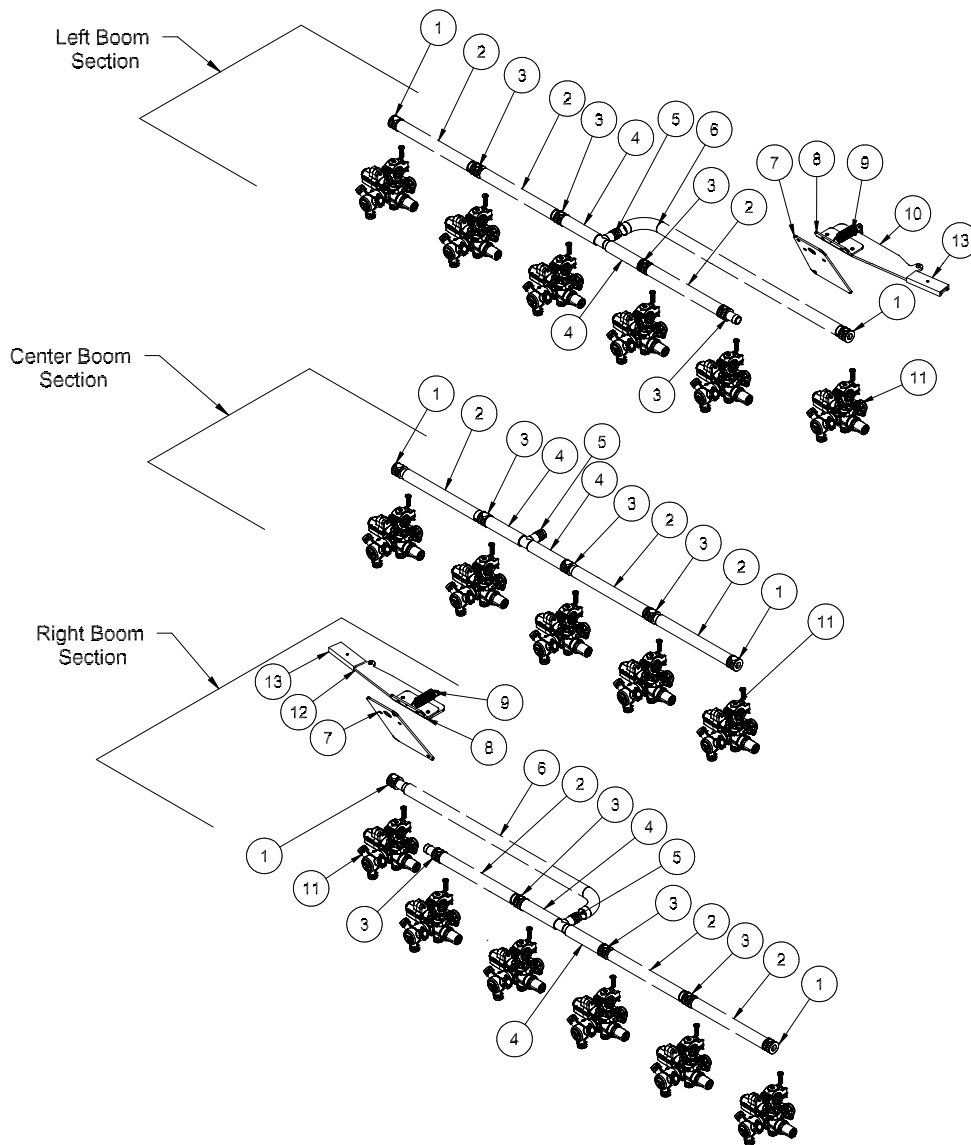
REF#	PART#	DESCRIPTION	QUANTITY
1	20-675	Single Hose Barb - Right Orientation	2
2	20-673	Single Hose Barb	7
3	20-674	Single Hose Barb - Left Orientation	2
4	8887-19	Orange PVC Hose $\frac{3}{4}$ " x 19"	7
	18-040	Hose Clamp	14
5	8887-2.5	Orange PVC Hose $\frac{3}{4}$ " x 2 $\frac{1}{2}$ "	1
	18-040	Hose Clamp	2
6	18-415	$\frac{3}{4}$ " Hose Barb	1
7	8887-15.5	Orange PVC Hose $\frac{3}{4}$ " x 15 $\frac{1}{2}$ "	1
	18-040	Hose Clamp	2

17-585 18' HD BOOM 1118 PLUMBING



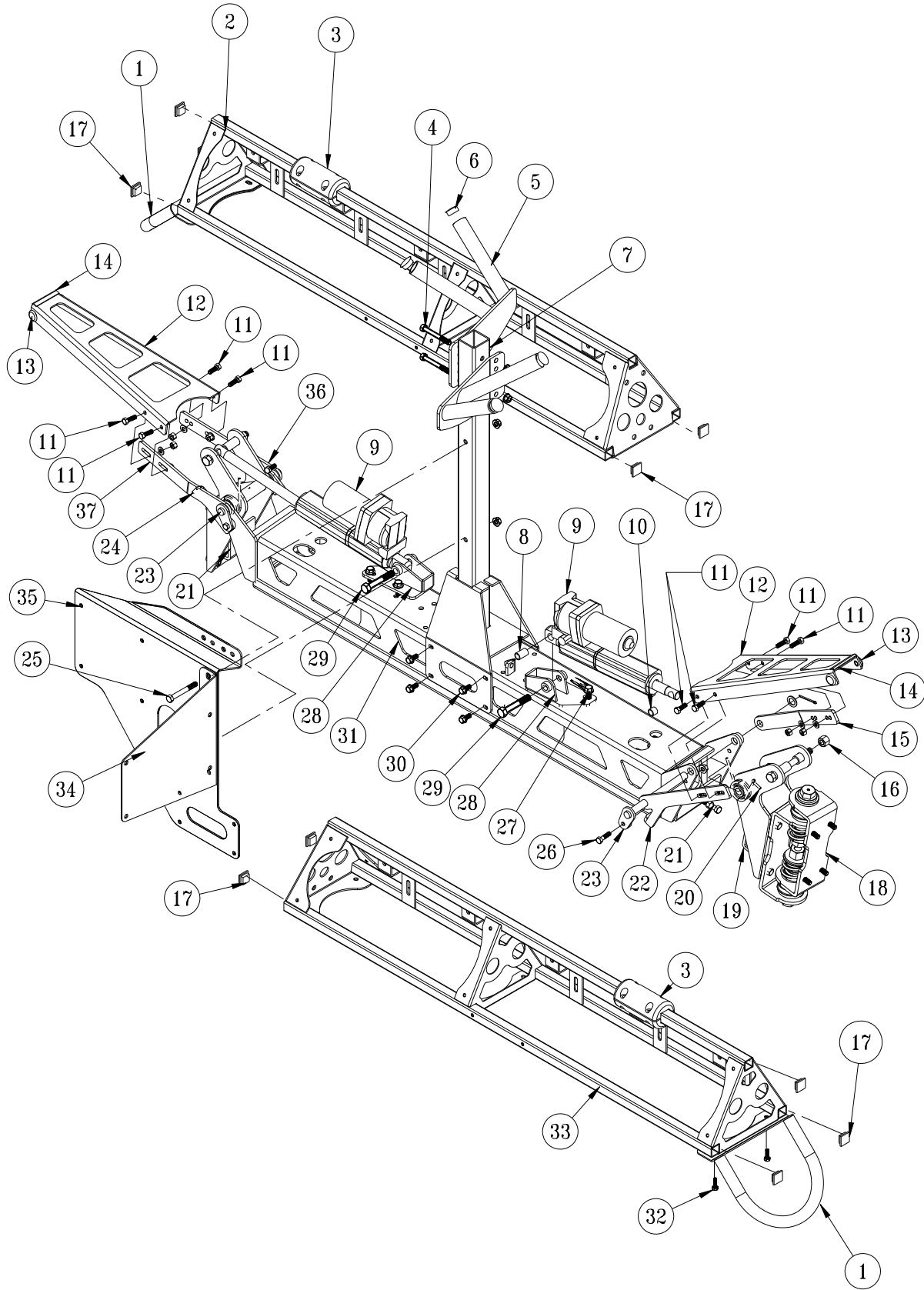
REF#	PART#	DESCRIPTION	QUANTITY
1	18-417	Single Barb	6
2	9032-8.5	Black Hose, $\frac{3}{4}$ " x 8.5"	13
	18-040	Hose Clamp	26
3	18-416	Double Barb	15
4	9032-4	Black Hose $\frac{3}{4}$ " x 4"	6
	18-040	Hose Clamp	12
5	18-415	$\frac{3}{4}$ " Hose Barb	3
6	9032-28	Black Hose $\frac{3}{4}$ " x 15 $\frac{1}{2}$ "	2
	18-040	Hose Clamp	4
7	17-559	Break-Away Mount	2
8	17-560	Hinge Mount	2
9	11-050	Spring	2
10	17-562	LH Break-Away Arm	1
11	20-807	Nozzle Body	21
12	17-561	RH Break-Away Arm	1

17-601 15' HD BOOM 1115 PLUMBING



REF#	PART#	DESCRIPTION	QUANTITY
1	18-417	Single Barb	6
2	9032-8.5	Black Hose, $\frac{3}{4}$ " x 8.5"	9
	18-040	Hose Clamp	18
3	18-416	Double Barb	11
4	9032-4	Black Hose $\frac{3}{4}$ " x 4"	6
	18-040	Hose Clamp	12
5	18-415	$\frac{3}{4}$ " Hose Barb	3
6	9032-28	Black Hose $\frac{3}{4}$ " x 15 $\frac{1}{2}$ "	2
	18-040	Hose Clamp	4
7	17-559	Break-Away Mount	2
8	17-560	Hinge Mount	2
9	11-050	Spring	2
10	17-562	LH Break-Away Arm	1
11	20-807	Nozzle Body	17
12	17-561	RH Break-Away Arm	1

17-601 15' HD BOOM DRAWING



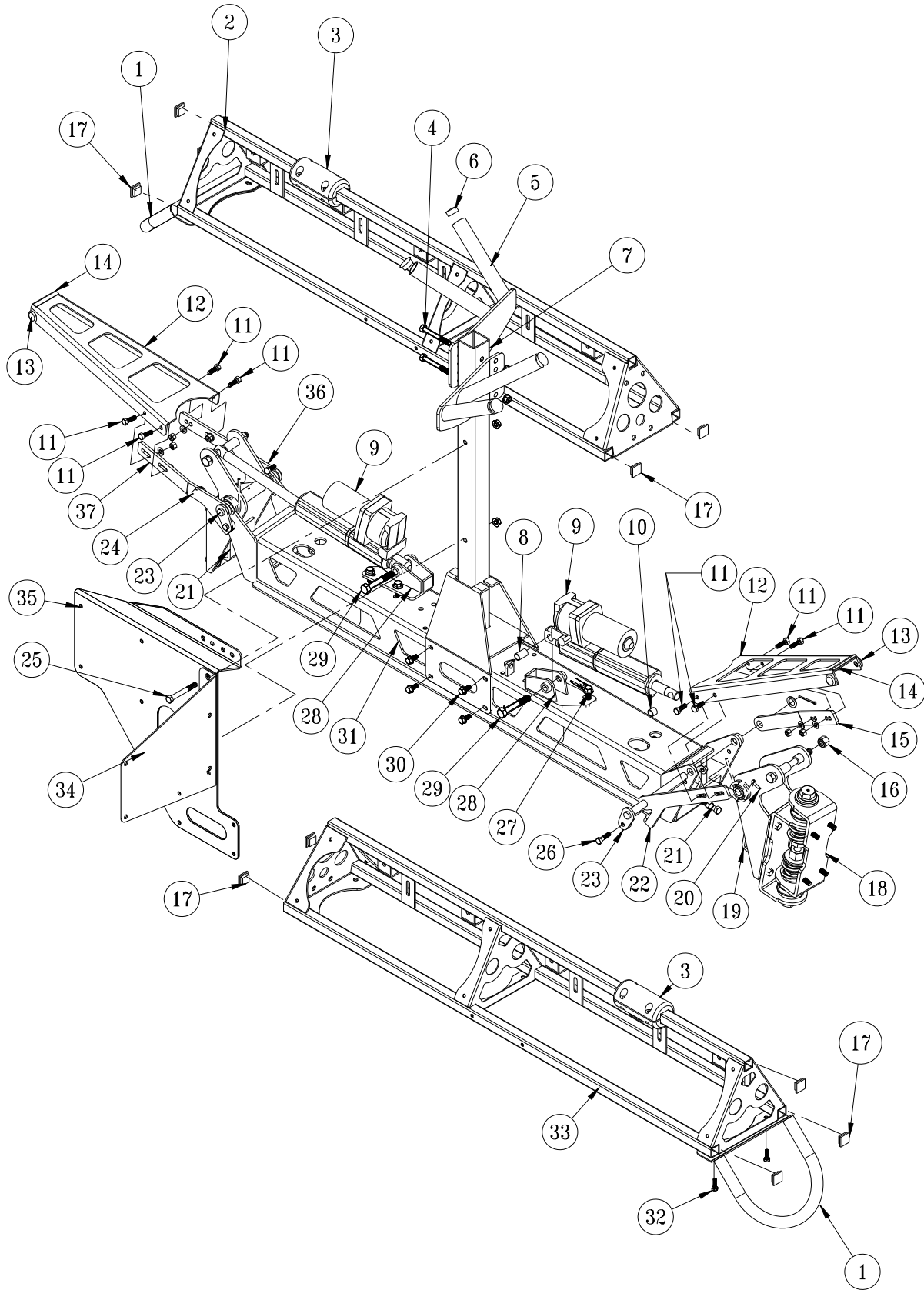
Accessories

17-601 15' HD BOOM PARTS LIST

REF#	PART#	DESCRIPTION	QUANTITY
1	17-541	Boom End Guard	2
2	17-551	Left Boom Arm	1
3	17-573	Guide Block Set	2
	HB-14-20-125	Hex Bolt, $\frac{1}{4}$ - 20 x $1\frac{1}{4}$	8
	HNTL-14-20	Lock Nut, $\frac{1}{4}$ - 20	8
4	HB-38-16-300	Hex Bolt, $\frac{3}{8}$ - 16 x 3	2
	HNTL-38-16	Lock Nut, $\frac{3}{8}$ - 16	2
5	17-617	V-Boom Nest	2
6	17-619	Push-In Rounds	4
7	17-578	Boom Nest Post	1
	18-297	Cap Plug	1
8	18-036	1" Bushing (part of 30-214)	2
9	30-214	10" Electric/Hydraulic Actuator	2
10	18-234	$\frac{1}{2}$ " Bushing (part of 30-214)	2
11	HB-516-18-100	Hex Bolt, $\frac{5}{16}$ - 16 x 1	8
	HW-516	Flat Washer, $\frac{5}{16}$	4
	HNTL-516-18	Lock Nut, $\frac{5}{16}$ - 18	8
12	17-587	Boom Lock	2
13	42-116	Rubber Insert	4
14	8803-2.75	Trim Lace, $2\frac{3}{4}$	2
15	17-588	Lock Hinge, RH	1
16	HB-12-13-500	Hex Bolt, $\frac{1}{2}$ - 13 x 5	2
	HNTL-12-13	Lock Nut, $\frac{1}{2}$ - 13	2
17	30-258	1" 10-14ga Ribbed Plug	10
18	17-632	Boom Hinge Complete	2
	HB-38-16-100	Hex Bolt, $\frac{3}{8}$ - 16 x 1	16
	HNFL-38-16	Flange Whiz-loc Nut, $\frac{3}{8}$ - 16	16
19	30-185	Arm Pivot Hinge	2
	HG-14-28-180	Grease Fitting, $\frac{1}{4}$ - 28 x 180°	2
	76-128	Bushing (part of 30-185)	4
20	17-597	Torsion Spring, RH	1
21	HB-38-16-175	Hex Bolt, $\frac{3}{8}$ - 16 x $1\frac{3}{4}$	2
	HNFL-38-16	Flange Whiz-loc Nut, $\frac{3}{8}$ - 16	4
22	17-589	Limit Hinge, RH	1
23	17-596	Hinge Pin w/Spacer	2
	HP-18-100	Cotter Pin, $\frac{1}{8}$ x 1	2
24	17-598	Torsion Spring, LH	1
25	HB-38-16-100	Hex Bolt, $\frac{3}{8}$ - 16 x 1	2
	HW-38	Flat Washer, $\frac{3}{8}$	2
	HNFL-38-16	Flange Whiz-loc Nut, $\frac{3}{8}$ - 16	2
26	HB-516-18-100	Hex Bolt, $\frac{5}{16}$ - 16 x 1	2
	HNFL-516-18	Flange Whiz-loc Nut, $\frac{5}{16}$ - 18	2
27	HB-38-16-100	Hex Bolt, $\frac{3}{8}$ - 16 x 1	6
	HW-38	Flat Washer, $\frac{3}{8}$	6
	HNFL-38-16	Flange Whiz-loc Nut, $\frac{3}{8}$ - 16	6
28	30-184	Ram Mount	2
	HN-38-16	Nut, $\frac{3}{8}$ - 16 (on adjustment nuts)	4
29	HB-12-13-300	Hex Bolt, $\frac{1}{2}$ - 13 x 3	2
	HNTL-12-13	Lock Nut, $\frac{1}{2}$ - 13	2
30	HB-516-18-100	Hex Bolt, $\frac{5}{16}$ - 18 x 1	8
	HW-516	Flat Washer, $\frac{5}{16}$	8
	HNFL-516-18	Flange Whiz-loc Nut, $\frac{5}{16}$ - 18	8

(Continued on next page)

17-601 15' HD BOOM DRAWING



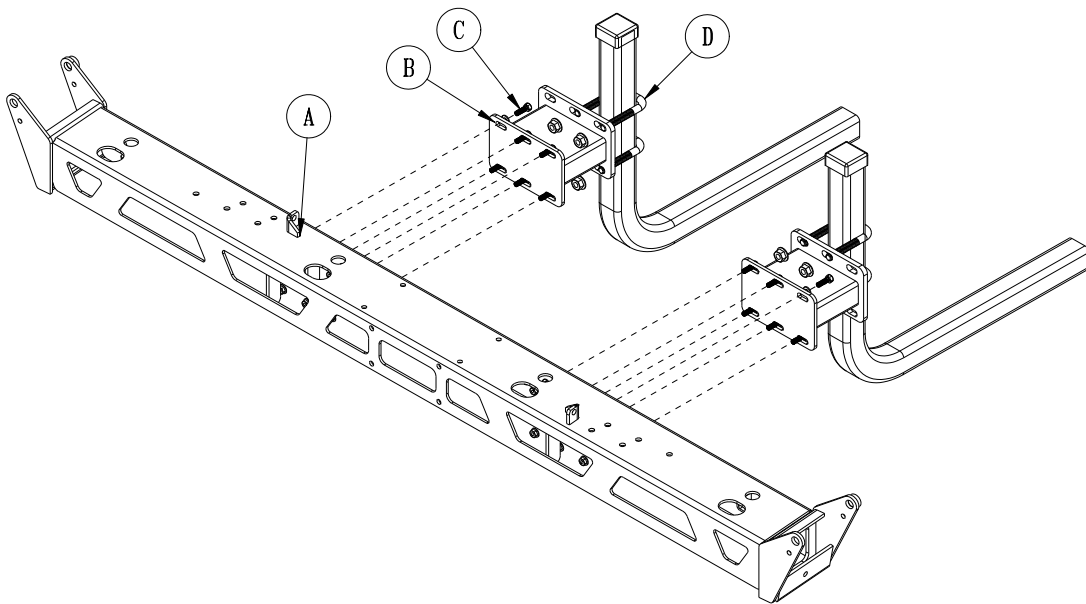
Accessories

17-601 15' HD BOOM PARTS LIST

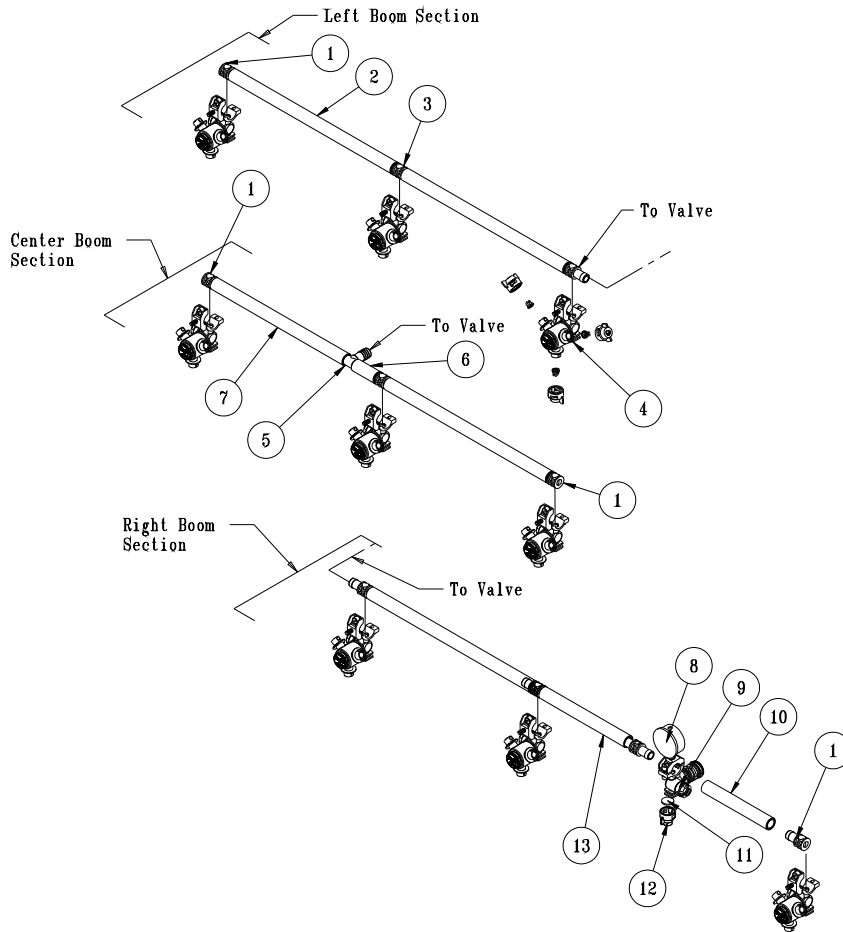
REF#	PART#	DESCRIPTION	QUANTITY
31	17-528	Boom Center	1
	25-334	Decal, Serial Tag	1
32	HBFL-516-18-075	Hex Bolt, $\frac{5}{16}$ - 18 x $\frac{3}{4}$	4
	HNFL-516-18	Flange Whiz-loc Nut, $\frac{5}{16}$ - 18	4
33	17-552	Right Boom Arm	1
34	17-636	Freshwater Mount	1
35	17-660	Clean Load Mount	1
	8803-13	Black Trim, 13"	
36	17-592	Lock Hinge, LH	1
37	17-593	Limit Hinge, LH	1
38	17-537	Square U-bolt	1
	HNCL-34-10	Center Lock Nut, $\frac{3}{4}$ -10	4

BOOM MOUNT TO TRUCK

REF#	PART#	DESCRIPTION	QUANTITY
A		Center Boom Mount	1
B	17-614	Boom Spacer	2
C	HB-516-18-100	Hex Bolt, $\frac{5}{16}$ -18 x 1	12
	HNTL-516-18	Lock Nut, $\frac{5}{16}$ -18	12
D	20-555	U-Bolt	4
	HNFL-12-13	Flange Whiz-loc Nut, $\frac{1}{2}$ - 13	8

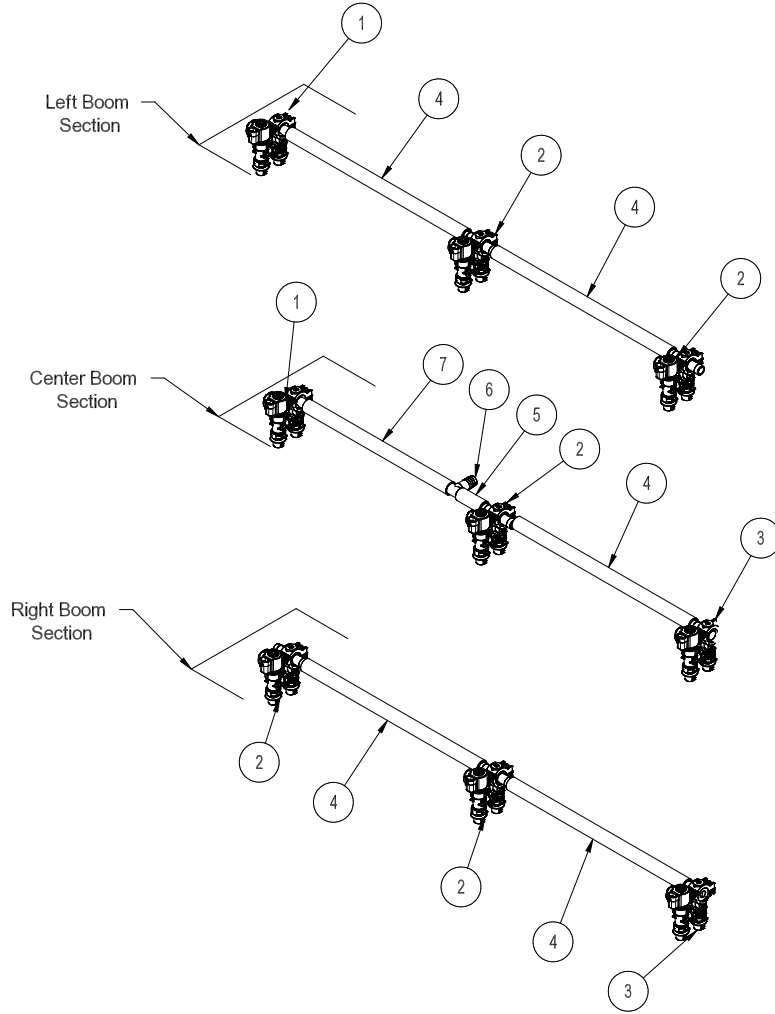


17-601 15' HD SUPER BOOM 1102/1104 PLUMBING



REF#	PART#	DESCRIPTION	QUANTITY
1	18-417	Single Barb	4
2	9032-19	Black Hose 3/4" x 19"	4
	18-040	Hose Clamp	8
3	18-416	Double Barb	6
4	33-506	Nozzle body (see nozzle drawing)	9
5	18-415	3/4" Hose Barb	1
6	9032-2.5	Black Hose 3/4" x 2 1/2"	1
	18-040	Hose Clamp	2
7	9032-15.5	Black Hose 3/4" x 15 1/2"	1
	18-040	Hose Clamp	2
8	16-281	Gauge	1
9	17-602	Nozzle Body	1
10	9032-5	Black Hose 3/4" x 5"	1
	18-040	Hose Clamp	2
11	16-800	Gasket	1
12	16-921	Cap	1
13	9032-13	Black Hose 3/4" x 13"	1
	18-040	Hose Clamp	2

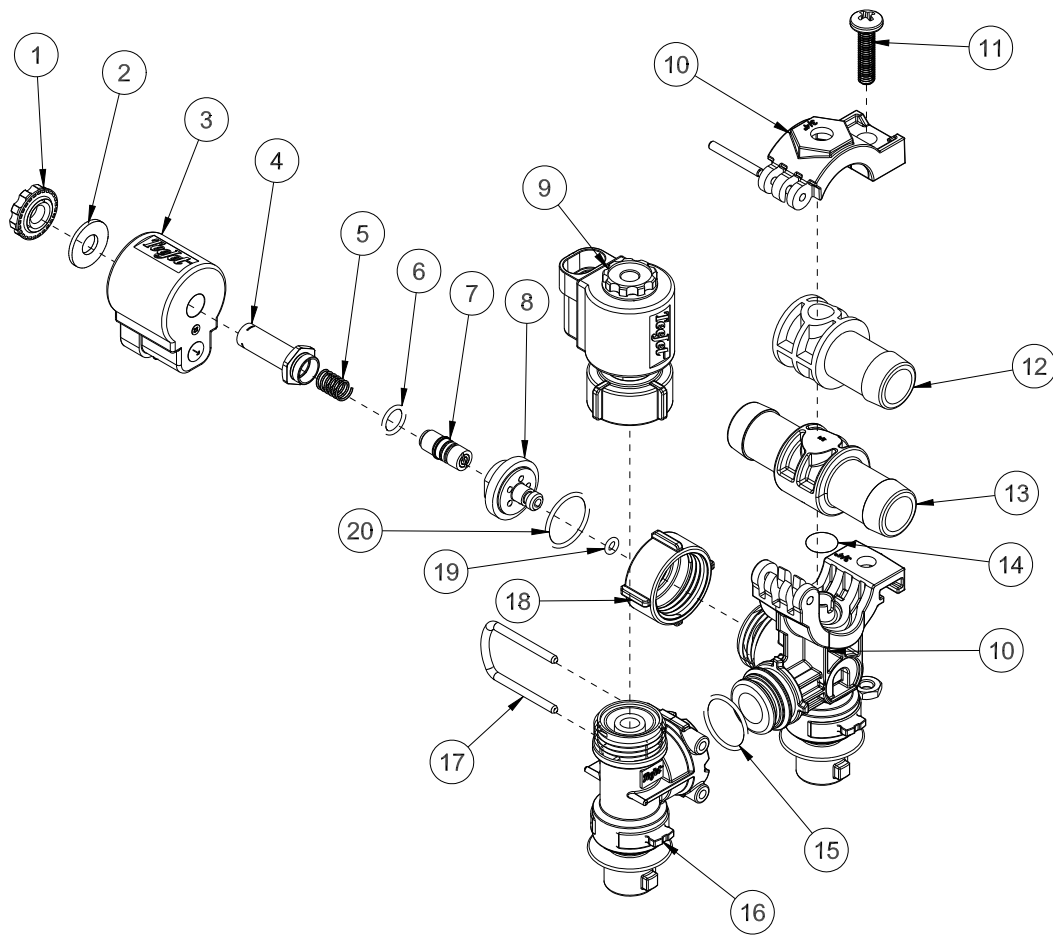
17-601 15' HD SUPER BOOM 1105 PLUMBING



REF#	PART#	DESCRIPTION	QUANTITY
1	20-675	Single Hose Barb - Right Orientation	2
2	20-673	Single Hose Barb	5
3	20-674	Single Hose Barb - Left Orientation	2
4	9032-19	Black Hose $\frac{3}{4}$ " x 19"	5
	18-040	Hose Clamp	10
5	9032-2.5	Black Hose $\frac{3}{4}$ " x 2 $\frac{1}{2}$ "	1
	18-040	Hose Clamp	2
6	18-415	$\frac{3}{4}$ " Hose Barb	1
7	9032-15.5	Black Hose $\frac{3}{4}$ " x 15 $\frac{1}{2}$ "	1
	18-040	Hose Clamp	2

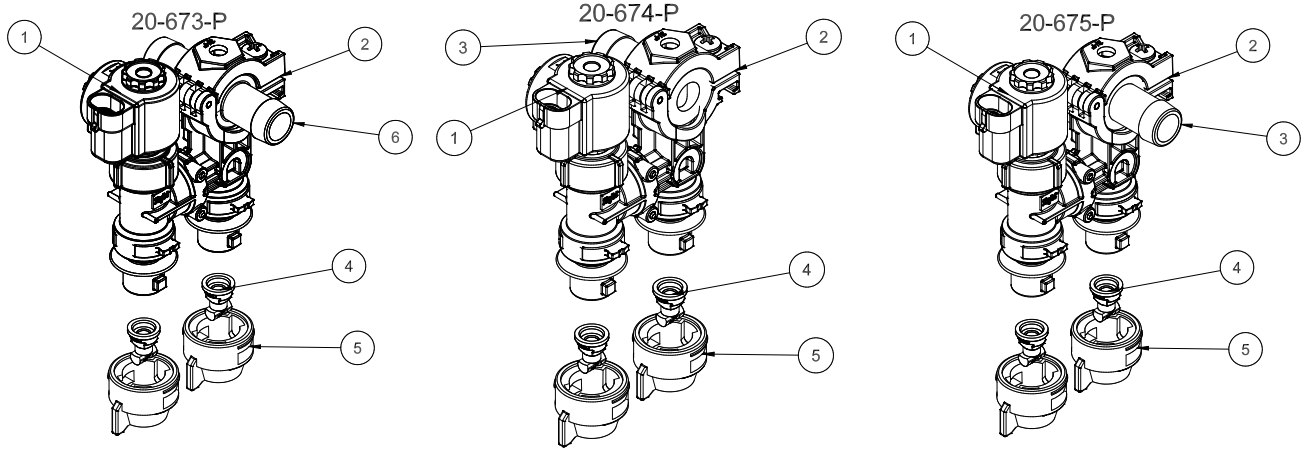
Accessories

1105/1108 NOZZLE DRAWING



REF#	PART#	DESCRIPTION	QUANTITY
1		Nylon Black Nut	1
2		303 Stainless Steel Washer	1
3	20-673-09	12V Coil Assembly	1
4		Tube Sub Assembly	1
5*		302 Stainless Steel Spring	1
6*		Viton O ring	1
7*		Plunger	1
8		303 Stainless Steel Cap	1
9	20-673-02	E-Chemsaver Solenoid	1
10	20-673-04	3/4" Mount Assembly	1
11		Pan Head Screw	1
12	18-417	Single Barb (part of 20-674-P and 20-675-P)	1
13	18-416	Double Barb (part of 20-673-P)	1
14	16-920-03	O ring	1
15	20-673-11	O ring	1
16	20-673-05	End Body Sub-assembly	1
17	20-673-08	Retaining Clip	1
18		Locking Ring	1
19*	20-673-07	Viton O ring	1
20*	20-673-06	Viton Gasket	1
*	20-673-01	Spare Parts Kit	

1105/1108 NOZZLE ASSEMBLY

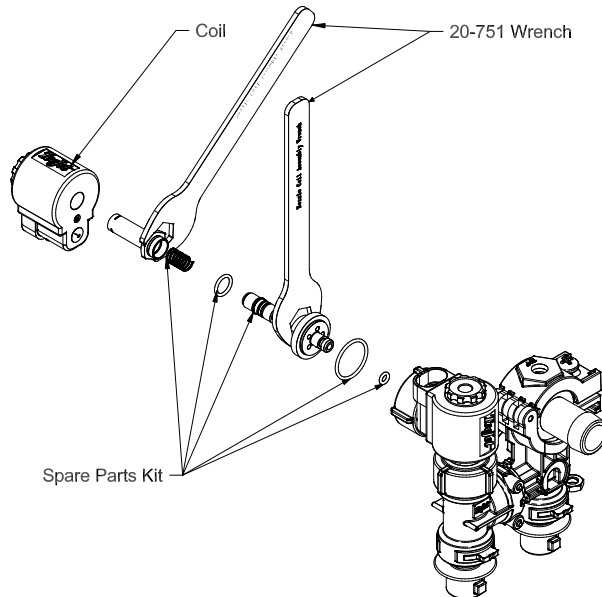


REF#	PART#	DESCRIPTION	QUANTITY
1*	20-673-02	E-Chemsaver®	1
2*	20-673-04	3/4" Bottom Mount Nozzle Body	1
3†	18-417	Single Barb	1
4	20-676	Turbo TeeJet Tip	2
5	20-677	QT White Cap and Washer	2
6‡	18-416	Double Hose Barb	1

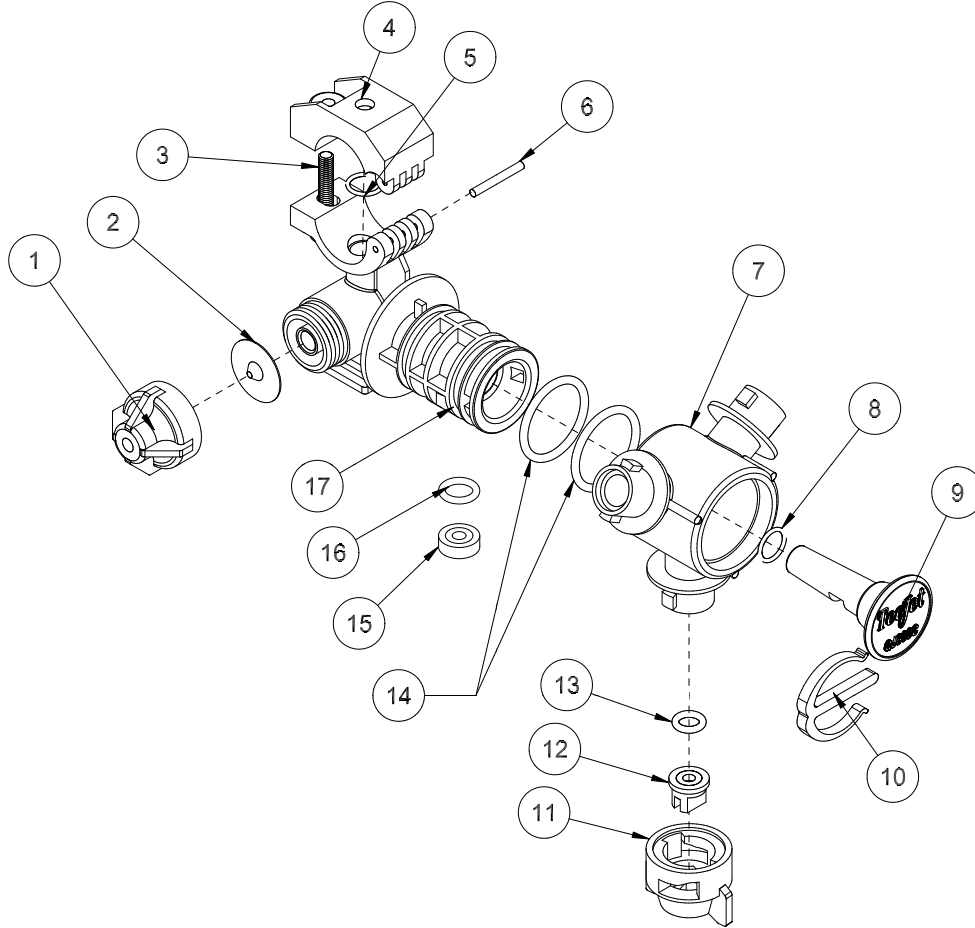
Quantity is per nozzle body. For 15' booms multiply quantity by 9.
 Quantity is per nozzle body. For 18' booms multiply quantity by 11.

20-673	Double Hose Barb Nozzle (includes * and ‡ item)	8 or 9
20-674	Single Hose Barb Left Orientation (includes * and † item)	2
20-675	Single Hose Barb - Right Orientation (includes * and † item)	2

Nozzles are located 20" (51 cm) apart on the right, left, and center tubes. Nozzles are 20" high off ground.



33-506 STANDARD NOZZLE DRAWING



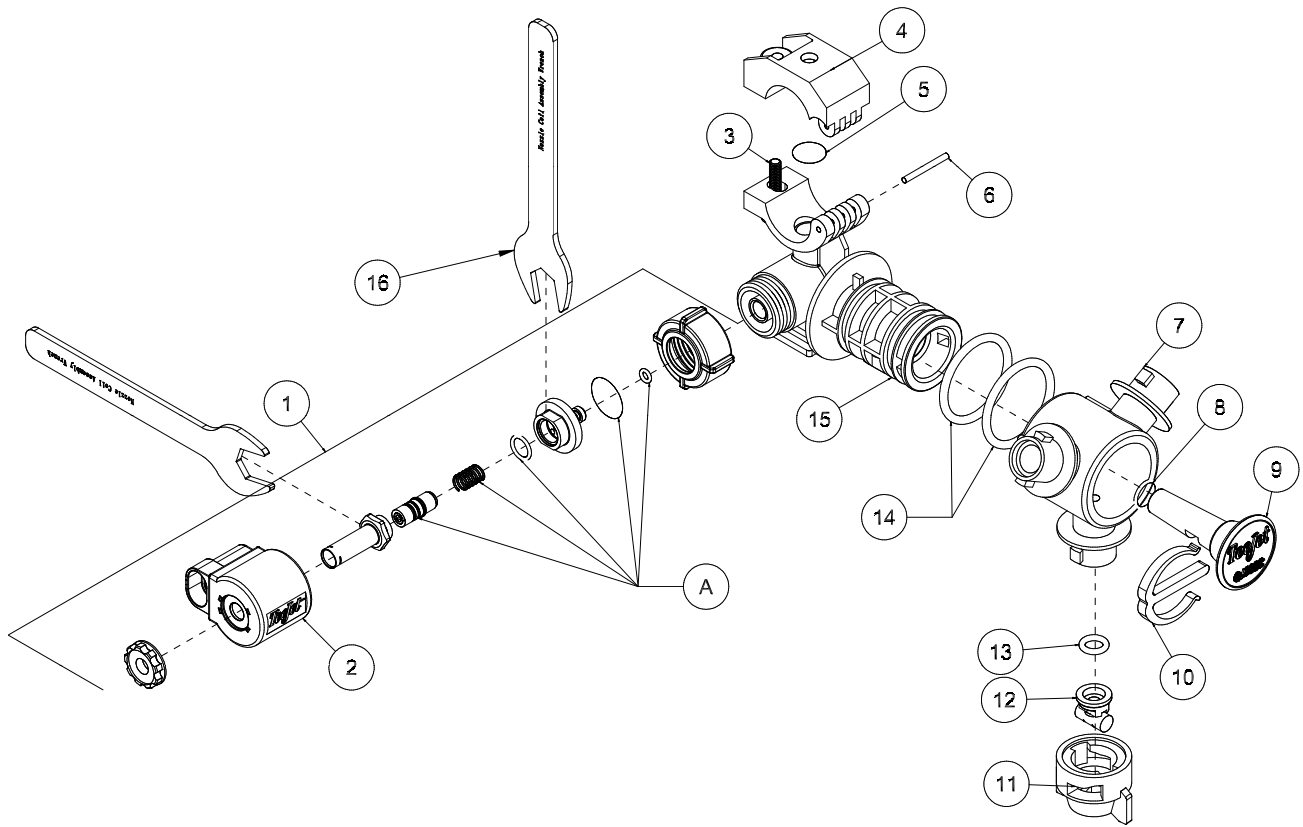
REF#	PART#	DESCRIPTION	QUANTITY
1*	16-988	Cap Assembly	1
2*	16-920-06	Diaphragm, EPDM	1
3*		Stainless Steel Screw	1
4*		Upper Clamp	1
5*	16-920-03	O-ring	1
6*		Pivot Pin, Stainless Steel	1
7*		Turret, 3-Outlet, Nylon	1
8*		O-ring, EPDM	1
9*		Plug	1
10*		E-clip	1
11	33-538	Cap - White	1
12	33-554	Nozzle Tip - White (XR11008-VS)	1
13	16-800	Viton Gasket	1
14*		O-ring, Teflon	2
15*		O-ring, Viton	1
16*		Seal, Viton Teflon Filled	1
17*	33-506	Body Assembly (includes all * items)	1

Quantity is per nozzle body. For 15' booms multiply quantity by 9.

Quantity is per nozzle body. For 18' booms multiply quantity by 11.

Nozzles are located 20" (51 cm) apart on the right, left, and center tubes. Nozzles are 20" high off ground.

20-807 NOZZLE 1115/1118 DRAWING



REF#	PART#	DESCRIPTION	QUANTITY
1	20-807-01	e-Chemsaver	1
2	20-673-09	12V Coil	1
3*		Stainless Steel Screw	1
4*		Upper Clamp	1
5	16-920-03	O-ring	1
6*		Pivot Pin, Stainless Steel	1
7*		Turret, 3-Outlet, Nylon	1
8*		O-ring, EPDM	1
9*		Plug	1
10*		E-clip	1
11	20-838	Cap - Gray	1
12	20-837	Turbo Twinjet Nozzle Tip, Cap & Gasket - Gray	1
13	16-800	Viton Gasket	1
14*		O-ring, Teflon	2
15*	33-506	Body Assembly (includes all * items)	1
A	20-807-02	Spare Parts Kit	

Quantity is per nozzle body. For 20' booms multiply quantity by 23.

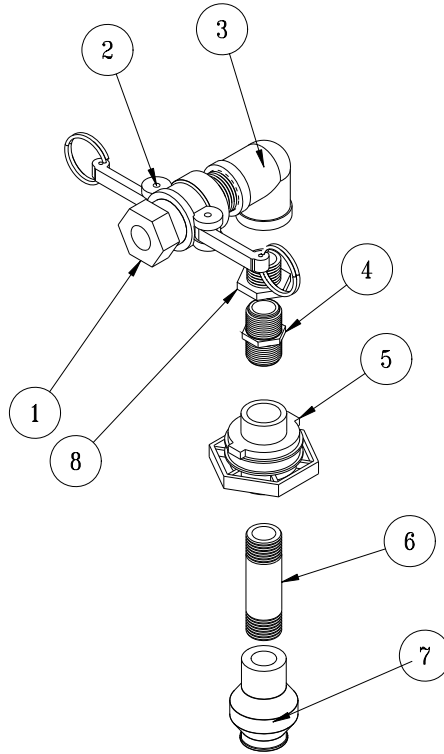
Quantity is per nozzle body. For 18' booms multiply quantity by 21.

Quantity is per nozzle body. For 15' booms multiply quantity by 17.

Nozzles are located 10" (25 cm) apart on the right, left, and center tubes.

Nozzles are 20" high off ground.

15-835 TANK RINSING DEVICE

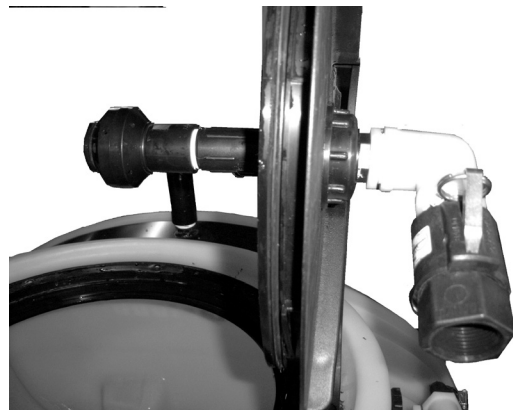


REF#	PART#	DESCRIPTION	QUANTITY
1	16-961	1" Adapter	1
2	16-962	1" Coupler	1
3	16-864	1" FTP Elbow	1
4	16-158	Close Nipple	1
5	16-150	Double Thread Fitting	1
6	16-172	4" Nipple	1
7	15-834	Tank Rinsing Nozzle	1
8	16-163	Reducer Bushing	1

Drill 1³/₄" hole 5" from outside edge of cover.

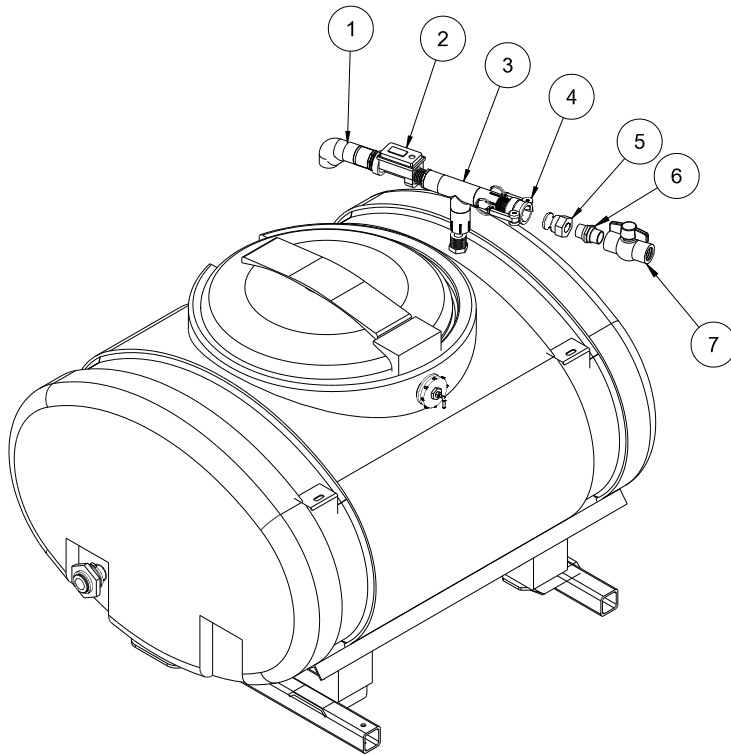
Install Tank Rinsing kit as shown, with the Double Thread Fitting (Ref 5) going into the cover.

Basket Must be removed During Use.



10-370 WATER FILL METER KIT - LITERS

10-365 WATER FILL METER KIT -GALLONS



REF #	PART #	DESCRIPTION	QUANTITY
1	14-524	Filler Outlet	1
2	14-514	Water Meter - Gallons	1
	14-527	Water meter - Liters	1
3	10-364	Filler Inlet	1
4	16-962	Quick Coupler (already on machine)	1
5	16-961	Quick Coupler (already on machine)	1
6	16-851	1" Nipple (already on machine)	1
7	18-448	1" Ball Valve (already on machine)	1

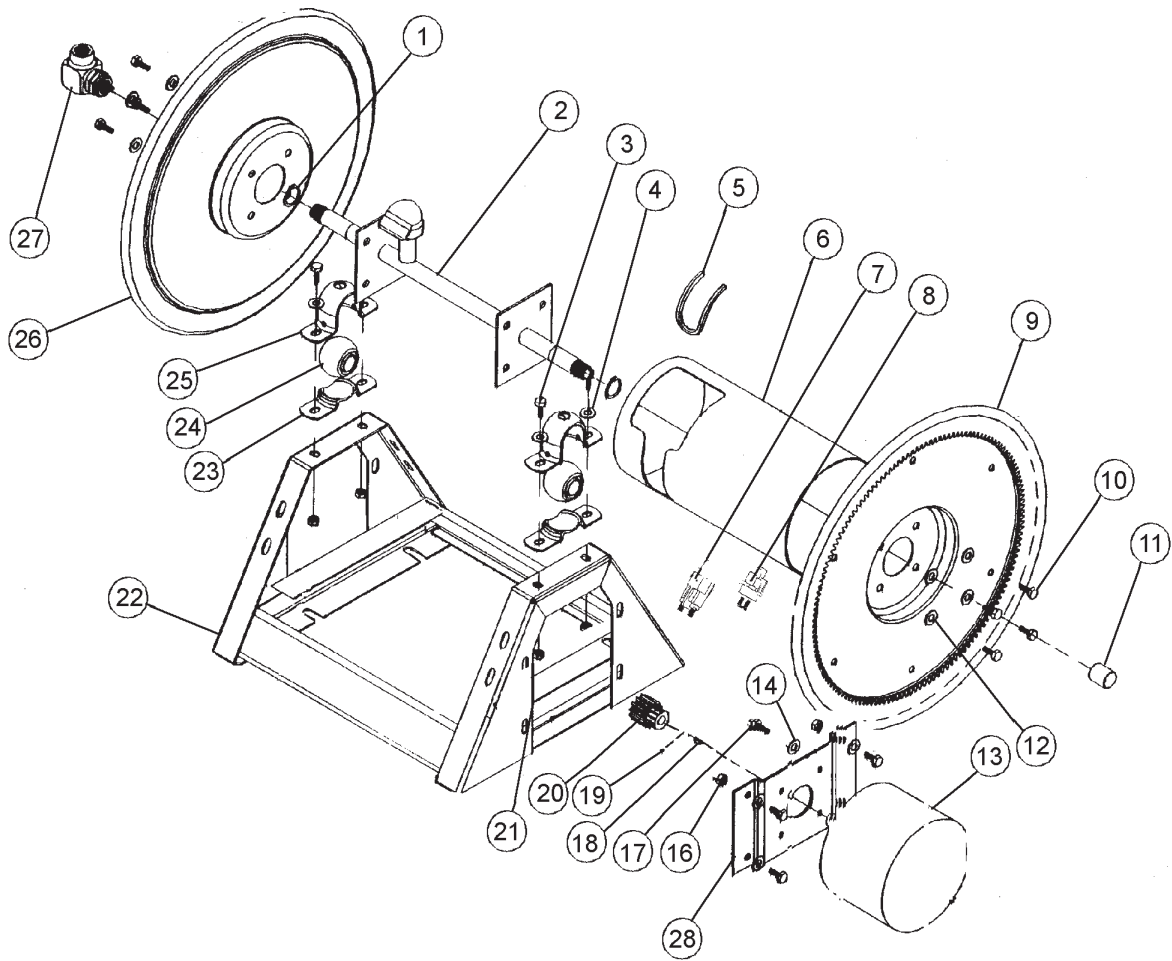
1. Thoroughly flush the service line upstream of the meter to remove dirt and debris.
2. Set meter in-line.
3. Make sure the water flow follows the arrow cast on the meter body.
4. The DLJ Meter is for use **only** with **COLD WATER** up to 122°F (50°C)
5. Slowly open any upstream valves to prevent damage to the meter.

Gallons to Cubic feet Conversion :

Multiply gallons reading by 0.1337 to get cubic feet.

There are 7.48052 gallon per cubic foot.

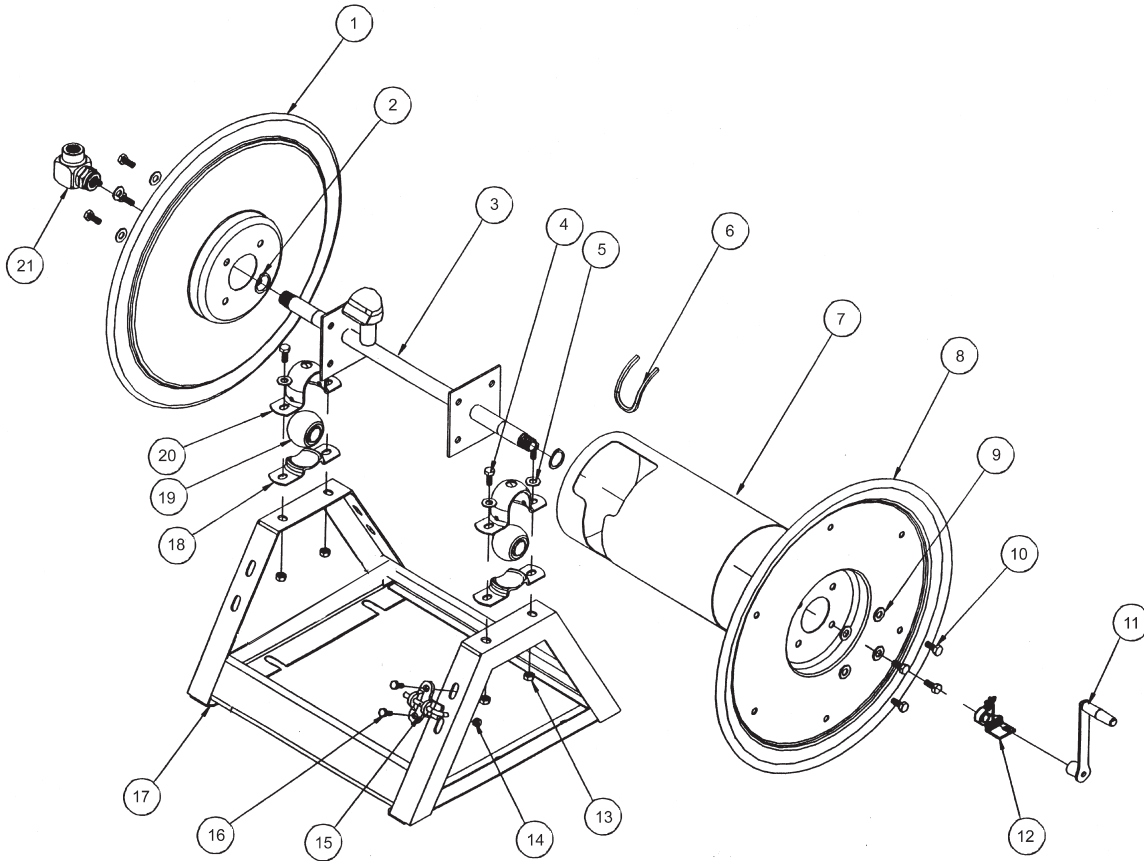
16-906 ELECTRIC HOSE REEL DRAWING



16-906 ELECTRIC HOSE REEL PARTS LIST

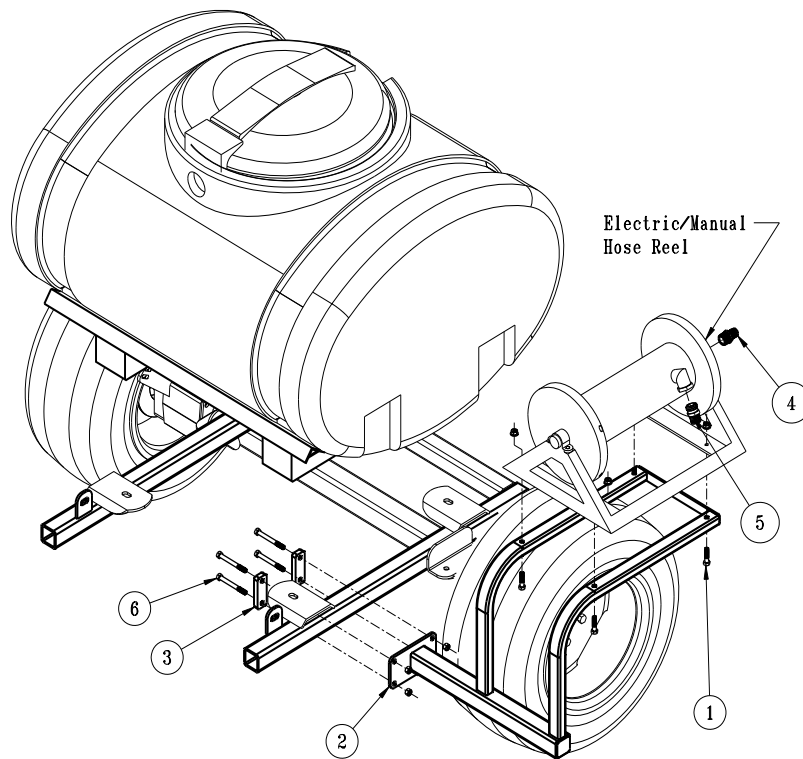
REF#	PART#	DESCRIPTION	QUANTITY
1	16-906-25	Retaining Ring	2
2	16-906-22	Axle Assembly	1
3	HB-38-16-100	Hex Bolt, $\frac{3}{8}$ - 16 x 1	4
4	HW-38	Flat Washer, $\frac{3}{8}$	4
5	16-906-27	Trim, Drum Edge	1
6	16-906-21	Drum Center	1
7	13-750	Solenoid	1
	HB-14-20-075	Hex Bolt, $\frac{1}{4}$ - 20 x $\frac{3}{4}$	2
	HWL-14	Lockwasher, $\frac{1}{4}$	2
	HN-14-20	Hex Nut, $\frac{1}{4}$ - 20	2
8	33-251	Switch	1
9	16-906-19	Disc and Gear Assembly	1
10	HB-516-18-075	Hex Bolt, $\frac{5}{16}$ - 18 x $\frac{3}{4}$	8
11	16-906-26	Pipe Cap, $\frac{3}{4}$	1
12	HWL-516	Lockwasher, $\frac{5}{16}$	8
13	16-906-15	Motor 12VDC	1
14	HW-516	Flat Washer, $\frac{5}{16}$	4
16	HNTL-516-18	Lock Nut, $\frac{5}{16}$ - 18	4
17	HB-516-18-100	Hex Bolt, $\frac{5}{16}$ - 18 x 1	4
18	16-906-17	Key	1
19		Set Screw	2
20	16-906-29	Pinion	1
21	HNTL-38-16	Lock Nut, $\frac{3}{8}$ - 16	4
22	16-906-18	Frame Assembly	1
23	16-906-08	Mounting Pillow Block (Bottom)	2
24	16-906-24	Bearing	2
25	16-906-07	Mounting Pillow Block (Top)	2
26	16-906-20	Disc, 17 $\frac{1}{2}$	1
27	16-906-23	Swivel Assembly, $\frac{3}{4}$	1
	16-906-30	Seal Kit (For 16-906-23)	1
28	16-906-28	Bracket 12VDC	1
	16-982	Electric Hose Reel (only)	1

16-129 MANUAL HOSE REEL DRAWING



REF#	PART#	DESCRIPTION	QUANTITY
1	16-129-11	Disc, 17 ¹ / ₂	1
2	16-906-25	Retaining Ring	2
3	16-906-22	Axle Assembly, ³ / ₄	1
4	HB-38-16-100	Hex Bolt, ³ / ₈ - 16 x 1	4
5	HW-38	Flat Washer, ³ / ₈	4
6	16-906-27	Trim, Drum Edge	1
7	16-906-21	Drum Center	1
8	16-906-20	Disc, 17 ¹ / ₂ Crank Side	1
9	HWL-516	Lockwasher, ⁵ / ₁₆	8
10	HB-516-18-075	Hex Bolt, ⁵ / ₁₆ - 18 x ³ / ₄	8
11	16-129-09	Crank Assembly, ³ / ₄	1
12	16-129-10	Brake Assembly, ³ / ₄	1
13	HNTL-38-16	Lock Nut, ³ / ₈ - 16	4
14	HNTL-516-18	Lock Nut, ⁵ / ₁₆ - 18	2
15	16-129-08	Lock Pin Assembly	1
16	HB-516-18-075	Hex Bolt, ⁵ / ₁₆ - 18 x ³ / ₄	2
	HW-516	Flat Washer, ⁵ / ₁₆	2
17	16-129-07	Frame Assembly	1
18	16-906-08	Mounting Pillow Block (Bottom)	2
19	16-906-24	Bearing	2
20	16-906-07	Mounting Pillow Block (Top)	2
21	16-906-23	Swivel Assembly, ³ / ₄	1
	16-906-30	Seal Kit (For 16-906-23)	1

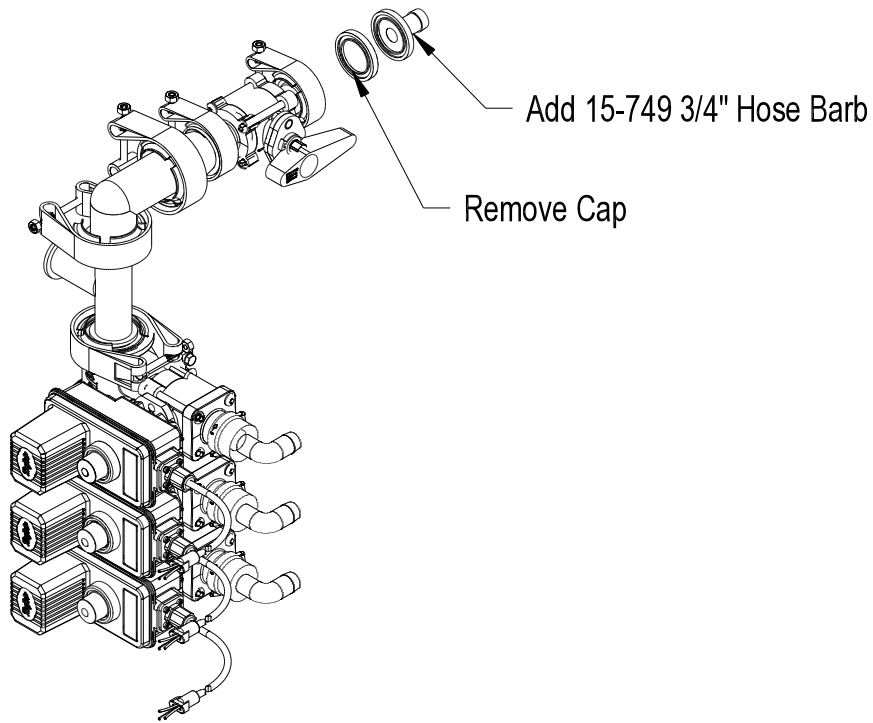
10-422 HOSE REEL MOUNT



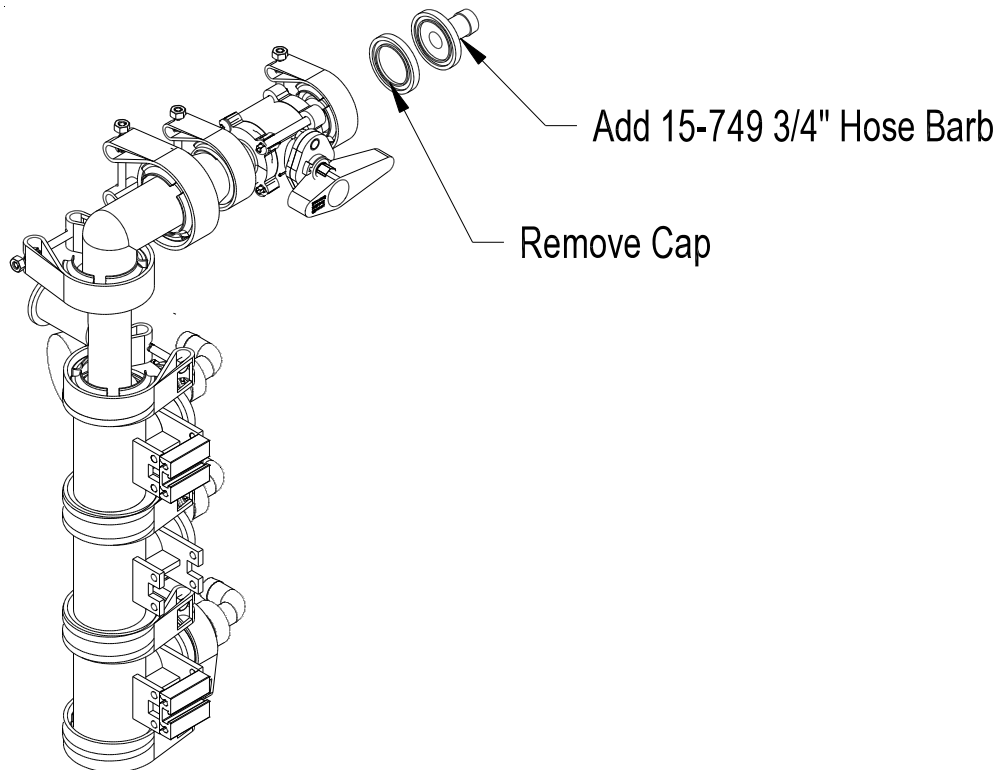
REF#	PART#	DESCRIPTION	QUANTITY
1	HB-516-18-150	Hex Bolt, $\frac{5}{16}$ - 18 x $1\frac{1}{2}$	4
	HNTL-516-18	Lock Nut, $\frac{5}{16}$ - 18	4
2	10-423	Hose Reel Mount	1
3	10-559	Support	2
4	18-249	Barb Fitting	1
5	16-295	Hose Fitting	1
6	HB-38-16-350	Hex Bolt, $\frac{3}{8}$ - 16 x $3\frac{1}{2}$	4
	HNTL-38-16	Lock Nut, $\frac{3}{8}$ - 16	4

1. Wear protective clothing when draining the tank and taking apart the lines.
2. Drain tank and spray system in a safe and approved method insuring that no chemical or water remain in tank as you will be taking apart lines.
3. Remove key from ignition, set park brake and block wheels.
4. Install hose reel mount on the left side of the machine in front of the rear wheel. Mount arms pointing to the rear of the machine.
5. Use the four(4) $\frac{3}{8}$ Hex Bolts and Lock Nuts to secure the mount to the machine.
6. Put hose reel on hose reel bracket with fitting to the rear of machine. Use four bolts $\frac{5}{16}$ - 18 x $1\frac{1}{2}$ and four $\frac{5}{16}$ - 18 lock nuts to hold in place. Tighten bolts.
7. Put 18-249 barb fitting into side of hose reel. Place 16-295 Fitting into center of hose reel. Run 55" hose from the 18-249 to the 15-749 hose barb.

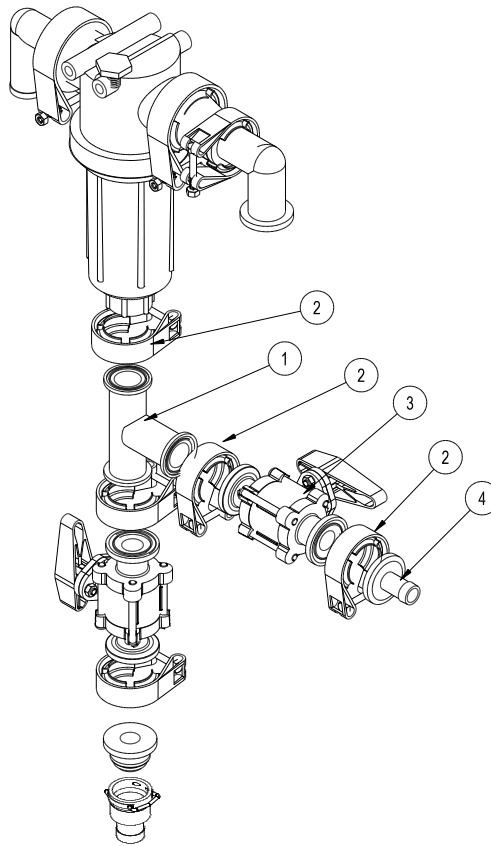
1102 & 1104 HOSE REEL PLUMBING DRAWING



STAR COMMAND I & II HOSE REEL PLUMBING DRAWING



1101 MANUAL HOSE REEL PLUMBING DRAWING

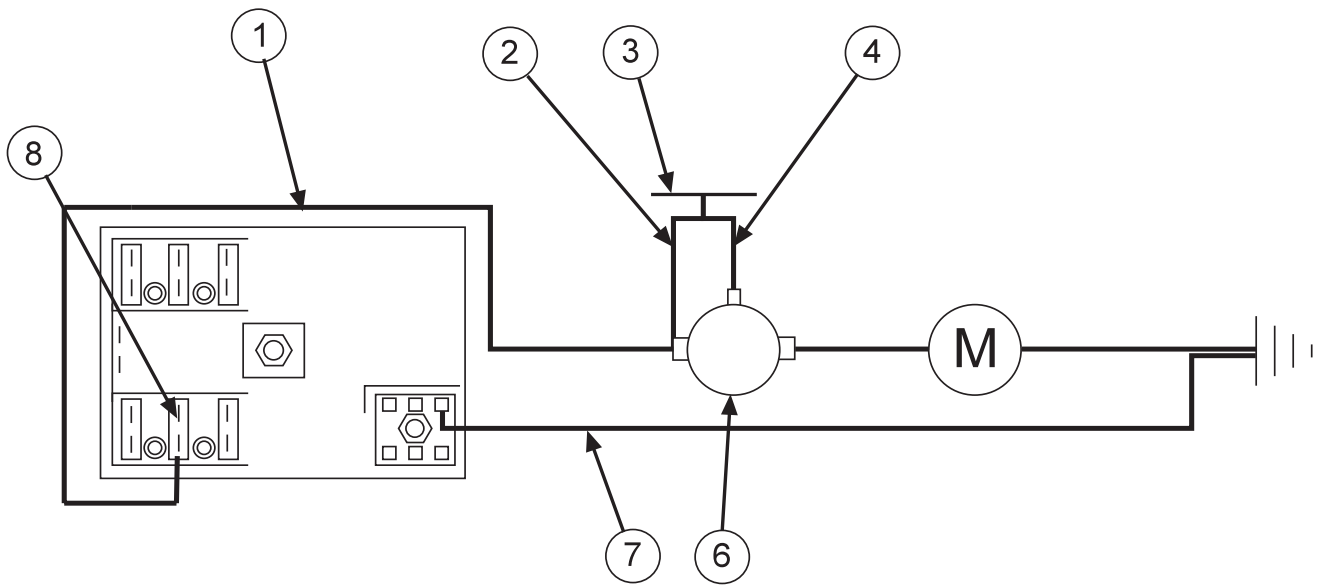


REF#	PART#	DESCRIPTION	QUANTITY
1	15-776	Tee	1
2	15-740	50 Series Clamp	3
3	15-738	Ball Valve	1
4	15-749	Hose Barb	1

INSTALLATION INSTRUCTIONS

1. Disconnect the ball valve from the bottom of the filter assembly. Install tee fitting (15-776) between the ball valve and the elbow. Use the clamp that was removed and one of the new ones provided. Only tighten clamps enough so it can be rotated.
2. Install hose barb (15-749) onto the ball valve (15-738) using a 50 series clamp (15-740) Tighten clamp. Install the ball valve/hose barb to the tee (15-776) that was installed in step 1 using a 50 series clamp (15-740).
3. Rotate the tee fitting so the valve points toward the outside of the machine. Tighten all clamps.
4. Route the 3/4" Black hose from the hose barb you installed in step 2 to the hose barb on the hose reel. Secure with 18-040 Hose clamps.
5. When installing the hose reel with a manual spray system you will have parts left over that you will not need.

ELECTRIC HOSE REEL WIRING DIAGRAM



REF#	PART#	DESCRIPTION	QUANTITY
1	8843-132	Flex guard $\frac{3}{8}$ ID	1
	8919-144	10GA Red Wire 144"	1
	8901	Slide-On Connector	1
2	16-979	Wire, Switch to Solenoid Hot Terminal	1
3	33-251	Push Button Switch	1
4	16-978	Wire, Switch to Solenoid Start Terminal	1
6	12-015	Solenoid	1
SOLENOID TERMINALS			
7	HN -516-24	$\frac{5}{16}$ - 24 Hex Nut	2
	HN -10-32	10 - 32 Hex Nut	1
8	8931-144	10GA White Wire 144"	1
	8901	Slide-On Connector	1
	33-273	Auto Blade Type Fuse 30Amp	1

CONNECTION INSTRUCTIONS

Route wire harness along side of tank and over to fuse block taking care to stay clear of moving parts or hot engine components. Cut off excess wire and strip back $\frac{3}{8}$ ". Place one 8963 heat shrink ($\frac{1}{4} \times 1\frac{1}{4}$ ") on each wire before crimping 8901 slide on connectors to the red and white wires. Connect the two wires to the fuse block first the red to the (+) positive and the white to the (-) negative. Put the 33-273 auto blade type fuse (30 amp) into fuse block.

⚠ WARNING

Make certain you are connecting positive (+) to positive; negative (-) to negative while attaching power leads. If you do not observe polarity, damage will result to electrical components.

Use Dielectric Grease On All Electrical Connections

HOSE REEL ADJUSTMENTS

OPERATIONAL CHECK:

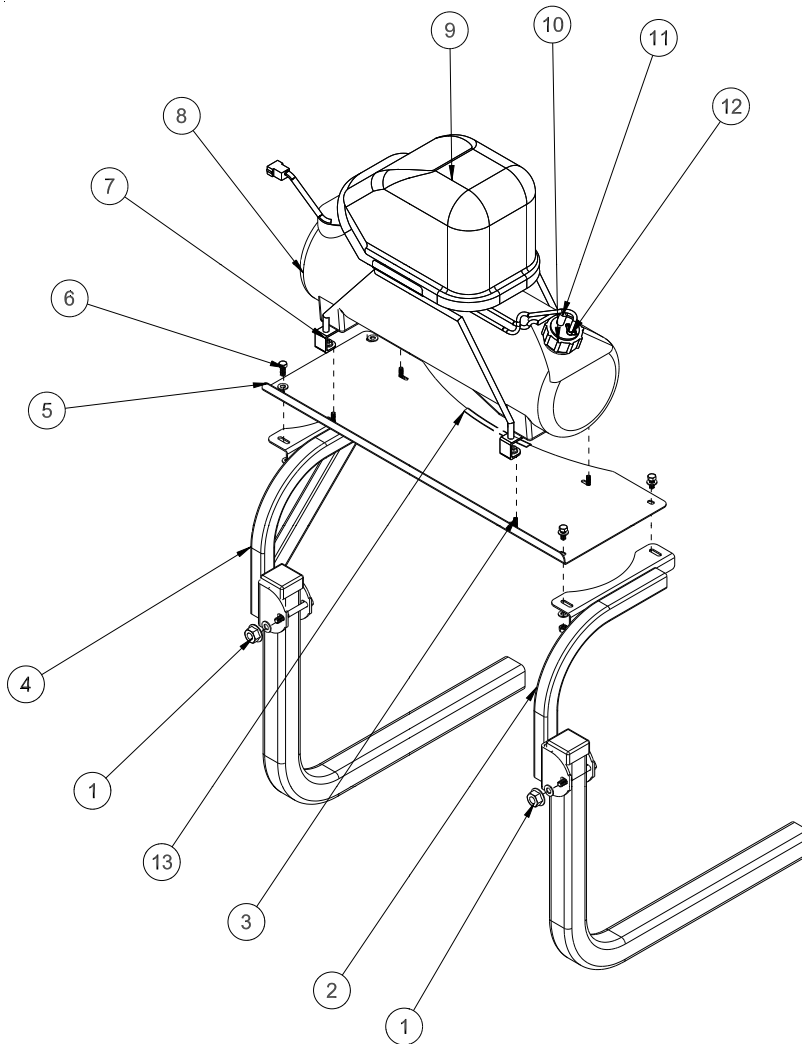
1. Pull hose off drum at least one full revolution. A clicking noise should be heard from locking mechanism.
2. Let the hose retract.
3. Pull the hose off until the first click is heard. Drum should lock when the hose tension is removed.
4. Continue pulling the hose, no more than one revolution, until no clicking is heard. Hose should rewind when tension is removed.

HOSE REPLACEMENT PROCEDURE:

1. Facing swivel, turn the hose drum clockwise until all of the hose is removed from the drum and the drum is held by locking mechanism. Make sure spring is locked.
2. Remove hose clamps and disconnect hose from swivel. Remove old hose.
3. Insert new hose through roller guide, connect to swivel and reinstall hose clamps. Use spring guard over hose to protect the hose from being cut by the drum.
4. Remove check ball from old hose and install on replacement hose.
5. Carefully, keeping the tension on the hose, pull the hose to release the locking mechanism. Let the hose wind on the drum.

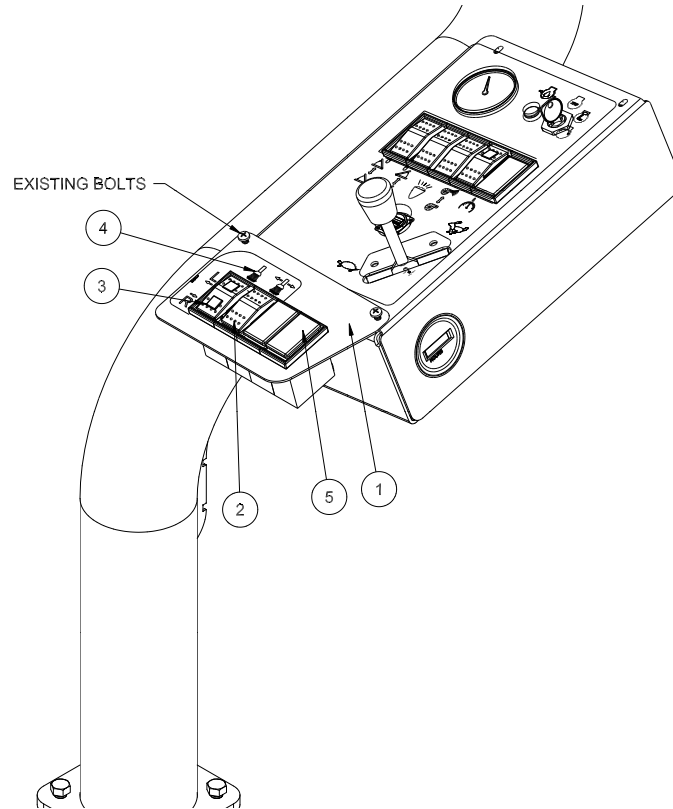
Use Dielectric Grease On All Electrical Connections

10-740 FOAM MARKER TANK MOUNT



REF#	PART#	DESCRIPTION	QUANTITY
1	HNTL-38-16	Lock Nut, $\frac{3}{8}$ - 16	2
	HW-38	Flat Washer, $\frac{3}{8}$	4
	HB-38-16-300	Hex Bolt, $\frac{3}{8}$ - 16 x 3	2
2	20-723	RH Bracket	1
3	HB-14-20-075	Hex Bolt, $\frac{1}{4}$ -20 x $\frac{3}{4}$	4
	HNFL-14-20	Flange Whiz-loc Nut, $\frac{1}{4}$ -20	4
4	20-726	LH Bracket	1
5	10-645	Foamer Plate	1
6	HB-516-18-075	Hex Bolt, $\frac{5}{16}$ - 18 x $\frac{3}{4}$	4
	HW-516	Flat Washer, $\frac{5}{16}$	4
	HNFL-516-18	Flange Whiz-loc Nut, $\frac{5}{16}$ - 18	4
7*	14-291-04	Tank Bracket	2
8*	14-291-02	Foamer Tank	1
9*	14-291-03	Compressor Only	1
	14-291-01	Black Cover	1
10*	14-284-02	Cap Assembly	1
11*		Clear Tube	1
12*		Blue Tube	1
13	8803-6	Black Trim	1
*	14-291	Foamer (includes parts 7-13)	1

10-740 FOAM MARKER CONTROL PANEL



REF#	PART#	DESCRIPTION	QUANTITY
1	10-739	Switch Mount Plate	1
	15-725	Panel Mount End	2
2	15-782	Switch, Unlit	1
	15-727	Rocker, No Light	1
3	15-918	Switch, 2 Red LED	1
	15-917	Rocker, 2 Red Lenses	1
4	30-374	Decal, Foamer	1

WARNING

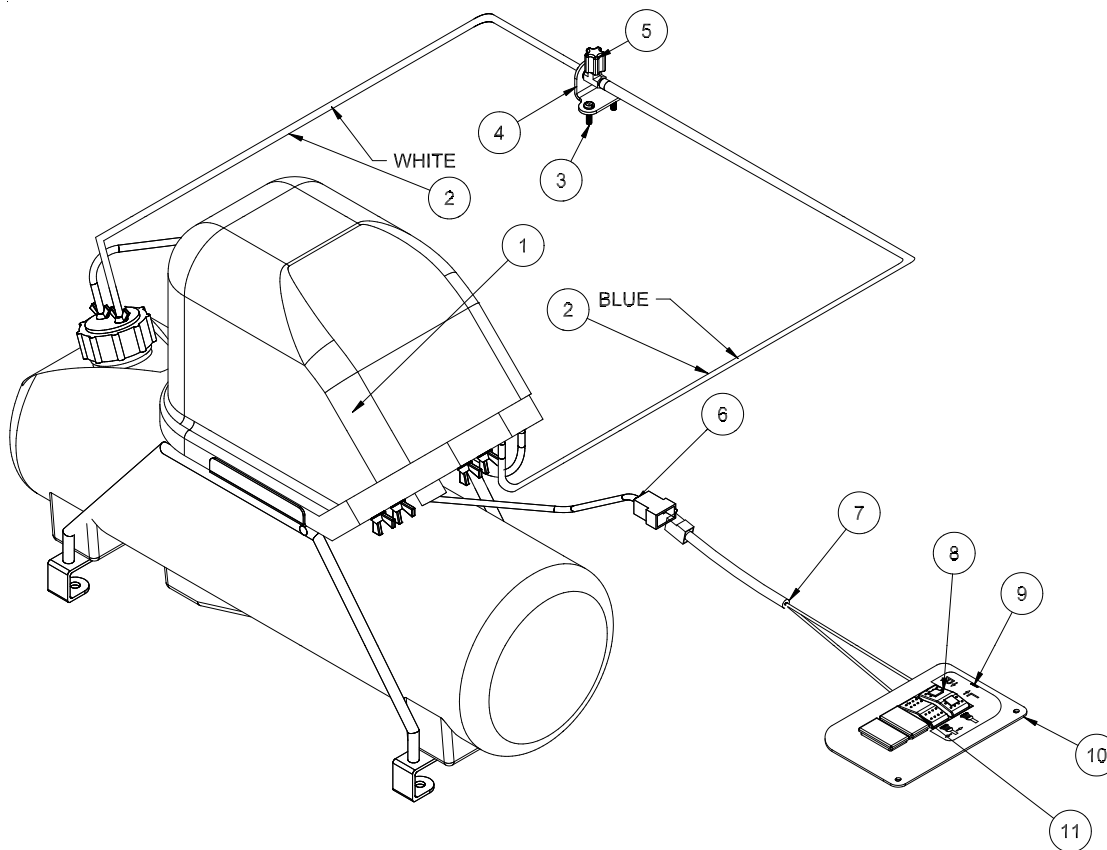
Safety: Before working on machine stop engine, set park brake, remove key from ignition and block wheels. Disconnect negative (-) battery terminal.

1. Place decal(Ref 4) on Switch mount plate. Place panel mount ends in mount plate.
2. Mount switches (Ref 2 & 3) to switch mount plate (Ref 1) as shown above. Mount the switch mount plate(Ref 1) on the side control panel using existing bolts.

Tank Mount Drawing

3. Position the right and left hand mount brackets(Ref 2 and 4) on the boom tubes facing the front of the machine, using two $\frac{5}{16}$ x 3 bolts. Install the foamer plate (Ref 5) on the right and left bracket with curve towards poly spray tank.
4. Place the piece of trim (Ref 13) on the foamer bracket to prevent rubbing of hoses for a cleanload system.
5. Place foamer unit onto mount plate, with cap facing to the right side of machine. Using $\frac{1}{4}$ bolts and flange nuts, bolt foam marker to mount plate. The left rear mount of the foamer will bolt through the mount plate and brace. Tighten all hardware.
6. Make sure all bolts are tightened.

FOAM MARKER WIRING



REF#	PART#	DESCRIPTION	QUANTITY
1	14-291-03	Compressor	1
2	15-507	Tubing -Blue and white	1
3	HSM-10-32-075	Machine Screw, #10-32 x 3/4	2
	HNFL-10-32	Flange Whiz-loc Nut, #10-32	2
4	20-769	Mount Bracket	1
5	14-699	Male Coupler	1
	14-291-09	Blue Fly Nut	1
	14-702	Red Washer	1
6	15-504-04	Foam Marker Wiring Harness	1
7	32-574	Foamer Wire Harness	1
8	15-918	Switch, 2 Red LED	1
	15-917	Rocker, 2 Red Lenses	1
9	30-374	Decal, Foamer	1
10	10-739	Switch Mount Plate	1
11	15-782	Switch, Unlit	1
	15-727	Rocker, No Light	1

INSTALLATION

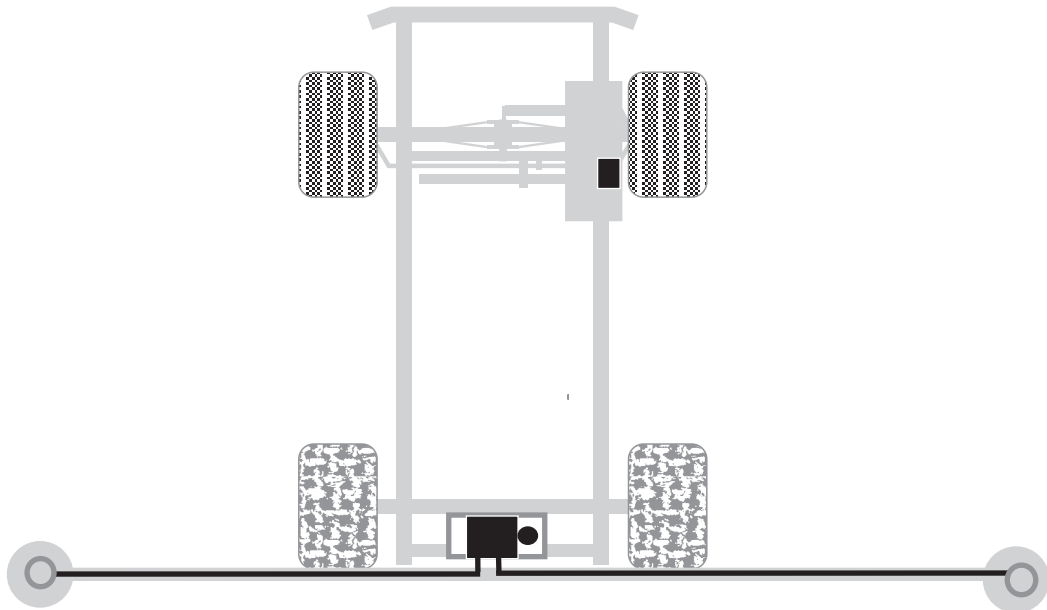
1. Connect the compressor wire harness (Ref 6) to the switches using the wire harness (Ref 7).
2. Use dielectric grease on all electrical connections. Route the wire harness to the battery and out of the way of any heat or moving parts. Use nylon ties as needed. Connect the wire harness to the battery. Red to positive(+), black to negative(-).

HOSES

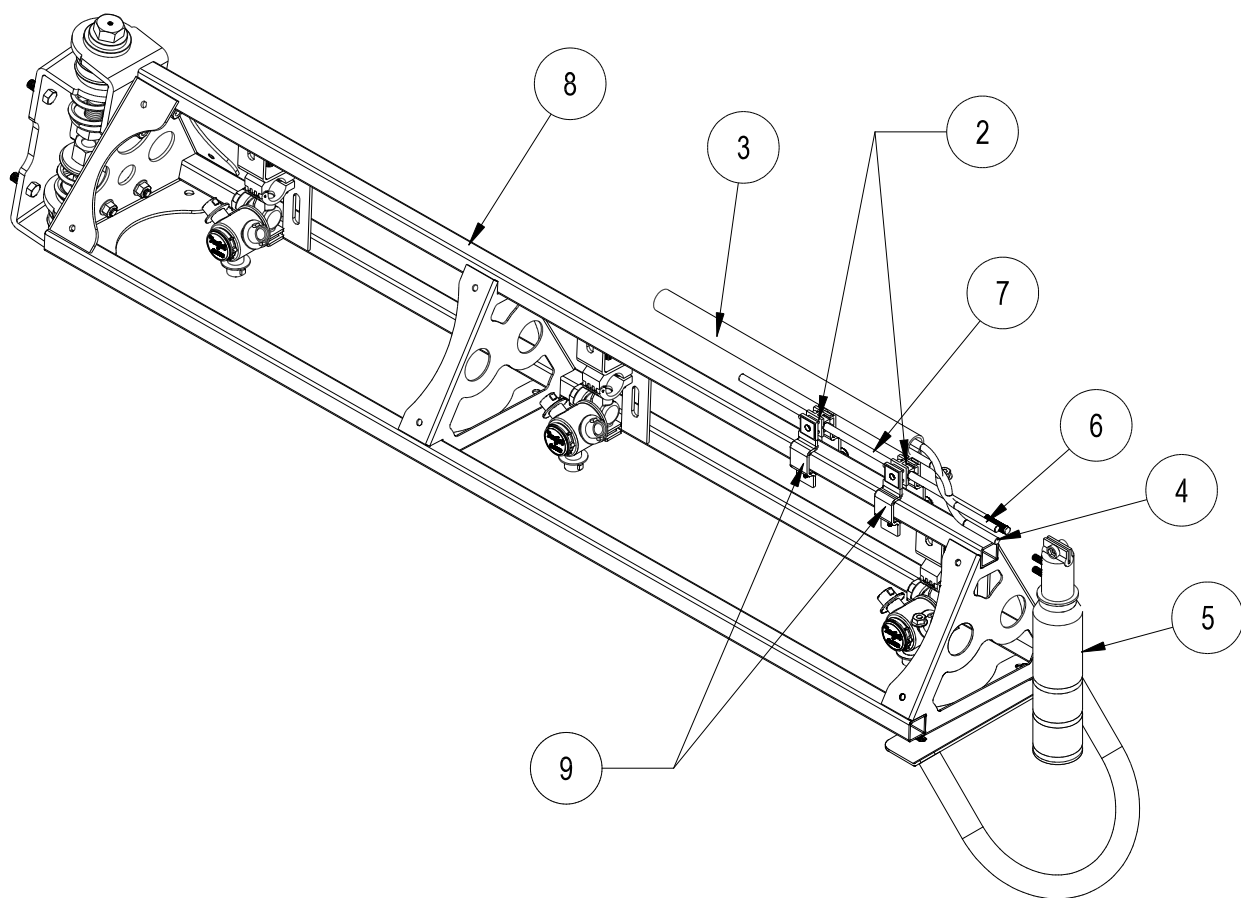
Being careful not to cut the tubing, cut the over-sleeve back approximately 2" (5 cm) to expose blue and clear tubing. Remove blue wing nut from top connector of foam nozzle and slide it on the blue tube with the threads facing toward end of tube. Slide blue tube all the way over the top of the small tube on foam nozzle. Slide wing nut back to the threads and hand tighten. Follow the same steps for the clear tube and tube nut.

Route the tubing along underside of main frame using tie downs as necessary.

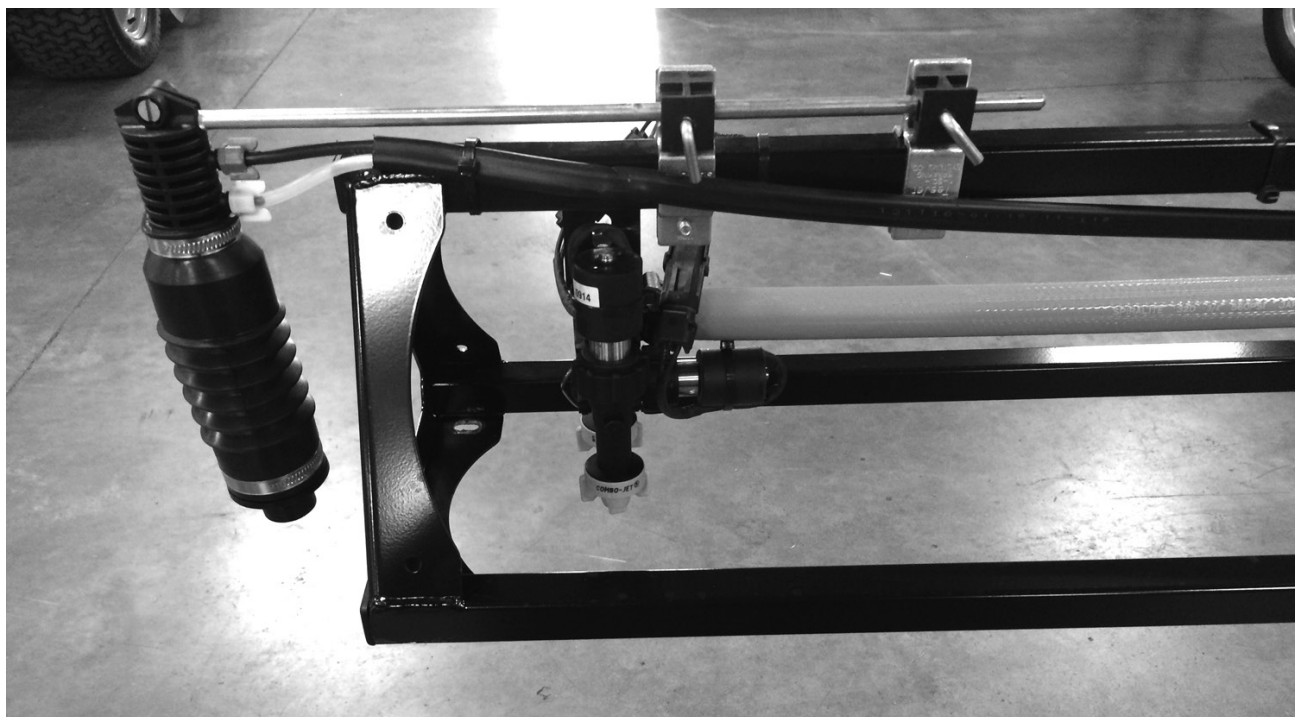
Install opposite ends of air-liquid tubes to compressor, again cutting back the oversleeve approximately 2" (5 cm) and inserting blue and clear tubes for the left boom section into the tubing connectors on the right side of compressor as far as possible. Follow the same steps for the right boom tubing. Notice the right boom is inserted into left side of compressor. To release tubing from compressor, hold black ring around tubing, and pull tube out.



FOAMER NOZZLE MOUNT DRAWING



Accessories

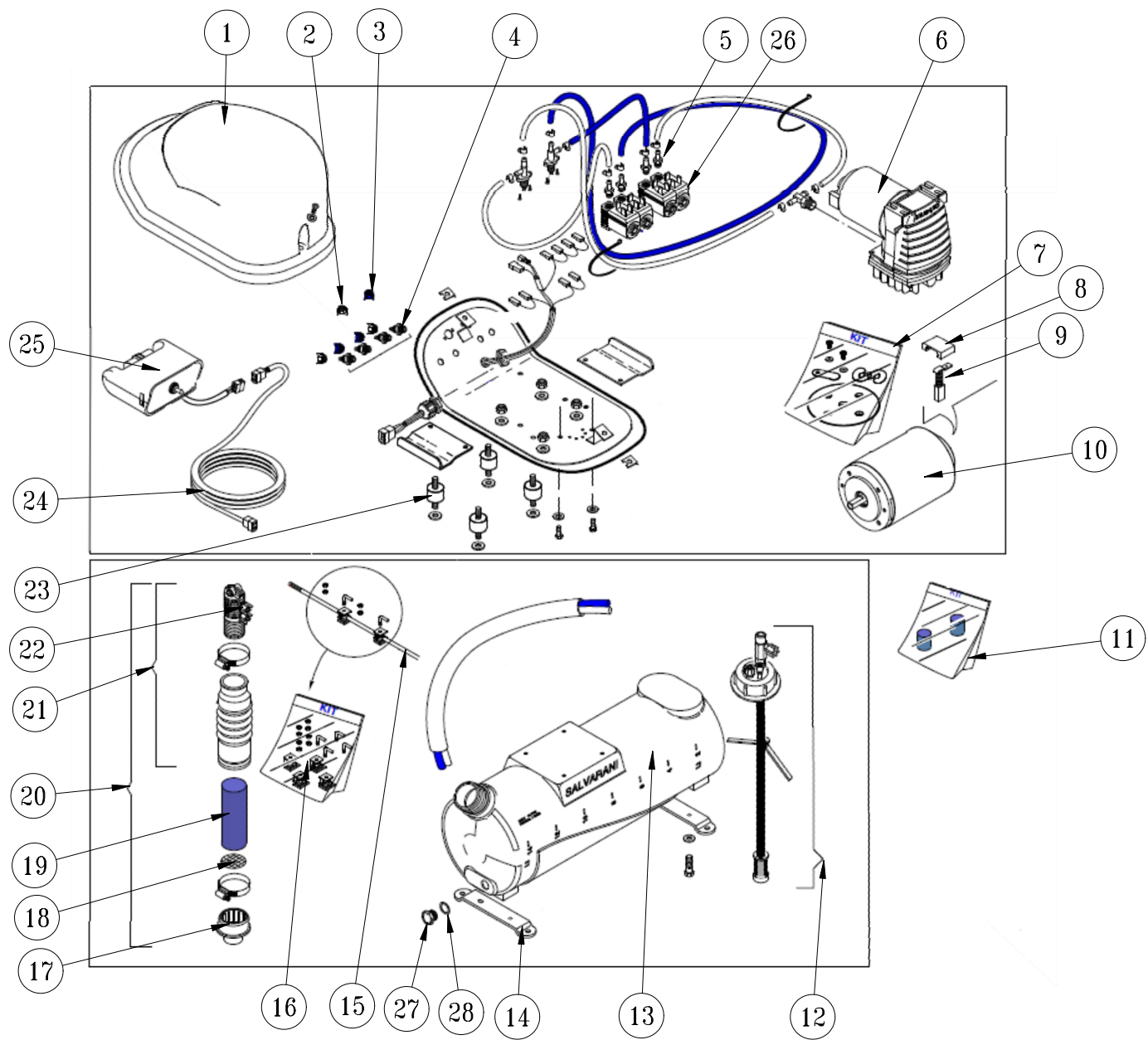


10-378 FOAM MARKER PARTS LIST

REF#	PART#	DESCRIPTION	QUANTITY
2	16-987	Foam Nozzle Mounting Kit	1 per boom
3	15-507	Foamer Tubing	1
4		Clear Tubing	
5	15-511	Foam Nozzle	2
6		Blue Tubing	
7	15-510-01	Nozzle Mounting Rod	2
8		Boom	
9	16-795	Square Clamp	4

- Slide hose clamp onto drop tube of foam nozzle and attach restrictor bell.
- Place splined end of Nozzle mounting rod (Ref 7) into top of foam nozzle (Ref 5). Tighten screw.
- Slide two foam nozzle mounts (Ref 2) onto the rod. Place square clamps (Ref 9) on foam nozzle mounts and mount the square clamps to the boom (Ref 8). Adjust foam nozzle mounts and clamps so nozzle assembly will clear end of boom. Tighten foam nozzle mounts and square clamps to prevent side to side movement. Do the same to the other side.
- Being careful not to cut the tubing (Ref 3), cut the over-sleeve back approximately 2" (5 cm) to expose blue (Ref 6) and clear tubing (Ref 4).
- Remove blue wing nut from top connector of foam nozzle and slide it on the blue tube with the threads facing toward end of tube. Slide blue tube all the way over the top of the small tube on foam nozzle. Slide wing nut back to the threads and hand tighten. Follow the same steps for the clear tube and tube nut.
- Route the tubing along underside of main frame using tie downs as necessary.
- Install opposite ends of air-liquid tubes to compressor, again cutting back the over-sleeve approximately 2" (5 cm) and inserting blue and clear tubes for the left boom section into the tubing connectors on the right side of compressor as far as possible.
- Follow the same steps for the right boom tubing. Notice the right boom is inserted into left side of compressor. To release tubing from compressor, hold black ring around tubing, and pull tube out.
- Hose's must be routed along the side of the boom square tubing.
- Mark 6 inches in from inside edge of foamer nozzle mounting bracket on square boom tubing.
- Cut cable and strip casing, allowing enough length to connect to fuse block.
- Strip and connect slide on connectors to each wire and use the heat shrink.
- Connect black negative (-) wire to the ground and connect red wire to the positive (+).
- Insert 10 amp fuse into slot which red wire was attached to.

14-291 FOAMER REPLACEMENT PARTS

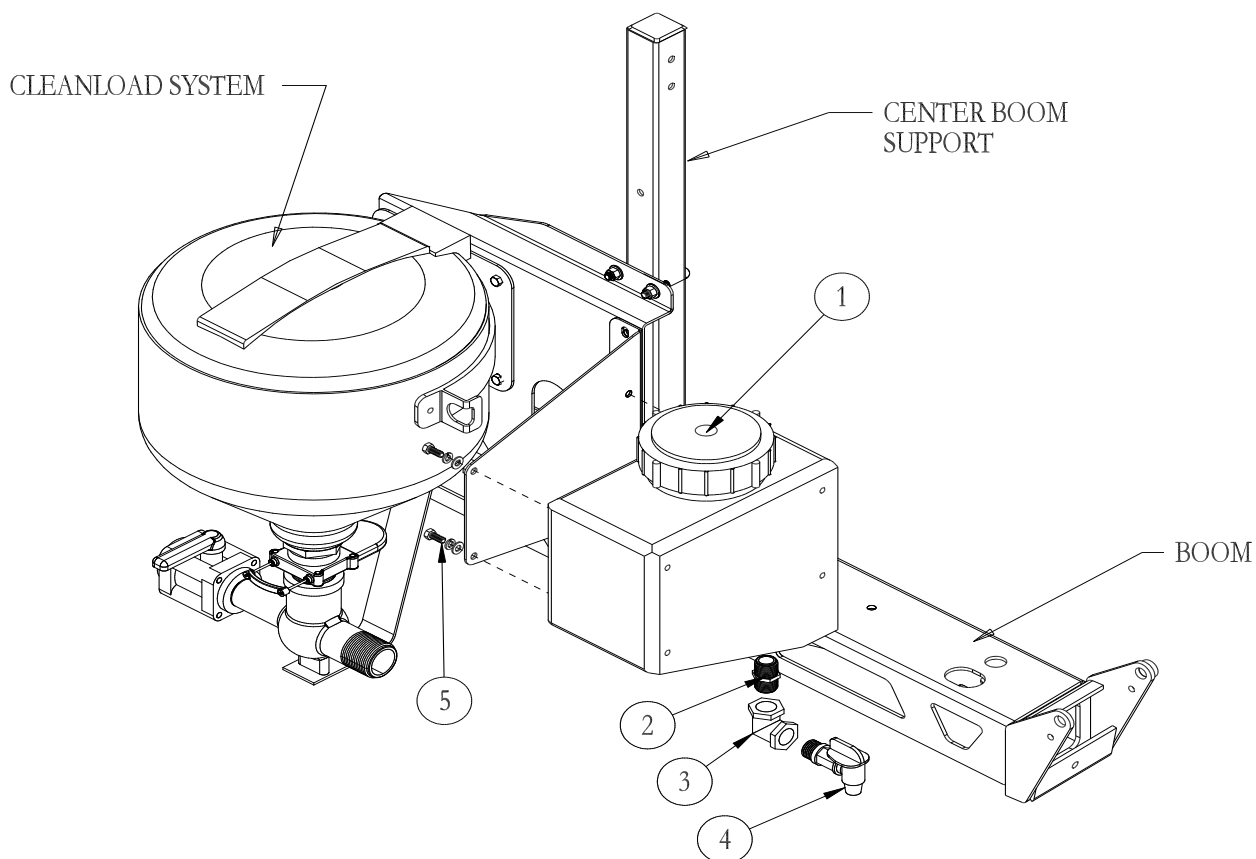


Accessories

14-291 FOAMER REPLACEMENT PARTS

REF#	PART#	DESCRIPTION	QUANTITY
1	14-291-01	Black Cover	1
2	14-291-08	White Fly Nut	1
3	14-291-09	Blue Fly Nut	1
4	14-284-10	Tubing Connector	1
5	14-291-17	M6 Tubing Connector	1
6	14-536	Compressor Complete	1
7	14-291-11	Diaphragm Replacement Kit	1
8	15-505-08	Brush Retainer	1
9	15-505-06	Brush	1
10	15-505-07	12V Electric Motor	1
11	15-511-02	Foam Sponge	1
12	14-284-02	Cap Assembly	1
13	14-291-02	Foamer Tank	1
14	14-291-04	Tank Brackets	2
15	15-510-01	Nozzle Mounting Rod	2
16	16-987	Foam Nozzle Mounting Kit	1
17	14-284-09	Foam Nozzle Reducer	2
18	15-511-09	Stainless Steel Screen	2
19	15-511-08	Long Foam Sponge	2
20	15-511	Foam Nozzle	2
21	15-511-07	Foam Nozzle Assembly	1
22	15-511-01	Foam Nozzle Sub Assembly	1
23	14-291-15	Shock Absorber	4
24	14-284-05	Extension Wire	1
25	14-291-05	Switch Box	1
	15-506-02	Switch	1
26	14-284-11	Solenoid Valve	4
27	14-291-19	Drain Plug	1
28	14-291-18	Drain Plug Seal	1

30-006 FRESH WATER WASH TANK - REAR MOUNT



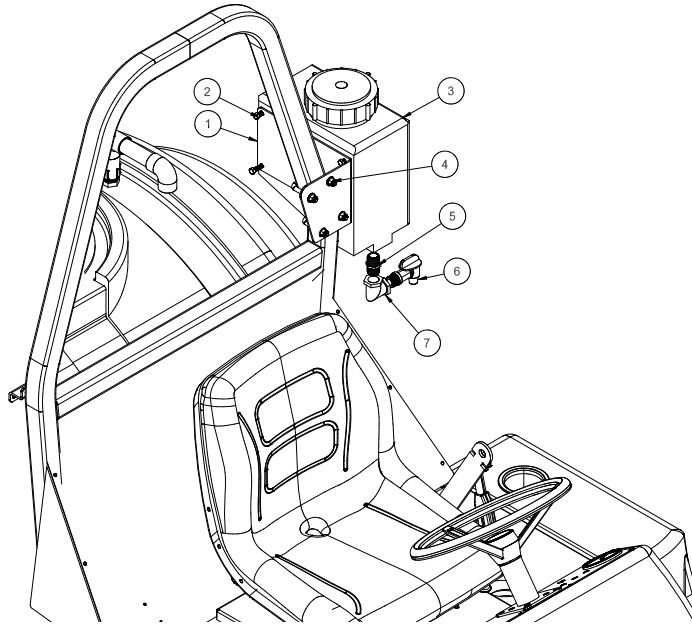
REF#	PART#	DESCRIPTION	QUANTITY
1	10-234	Wash Tank	1
2	16-158	Close Nipple	1
3	16-151	Elbow	1
4	16-960	Spigot	1
5	HB-516-18-075	Hex Bolt, $\frac{5}{16}$ - 18 x $\frac{3}{4}$	4
	HWL-516	Lockwasher, $\frac{5}{16}$	4
	HW-516	Flat Washer, $\frac{5}{16}$	4

1. Fresh Water Wash Tank mounts on the rear of all the machines.
2. The Bracket is already attached to the Super Boom center boom post.
3. Install the nipple (Ref 2), elbow (Ref 3) and spigot (Ref 4) into the bottom of wash tank (Ref 1). Use thread tape on all threads.
4. Mount the tank onto the mount bracket using four $\frac{5}{16}$ x $\frac{3}{4}$ bolts, washers and lockwashers. Tighten.
5. Rinse tank with clear water and check for leaks around fittings.

WARNING

This tank is for fresh clear water ONLY. Do not put chemicals in this tank.

10-653 FRESH WATER WASH TANK -FRONT MOUNT



REF#	PART#	DESCRIPTION	QUANTITY
1	10-652	Mount Plate	1
2	HB-516-18-075	Hex Bolt, $\frac{5}{16}$ - 18 x $\frac{3}{4}$	4
	HWL-516	Lock Washer, $\frac{5}{16}$	4
	HW-516	Flat Washer, $\frac{5}{16}$	4
3	10-234	Wash Tank	1
4	17-537	Square U-Bolt	2
5	16-158	Close Nipple	1
6	16-151	Elbow	1
7	16-960	Spigot	1

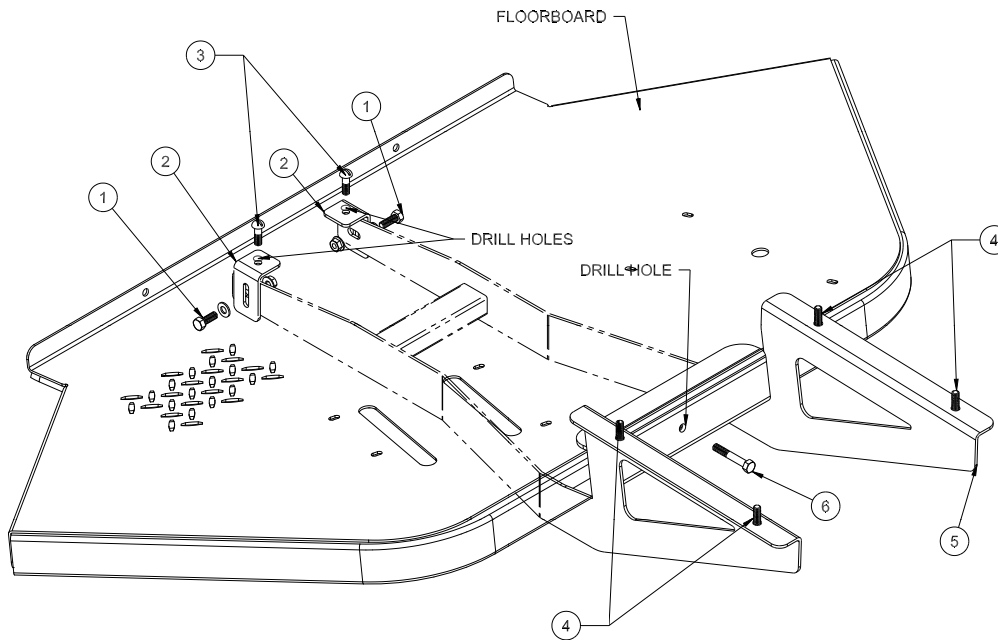
1. Fresh Water Wash Tank mounts on the left side Roll Bar.
2. Mount the wash tank (Ref 3) onto the mount bracket (Ref 1) using four $\frac{5}{16}$ x $\frac{3}{4}$ bolts, washers and lock-washers (Ref 2). Tighten.
3. Install the nipple (Ref 5), elbow (Ref 6) and spigot (Ref 7) into the bottom of wash tank (Ref 1). Use thread tape on all threads.
4. Mount the tank assembly to the left side Roll Bar with u-bolts (Ref 4). Tighten.
5. Rinse tank with clear water and check for leaks around fittings.



WARNING

This tank is for fresh clear water ONLY. Do not put chemicals in this tank.

10-734 16 GALLON RINSE TANK



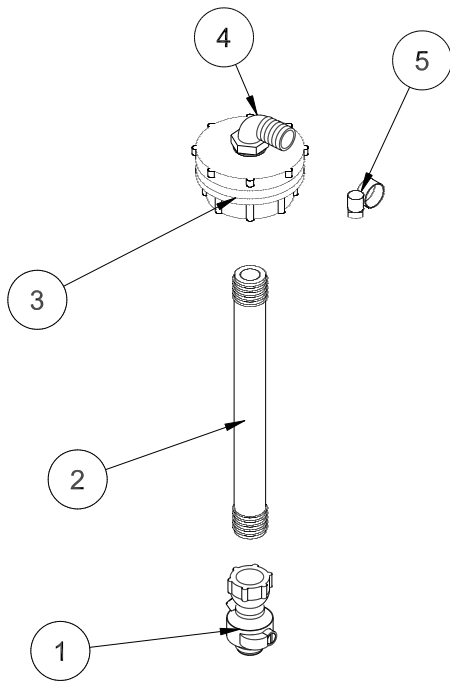
REF#	PART#	DESCRIPTION	QUANTITY
1	HB-516-18-075	Hex Bolt, $\frac{5}{16}$ -18 x $\frac{3}{4}$	2
	HW-516	Flat Washer, $\frac{5}{16}$	2
	HNFL-516-18	Flange Whiz-loc Nut, $\frac{5}{16}$ - 18	2
2	10-738	Mounting Bracket	2
3	HSTP-516-18-100	Truss HEad Screw, $\frac{5}{16}$ -18 x 1	2
	HNFL-516-18	Flange Whiz-loc Nut, $\frac{5}{16}$ - 18	2
4	HB-516-18-075	Hex Bolt, $\frac{5}{16}$ -18 x $\frac{3}{4}$	2
	HNFL-516-18	Flange Whiz-loc Nut, $\frac{5}{16}$ - 18	2
5	10-737	Rinse Tank Mount	1
6	HB-516-18-200	Hex Bolt, $\frac{5}{16}$ -18 x 2	1
	HNTL-516-18	Lock Nut, $\frac{5}{16}$ - 18	1

You will have to drill 2 holes in the Floorboard of your Sprayer.

2. Mount the two mounting brackets (Ref 2) on the rinse tank mount(Ref 5) using $\frac{3}{4}$ " bolts and flange whiz-loc nuts (Ref 2).
1. Center the rinse tank mount on the front bumper and mark one $\frac{5}{16}$ hole on the front tubing and 2 on the rear of the floorboard where the mounting bracket lines up
3. Drill through the front tubing.
4. Place the 2" bolt (Ref 6) and fasten with a lock nut.
5. Drill the two holes in the floorboard. Using the 2 truss head screws and flange whiz-loc nuts(Ref3) secure the back of the rinse tank mount to the bottom of the floorboard.
6. Use the slots in the mounting brackets to adjust and tighten mount to main frame. Tighten all bolts.
7. Mount the 16 gallon tank on the rinse tank mount (Ref 5) using the $\frac{5}{16}$ hardware.
8. Make sure bolts are all tightened.

10-734 16 GALLON RINSE TANK

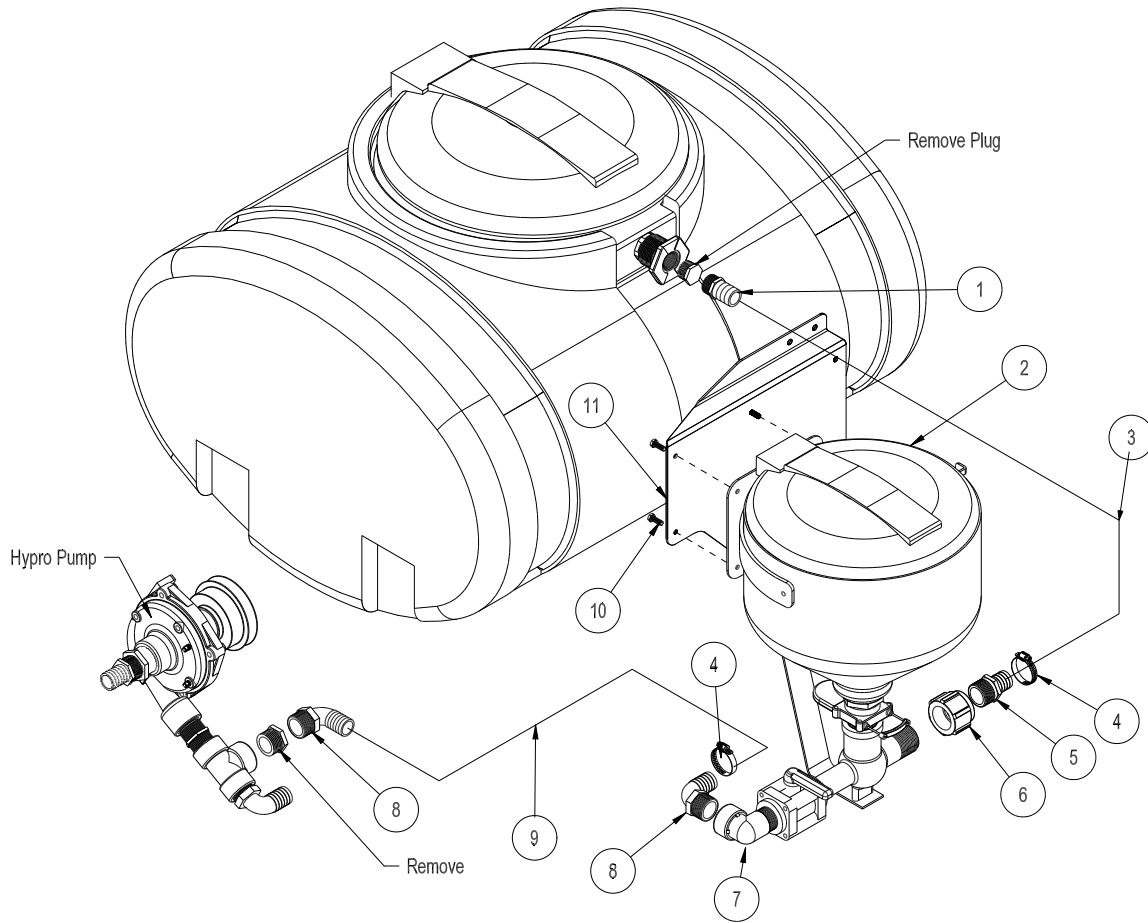
9. With wire cutter. Remove the alligator clamps from the ends of the pump wiring.
10. Strip about 1" on both ends of the black and red wires. Figure 1.
11. Slide on heat shrink and connectors. Figure 2.
12. Connect the 12' red wire to the red wire on the electric pump using the connector. Crimp the wires together. Figure 3 & 4.
13. Slide heat shrink over the connector. Figure 5.
14. Heat in place with just enough heat to melt shrink over connection. Do not over heat. Figure 6.
15. On the opposite end of the 12' black and red wire place a heat shrink and the slide on connector. Crimp the connector into place and place the heat shrink over the end of the wire. Heat the shrink into place. Figure 7.
16. Run the wire below the floorboard to the fuse box. Plug slide on connectors into fuse block.
17. Follow the instructions in the Spray Tanks Owner Manual for proper operation.



REF#	PART#	DESCRIPTION	QUANTITY
1	30-246	Tank Rinsing Nozzle	1
2	30-247	8" Nipple	1
3	33-495	Bulk Head Fitting	1
4	16-937	Elbow	1
5	18-186	Clamp	1

The rinsing system can be placed on any flat surface on the top of the spray tank as long as the hose from the 16 gallon spray tank will reach the elbow in the bulkhead. 1-5/8 " hole saw will be needed.

10-417 CHEMICAL CLEAN-LOAD®



TROUBLE SHOOTING

Symptom	Corrective Action
Low education rate	<p>Check pump pressure and flow. Cleanload Eductor performance is based on flow and pressure to the system. Note requirements for high education rates.</p> <p>Increase outlet hose size back to tank.</p>
Plugged or clogged bottle rinse nozzle	<p>Disassemble rotary portion of nozzle from lower valve assembly and back flush until nozzle ports are clear of debris.</p>
Plugged or clogged tank rinse nozzle	<p>Disassemble rotary portion of nozzle from NPT hose barb and back flush until nozzle ports are clear of debris. Remove screen and flush with water to clear away foreign material.</p>
Fitting leaks	<p>Check for cracks in fitting. Replace fitting if necessary.</p> <p>Disassemble and add more joint seal in compound if leak occurs on threads.</p>

10-417 CHEMICAL CLEAN-LOAD® PART LIST

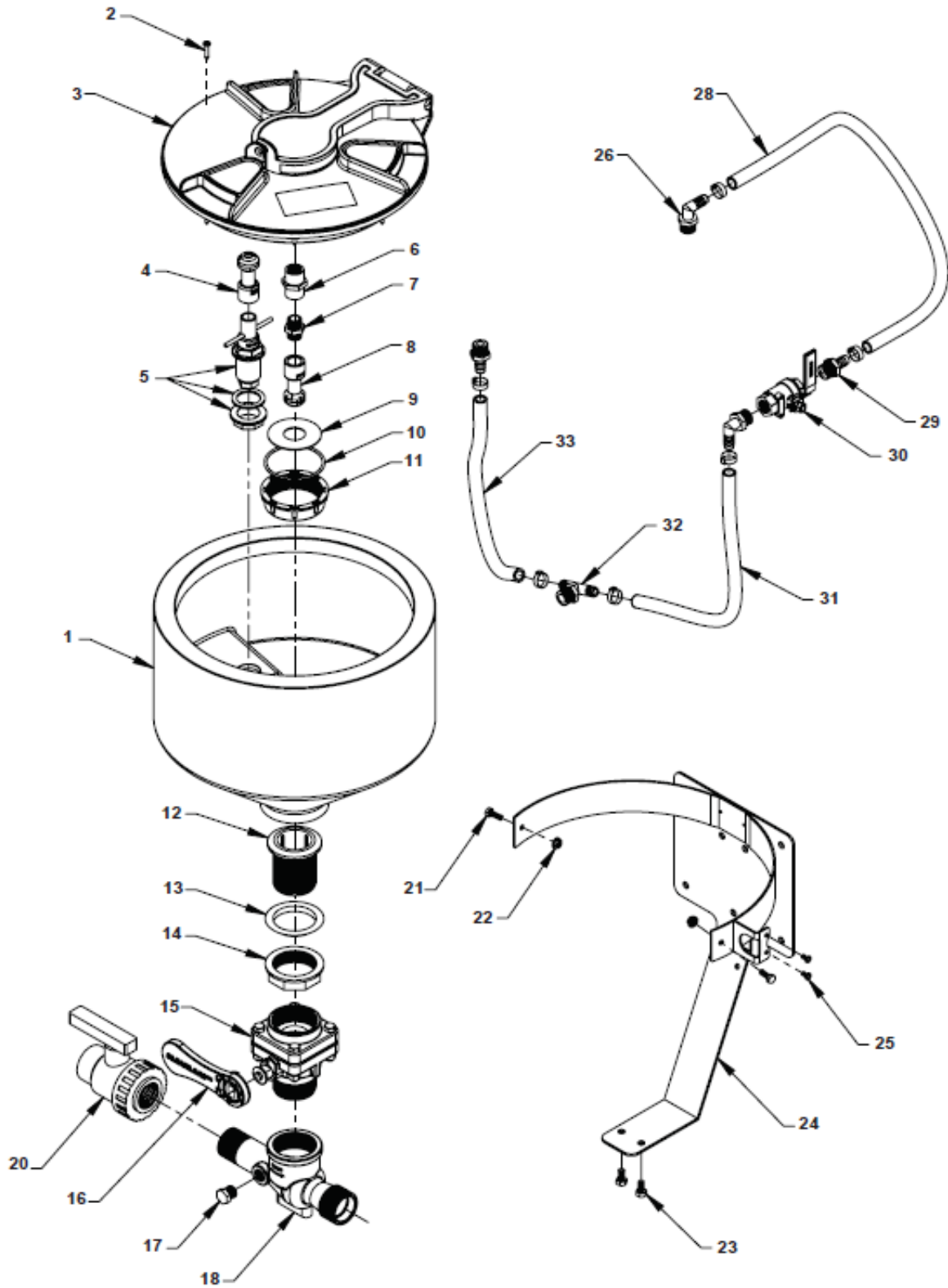
REF#	PART #	DESCRIPTION	QUANTITY
1	16-159	Tank Fitting	1
2	15-620	Cleanload Eductor	1
3	8897-41	Hose to fitting on Back of Tank	1
4	18-116	Hose Clamps	4
5	18-161	Fitting	1
6	18-391	Reducer Coupling	1
7	16-972	Elbow	1
8	16-156	90° Hose Barb	2
9	8897-83	Hose to Tee by Valve	1
10	HBFL-516-18-075	Flange Bolt $\frac{5}{16}$ -18 x $\frac{3}{4}$	4
	HNFL-516-18	Flange Lock Nut $\frac{5}{16}$ -18	4
11	17-635	Mount Bracket SOLD SEPERATELY	1

INSTALLATION INSTRUCTIONS

1. Make sure all chemicals have been flushed out of spray system, as you will be disconnecting fittings from the pump. Remember to use threaded tape on all new fitting connections.
2. Remove the 1/4" plug from the tee on the outlet side of the pump and install one hose barb (16-156). Then tighten so it points to the left side of the machine.
3. Install mounting brackets onto left side of center boom between boom pivot and vertical boom support. Secure with $\frac{3}{8}$ x 3 bolt, flatwasher (top and bottom) and lock nut.
4. Bolt cleanload assembly onto mounting bracket using four flange bolts $\frac{5}{16}$ -18-x $\frac{3}{4}$ and flange nuts. Install 90° fitting (16-972) into inlet side of Cleanload (valve with yellow handle). Install 90° hose barb (16-156) into the 16-972 then tighten.
5. Install one reducer coupling (18-391) and one straight Barb (16-161) onto the outlet side of Cleanload. Tighten.
6. Remove plug from top rear center of spray tank and discard. Install one hose barb (16-159) into tank fitting and tighten.
7. Route 80" hose from the 90° hose barb on spray pump to the inlet side of the Cleanload and secure with hose clamps (18-116).
8. Route 41" hose form 90° hose barb on outlet side on Cleanload to the hose barb on the top rear of the tank.
9. Make sure all hardware, fittings, and clamps are tight. Add about 25 gallons of water to the spray tank. **CLOSE** tank lid. Start Sprayer and circulate water through system and check for leaks.
10. Be sure to read start up and shutdown instructions for Cleanload assembly before using it with chemicals. When working with chemicals always wear protective clothing, goggles and gloves.

SPRAY TANK LID MUST BE CLOSED WHEN USING CLEANLOAD.

15-620 CHEMICAL CLEAN-LOAD® DRAWING



Accessories

15-620 CHEMICAL CLEAN-LOAD® PARTS LIST

REF#	PART#	DESCRIPTION	QUANTITY
1	15-620-21	Tank	1
2		Screw, #6 x 1"	8
3	15-620-02	Tank Lid	1
4	15-620-22	ProClean Container Nozzle	1
5	15-620-23	ProClean Push Valve Assembly	1
	15-620-19	Tank Rinse	1
	15-620-20	Gasket, 1"	1
6		1/2 x 1/2 FNPT Coupler	1
7		1/2 x 1/2 Thread Nipple	1
8		ProClean Tank Wash Nozzle	1
9		Splash Retainer	1
10		O-ring Breather	1
11		Nut, Breather	1
12	15-620-18	Drain Head, 2"	1
13	15-620-17	Gasket: 2", Tapered	1
14	15-620-16	Locking Ring, 2"	1
15	15-620-12	Ball Valve	1
	15-620-15	Gasket: 2" BSP	1
16	15-620-13	Handle, Clean-load	1
17		1/2 MNPT PP Hex Plug	1
18	15-620-04	Clean-load Eductor	1
20	15-620-14	Ball Valve, 1 1/4 Single Union	1
21		Screw	2
22		Flange Nut	2
23		Hex Head Screw	2
24	15-620-01	Frame, Back Mount	1
25		Phillips Head Screw	2
26	15-620-11	Elbow 1/2"	2
28	15-620-08	Hose, Tank Rinse, 1/2" EPDM	1
29	15-620-09	Hose Barb 1/2 MNPT x 1/2 HB	2
30	15-620-10	Valve, SS Tank Rinse	1
31	15-620-06	Hose, Valve Feeder, 1/2" EPDM	1
32	15-620-05	Tee, 1/2 MNPT to 1/2 HB	1
33	15-620-07	Hose, Bottle Rinse, 1/2" EPDM	1

10-417 CHEMICAL CLEAN-LOAD® OPERATING INSTRUCTIONS

START-UP

1. All Clean-load valves must be closed prior to starting: inlet ball valve, knife valve and hopper rinse ball valve.
2. Open lid to check for foreign objects which may hinder performance or contaminate the system.
3. Close and lock lid by turning cover clockwise.
4. Divert pump flow to Clean-load inlet line. A pressure of 30 PSI minimum and 150 PSI maximum must be used. Highest pressures increase education rate and available wand suction.
5. Turn inlet ball valve on (yellow handle).
6. Open knife valve, located on the bottom of hopper, by pushing handle in (red handle).
7. Unlock and open lid slowly by turning cover counterclockwise.

LOADING LIQUID OR POWDERED CHEMICAL INTO HOPPER

8. Pour required amount of chemical into hopper. Avoid splashing liquids or powdered chemicals outside of hopper.
9. Rinse empty chemical containers if applicable. Place container opening over container rinse valve and press down. This will activate the rinse valve and rinse container.
10. Rinse Clean-load hopper. Close and lock lid by turning cover clockwise. Release the safety locking band on the hopper rinse ball valve and turn on for 20 seconds. Close ball valve and return locking band to locked position.
11. Open lid and inspect for chemical residue. Repeat step 10 as necessary.
12. Close knife valve by pulling red handle out towards you. Turn inlet (yellow handle) off.

LOADING LIQUID AND/OR POWDERED CHEMICAL WITH SUCTION LANCE

Note: Lance suction is dependent upon eductor pressure and flow. For best results, use highest pressure available up to 150 PSI maximum.

8. Insert lance body with o-ring into eductor until the o-ring is sealed.
9. Use the free end of the lance to pierce bag or container to vacuum powdered or liquid chemical.
10. Rinse lance. Place lance end into a clean container of water to rinse lance assembly.
11. Remove lance body from eductor and drain any remaining fluid into hopper.
12. Close knife valve (red handle). Turn inlet valve (yellow handle) off.

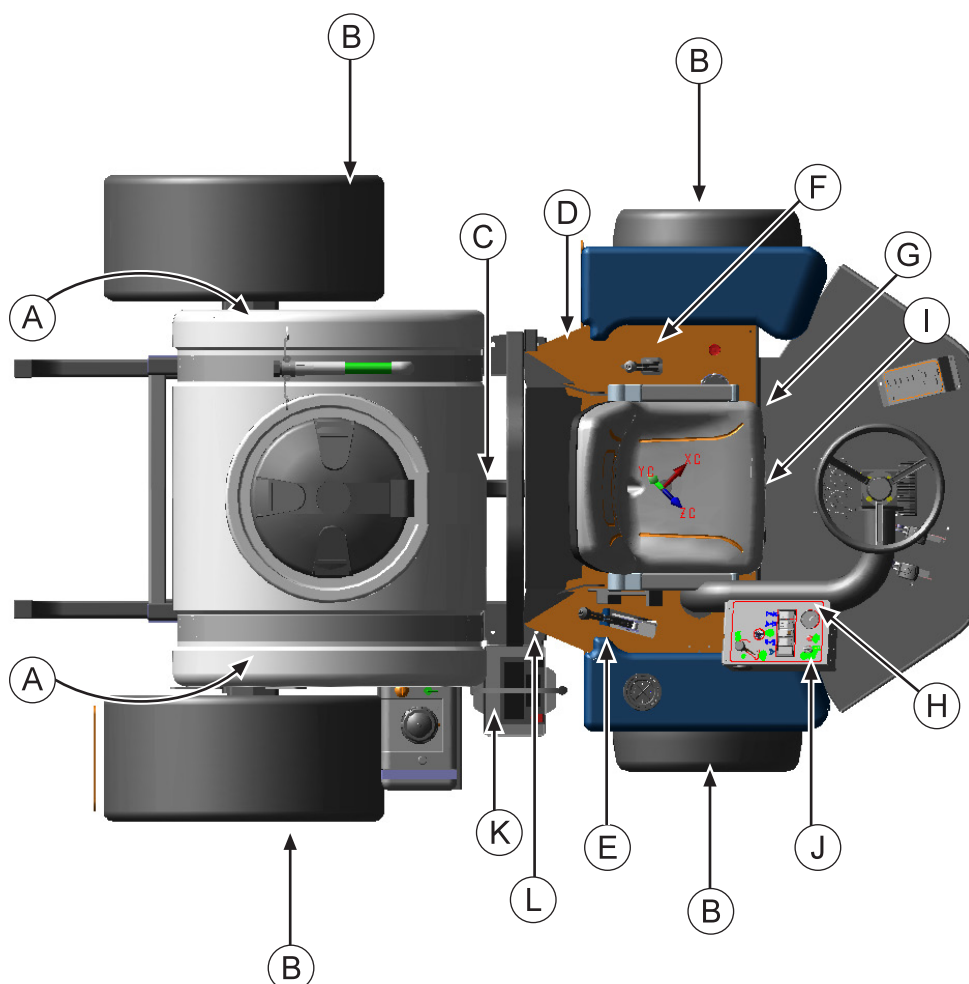
SHUTDOWN

1. Ensure that:
 - All valves are closed. Be sure to close knife valve first. (Close by pulling red handle out towards you.)
 - Chemical residue has been cleaned.
 - Hopper lid is closed and locked by turning cover clockwise.
2. Divert pump flow back to normal operation.

DECAL LIST

This is a list of decals located on the Spray Star 1110. Part number, description and location will help in reordering a decals.

A	10-743	Decal, Spray Star 1110
B	25-356	Decal, Tire Pressure 20psi
C	25-352	Decal, Bypass Valve
D	25-298	Decal, Warning Hot
E	15-719	Decal, Speed Control
F	27-093	Decal, Oil Level
G	25-370	Decal, 88 dba
H	15-463	Decal, Spray Pump
I	25-373	Decal, Smithco
J	10-657	Decal, Control Panel
K	25-277	Decal, Battery Warning
L	14-803	Decal, Clean Agitation Strainer



Reference

QUICK REFERENCE REPLACEMENT PARTS

REPLACEMENT FILTERS

23-031	Hydraulic Oil Filter Element 25 Micron	
13-531	Engine Oil Filter	Briggs# 842921
10-575-02	Air Filter	Briggs# 692519
10-575-03	Air Filter Pre-Cleaner	Briggs# 692520
50-403	In-Line Fuel Filter	

REPLACEMENT BELTS

42-359	Belt (engine to hydrostat pump)
15-704	Belt (engine to Hypro® Pump)

SEAL KITS

15-301	Orbital
15-301-01	Repair Kit
77-263	Hydraulic Cylinder
14-530	Seal Kit
10-510	Wheel Motor
14-080	Seal Kit
45-373	DDC20 Piston Pump
45-373-01	Overhaul Kit
16-998	Hypro® Pump
16-967	Silicone - Carbon Seal Kit

FLUIDS

Engine Oil	SAE 10W-40 API Service SJ or higher Motor Oil
Hydraulic Fluid	SAE 10W-40 API Service SJ or higher Motor Oil

OTHER PARTS

13-488	Key Switch
8-709	Key Set
14-532	Hinged Cover On Tank with Gasket
16-953-01	Gasket For Cover
16-169	Strainer Basket
15-818	#75 Fitting O-ring
15-817	#50 Fitting O-ring
Spark Plugs	Champion type RC12YC (Gap 0.030 inch (.76 mm))

The Smithco Commercial Products Two-Year Limited Warranty

Smithco, Inc. (Smithco) warrants your 2016 or newer Smithco Commercial Product (“Product”) purchased after October 1, 2016 to be free from defects in materials or workmanship for the period of time listed below. Where a warrantable condition exists, Smithco will repair the Product at no cost to you including diagnosis, labor (at the Smithco standard labor rate, subject to the Smithco flat rate schedule), and parts.

Warranty Duration is:

- (1) Two years, 1500 operational hours* from the date of delivery to the original purchaser or Five years from the date of original manufacturer of the product, whichever occurs first. (*Products equipped with hour meter).
- (2) Products used in rental situations are covered for 90 days from date of delivery to original user/renter.

Owner Responsibilities:

As the Product owner, you are responsible for required maintenance and adjustments stated in your Owner’s Manual. Failure to perform required maintenance and adjustments can be grounds for disallowing a warranty claim. **You are particularly responsible to train all present and future operators of this product on the safe operation of this product at your location.**

Instructions for Obtaining Warranty Service:

You are responsible for notifying the Authorized Smithco Products Distributor from whom you purchased the Product as soon as you believe a warrantable condition exists and not later than 30 days from discovery of the condition.

If you need help locating an Authorized Smithco Distributor, or if you have questions regarding your warranty rights or responsibilities, you may contact us at:

Smithco Product Support Department
200 West Poplar Ave.
Cameron, Wisconsin 54822
Telephone: 800-891-9435 E-Mail: ProductSupport@Smithco.com

Maintenance Parts:

Parts scheduled for replacement as required maintenance (“Maintenance Parts”), are warranted for the period of time up to the scheduled replacement time for that part.

Items/Conditions Not Covered:

Not all product failures or malfunctions that occur during the warranty period are defects in materials or workmanship. The items/conditions listed below are not covered by this warranty:



Product failures which result from the use of non-Smithco replacement parts, or from installation and use of add-on, modified, or unapproved accessories are not covered.



Product failures which result from failure to perform required maintenance and/or adjustments are not covered.



Product failures that result from operating the Product in an abusive, negligent or reckless manner are not covered.



This warranty does not apply to parts subject to consumption through use, unless found to be defective. Examples of parts which are consumed, or used up, during normal Product operation include, but are not limited to: blades, tines, teeth, scarifiers, rakes, plates, wear plates, castor wheels, tires, batteries, filters, belts, nozzles, etc.



This warranty does not apply to failures caused by outside influence. Items considered to be outside influence include, but are not limited to, weather, storage practices, contamination, use of unapproved coolants, lubricants, additives, or chemicals, etc.



This warranty does not apply to normal “wear and tear” items. Normal “Wear and Tear” includes, but is not limited to, damage to seats due to wear or abrasion, worn painted surfaces, scratched decals or windows, etc.



Smithco may require the return of failed parts or components in order to determine the validity of any warranty claim.



Smithco will not be obligated to replace components of other manufacturers if inspection by the original component manufacturer indicates that failure was due to normal wear and tear, expected consumption through use or improper care or service.

Other Legal Disclaimers:

The above remedy for product defects through repair or replacement by an authorized Smithco distributor or dealer is the purchaser’s sole remedy for any defect. This warranty gives you specific legal rights, and you may also have other rights which vary from state to state.

THERE ARE NO OTHER EXPRESS WARRANTIES OTHER THAN THOSE SET FORTH ABOVE. ALL IMPLIED WARRANTIES OF MERCHANTABILITY AND FITNESS FOR USE ARE LIMITED TO THE DURATION OF THE LIMITED WARRANTIES CONTAINED HEREIN.

Some states may not allow limitations on how long an implied warranty lasts, so the above limitation may not apply to you.

THE SMITHCO COMPANY IS NOT LIABLE FOR INDIRECT, INCIDENTAL OR CONSEQUENTIAL DAMAGES IN CONNECTION WITH THE USE OF THE PRODUCT, INCLUDING ANY COST OR EXPENSE OF PROVIDING A SUBSTITUTE PRODUCT OR SERVICE DURING PERIODS OF MALFUNCTION OR NON-USE.

Some states may not allow the exclusion of indirect, incidental or consequential damages, so the above exclusion may not apply to you.

Smithco neither assumes, nor authorizes any person to assume for it, any other liability in connection with the sale or use of this product.

