



Parts Manual

TOURNAMENT ULTRA PLUS

7580

SN: T9560

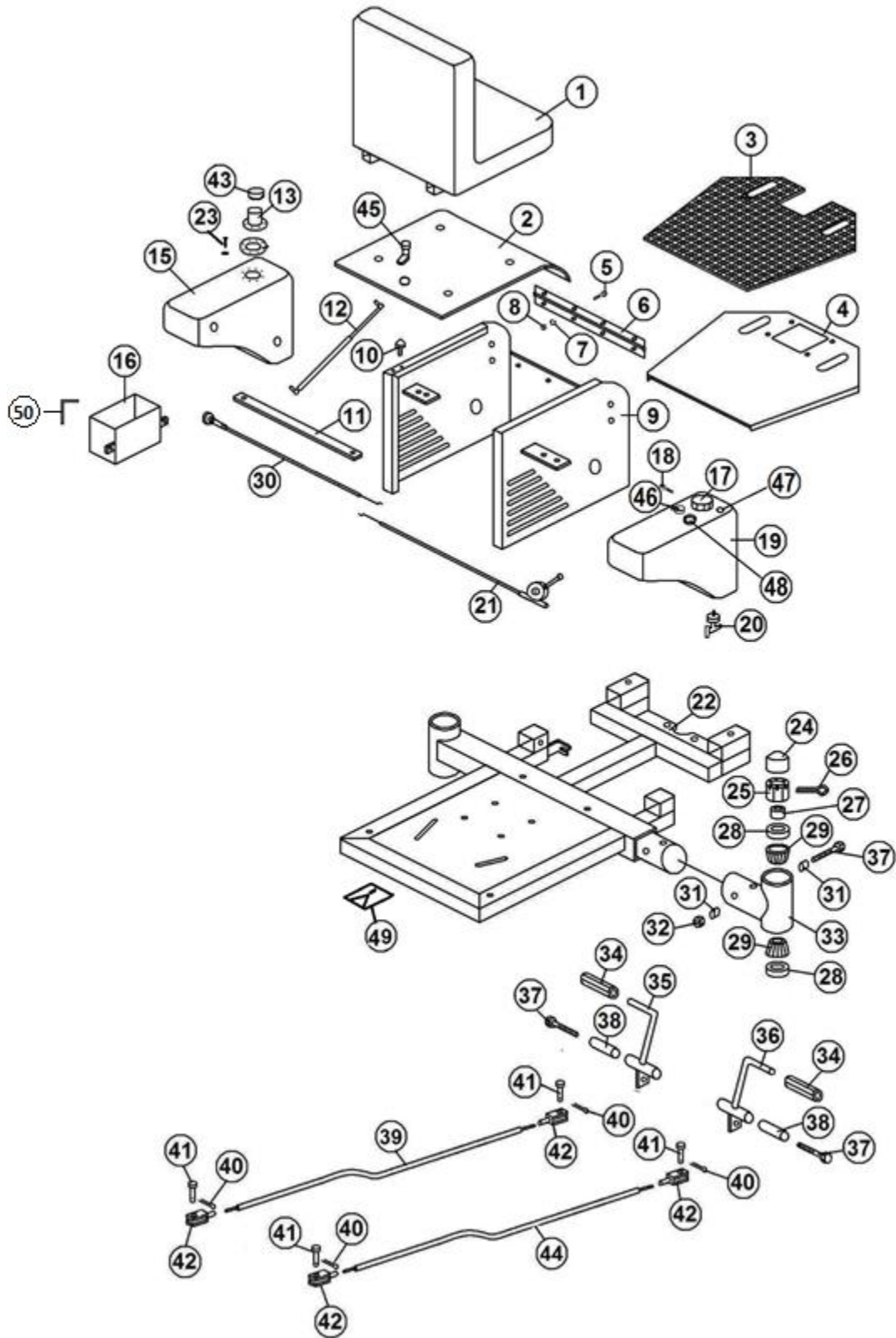
Revised September, 2023

Product Support: 1020 Hawaii Rd; Humboldt, KS 66748
1-888-422-5173 wj@smithco.com

TABLE OF CONTENTS

TITLE	PAGE
7580 Frame Drawing	1
7580 Frame Parts List	2-3
Roller Housing Drawing	4
Roller Housing Parts List	5
7580 Steering Drawing	6
7580 Steering Parts List	7
Wiring Drawing & Parts List	8
Engine Drawing & Parts List	9
7512 Spiker Drawing	10
7512 Spiker Parts List	11
7514 Brush Drawing & Parts List	12
Hydraulic Plumbing Drawing	13
Hydraulic Plumbing Parts List	14
750-801 Wheel Motor Drawing	15
750-801 Wheel Motor Parts List	16
750-847 Pump Drawing	17
750-847 Pump Parts List	18
Pump Linkage Drawing & Parts List	19
Performance Chart	20-21
750-450 Light Kit Parts List & Installation	22-23
7520 Trailer Drawing	24
7520 Trailer Parts List	25
Guide Rail & Roller Stop Installation	26
Trailer Springs	27
SMITHCO Warranty	28-29

7580 FRAME DRAWING



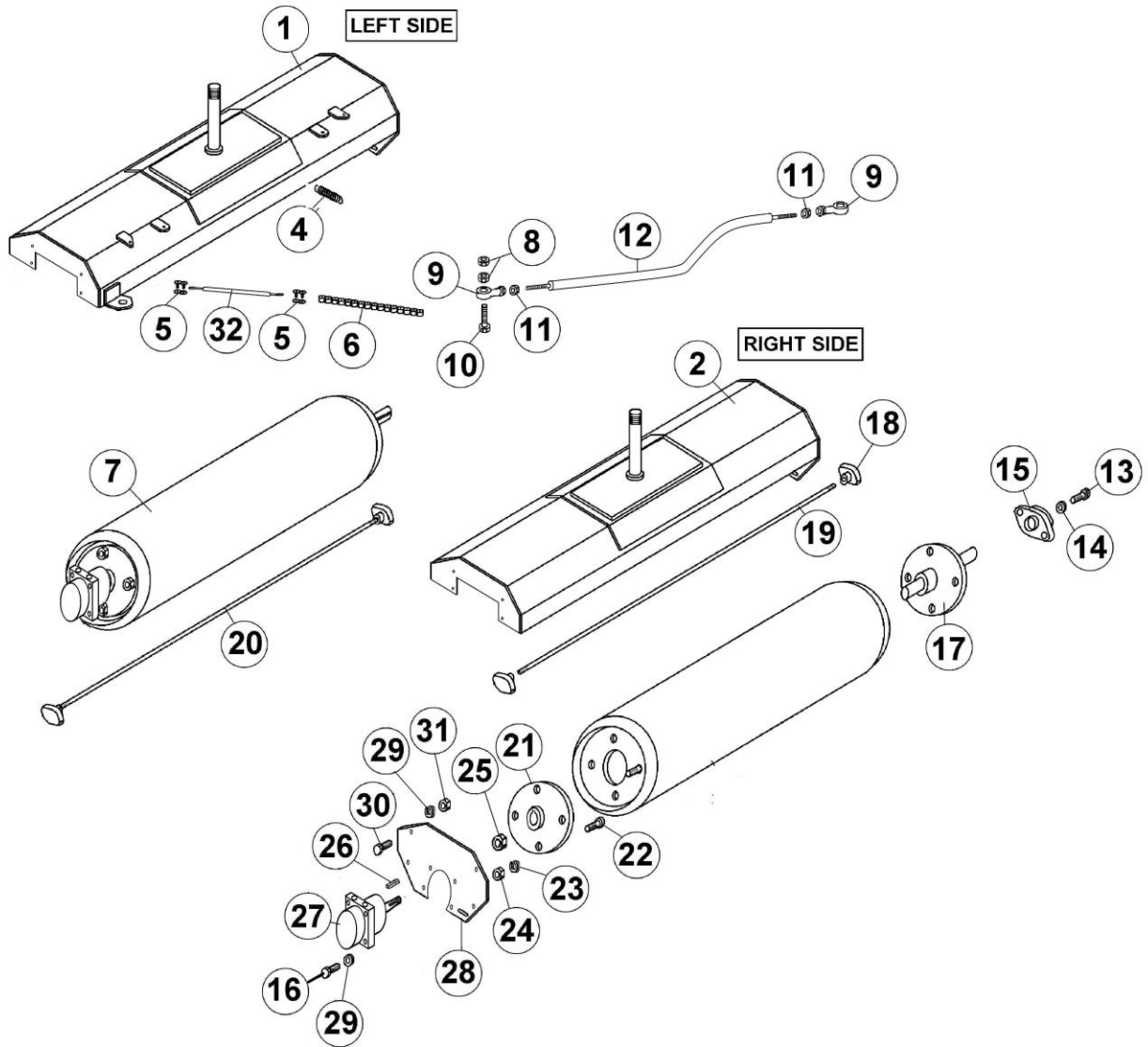
7580 FRAME PARTS LIST

REF#	PART#	DESCRIPTION	QTY.
1	832-123-2	Low-Back "Smithco" Seat Assy.	1
2	750-253-1	Seat Plate	1
3	750-278	Rubber Mat	1
4	750-871	Deck Plate	1
5	400-002	5/16" – 18 x 1" HHCS	14
6	750-254	Seat Plate Hinge	1
7	400-207	5/16" Lock Washer	10
8	400-102	5/16" – 18 Hex Nut	10
9	750-262	Engine Cover	1
10	41-143	Protective Bumper	2
11	750-290	Engine Cover Brace	1
12	750-891	Gas Shock Assembly w/Ball Stud	1
13	750-954	Oil Cap w/Dipstick	1
15	943-111	Oil Tank	1
16	750-402	Battery Box	1
17	943-110-5	Vented Gas Tank Cap	1
18	400-043	1/4" – 20 x 3/4" HHCS	6
19	943-110	Gas Tank	1
20	943-110-2	Gas Tank Valve	1
21	750-715	Throttle Cable 72"	1
22	750-872	Main Frame	1
23	400-039	8/32 x 3/4" Machine Screw	1
	400-219	#8 Flat Washer	1
24	750-192	1 1/8" Poly Hex Nut & Bolt Cap	2
25	932-042	Thick Slotted Nut 1 1/4"	2
26	709-143-1	Cotter Pin 1/8" x 2 1/2"	2
27	932-024	Spacer	2
28	932-022	Seal	4
29	932-023	Bearing	4
30	943-126	Choke Cable	1
31	750-186	1/2" ID x 3/4" OD x 1/2" Spacer	4
32	400-112	1/2" – 13 Lock Nut 2-Way	1
33	750-750	Swivel Axle Bracket	1
34	943-127	Accelerator Pedal Pad	2
35	750-893	Left Foot Pedal	1
36	750-892	Right Foot Pedal	1
37	400-061-1	1/2" – 13 x 3 1/2" All Thread / Tap Bolt	3
38	10-007	Oilite Bushing	4
39	750-005-1	Left Foot Rod Assy.	1
40	720-079	Cotter Pin 3/32 x 3/4"	6
41	720-078-1	5/16" x 1" Clevis Pin	4
42	11-101-1	Linkage Yoke	4
43	750-292	Oil Filler Breather	1
44	750-004-1	Right Foot Rod Assy.	1

7580 FRAME PARTS LIST (Continued)

REF#	PART#	DESCRIPTION	QTY.
45	843-172	Cover Lock	1
46	943-110-4	Vent Valve	1
47	943-110-8	Steel Elbow	1
48	943-110-6	Fuel Gauge	1
49	750-250	Speed Boss Kit	1
50	750-977	Battery Hold Down Assembly	1
NI	400-135	5/16 – 24 Fine Thread Jam Nut	4

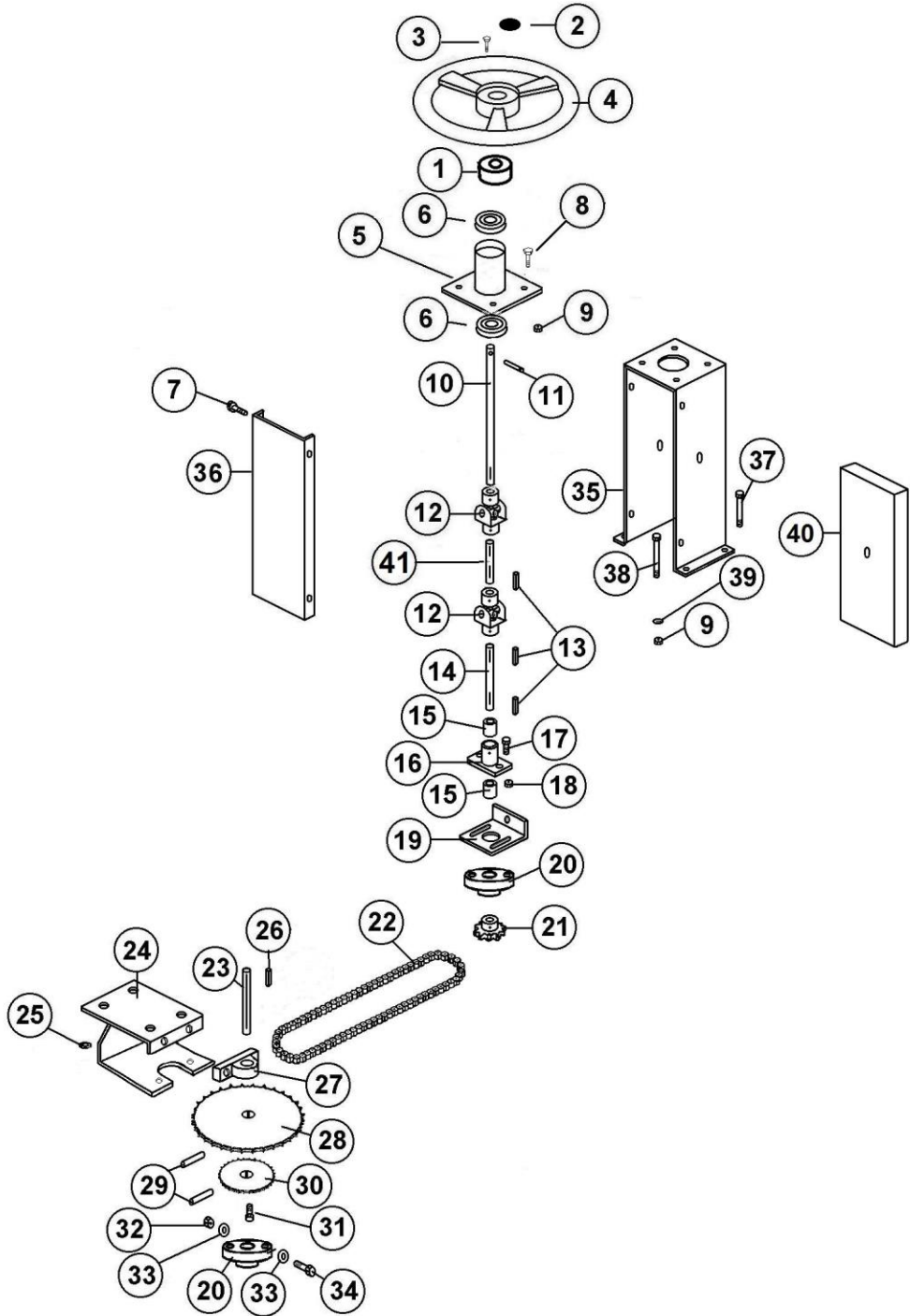
7580 ROLLER HOUSING DRAWING



7580 ROLLER HOUSING PARTS LIST

REF#	PART#	DESCRIPTION	QTY.
1	750-825	Left Roller Housing	1
2	750-826	Right Roller Housing	1
4	40-199	Idler Spring	1
5	1083	#50 Master Link	3
6	750-415	#50 Chain 50 pitch w/3 Connecting Links	1
7	750-821	Roller Cylinder	2
8	400-360	1/2" – 13 Lock Nut	2
8-1	400-286	1/2" – 13 Hex Jam Nut	2
9	713-806	Ball Joint	2
10	400-099	1/2" x 1 3/4" HHCS	2
11	400-334	1/2" Flanged Serrated Lock Nut	2
12	750-411	Tie Rod	1
13	400-044	1/4" – 20 x 1" HHCS	2
14	400-208	1/4" Lock Washer	2
15	720-004	Flange Bearing	2
16	400-346	3/8" – 16 x 1" Serrated Flange Bolt	4
17	750-220-2	Hub w/Plate, Bushing & Shaft	2
18	750-210-2	Scraper Knob	4
19	750-210-1	Scraper Cable	2
20	750-210	Scraper Assembly	2
21	750-802	4-Bolt Hub	2
22	1189	Lug Bolt	8
23	400-210	1/2" Lock Washer	8
24	400-105	1/2" – 13 Hex Nut	8
25	750-801-3	Castle Nut	2
26	740-023	Woodruff Key 3/16" x 3/4"	2
27	750-801	Hydro Gear Motor	2
28	750-827	Bolted End Plate f/Housing	2
29	400-209	3/8" Lock Washer	16
30	400-090	3/8" – 16 x 1 1/4" HHCS	16
31	400-103	3/8" – 16 Hex Nut	8
32	750-873	Steering Chain Adjuster Bracket – Turnbuckle	1

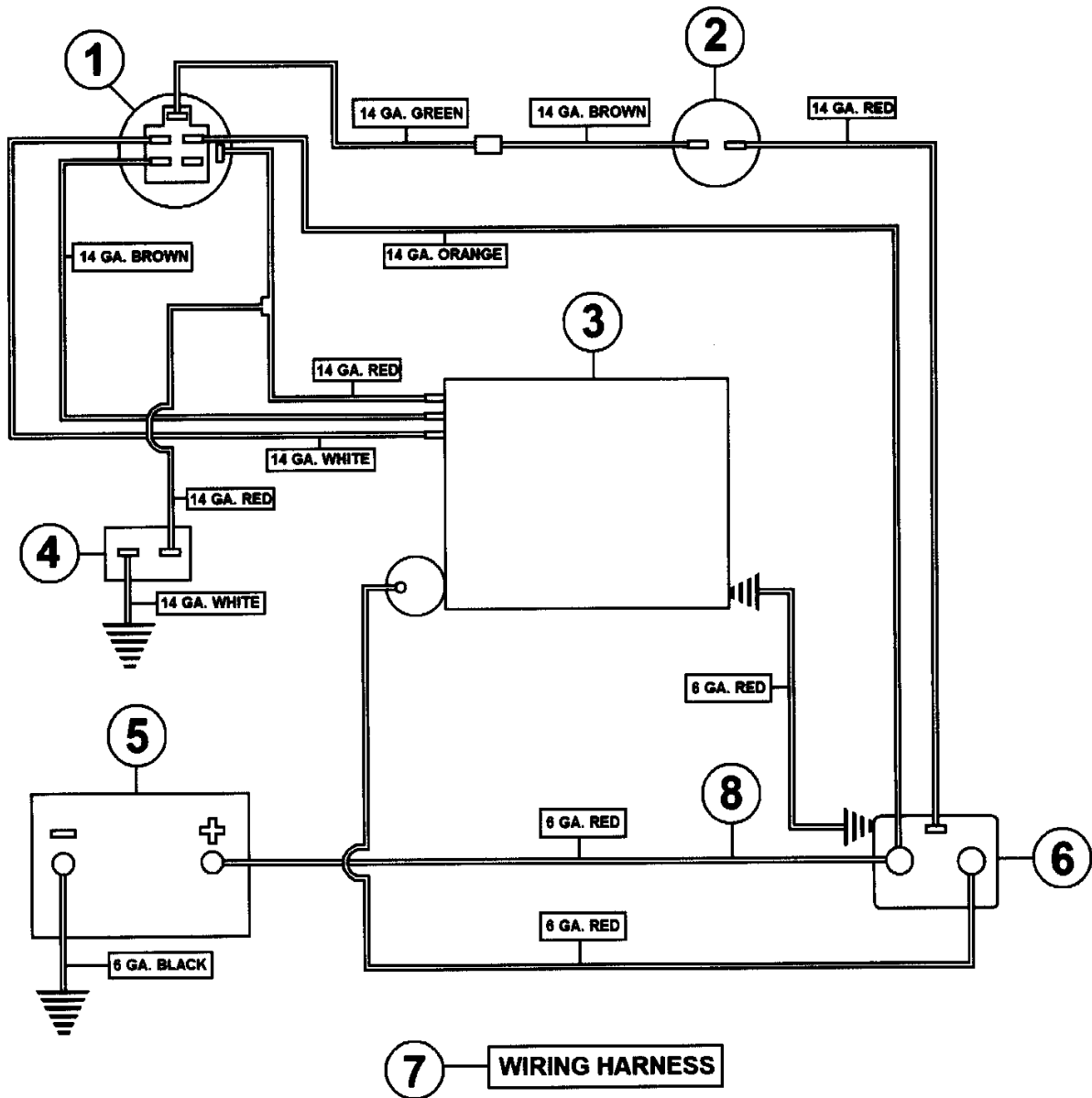
7580 STEERING DRAWING



7580 STEERING PARTS LIST

REF#	PART#	DESCRIPTION	QTY.
1	750-991	Steering Wheel Adapter	1
2	750-994	1" Plastic Plug	1
3	400-351	1/4" x 3/4" Flange Bolt	3
4	750-990	Steering Wheel	1
5	750-992	Steering Column	1
6	851-046	Steering Post Bearing	2
7	400-351	1/4" x 3/4" Flange Bolt	4
8	400-001	5/16" – 18 x 3/4" HHCS	4
9	400-281	5/16" Flanged Lock Nut	8
10	750-286	Upper Steering Shaft	1
11	750-315	1/4" x 2 1/2" Spring Pin	1
12	41-120	U-Joint 3/4" x 3/4"	2
13	1088	3/16" x 1" Key	5
14	750-266	Lower Steering Shaft 11"	1
15	520-007	Bronze Bushing	2
16	750-195	Steering Shaft Bracket	1
17	400-005	5/16" – 18 x 1 3/4" HHCS	2
18	400-109	5/16" – 18 Lock Nut	2
19	41-194	Chain Adjuster Bracket	1
20	1036-1	Jackshaft Bearing Assy.	2
21	1075	#40 Jackshaft Sprocket 11T	1
22	41-251	#40 Chain x 108 Pitch w/Connecting Link	1
23	750-148-1	Sprocket & Bearing Shaft 5 1/2" w/Holes	1
24	750-894	Bearing & Sprocket Bracket	1
25	400-116	3/8" – 16 Lock Nut	4
26	1088-1	3/16" x 1 1/2" Key	1
27	1040	Front Axle Bearing	1
28	750-234	Steering Sprocket 60T 40BS60 x 3/4	1
29	750-315	1/4" x 2 1/2" Spring Pin	2
30	750-133-1	50BS 19 x 3/4" Sprocket	1
31	400-003	5/16" – 18 x 1 1/4" HHCS	2
32	400-109	5/16" – 18 Lock Nut	4
33	400-202	5/16" Flat Washer	4
34	400-004	5/16" – 18 x 1 1/2" HHCS	2
35	750-106	Steering Column	1
36	750-107	Steering Column Cover	1
37	400-010	5/16" – 18 x 5" HHCS	2
38	400-339	5/16" – 18 x 7" Grade 8 Bolt	2
39	400-201	1/4" Flat Washer	4
40	750-185	Weight Plate 1" x 5" x 18"	2
41	44-984	Steering Shaft 4 3/16"	1

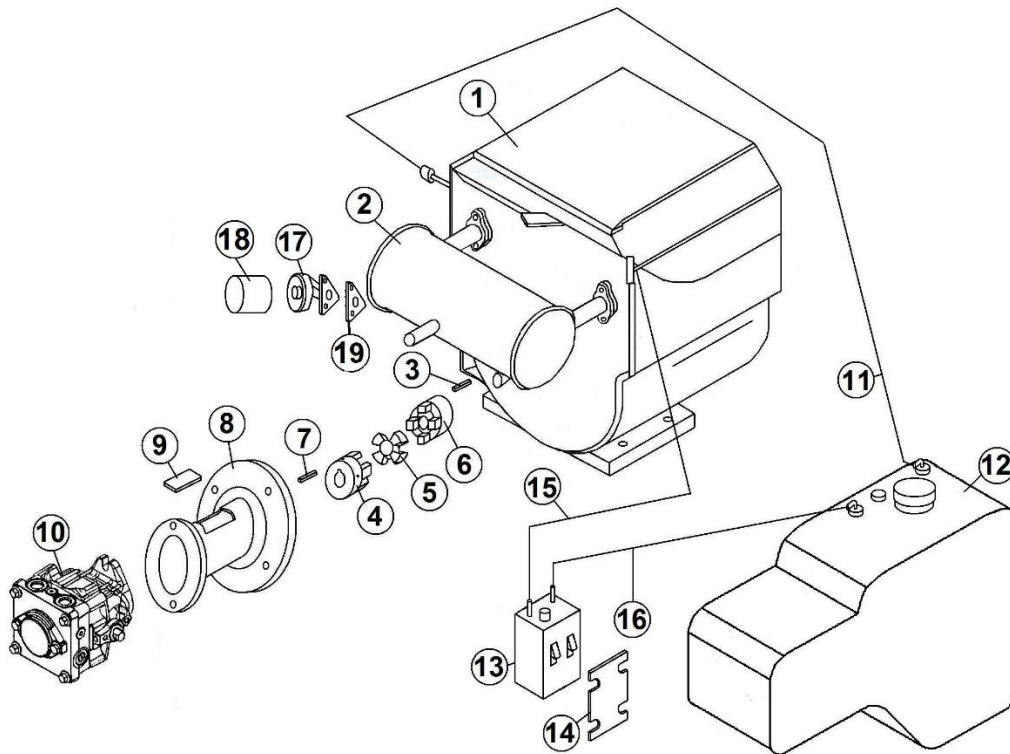
7580 WIRING DRAWING



WIRING PARTS LIST

REF#	PART#	DESCRIPTION	QTY.
1	932-071	Key Switch	1
2	932-119-1	Safety Seat Switch	1
3	943-100	16 HP Engine (Model# 305447 Type 0600-G1)	1
4	44-873	Hour Meter	1
5		Battery	
6	932-072	Solenoid	1
7	750-589	Wiring Harness	1
8	750-401	Battery Wire (+) 6GA Red 33"	1

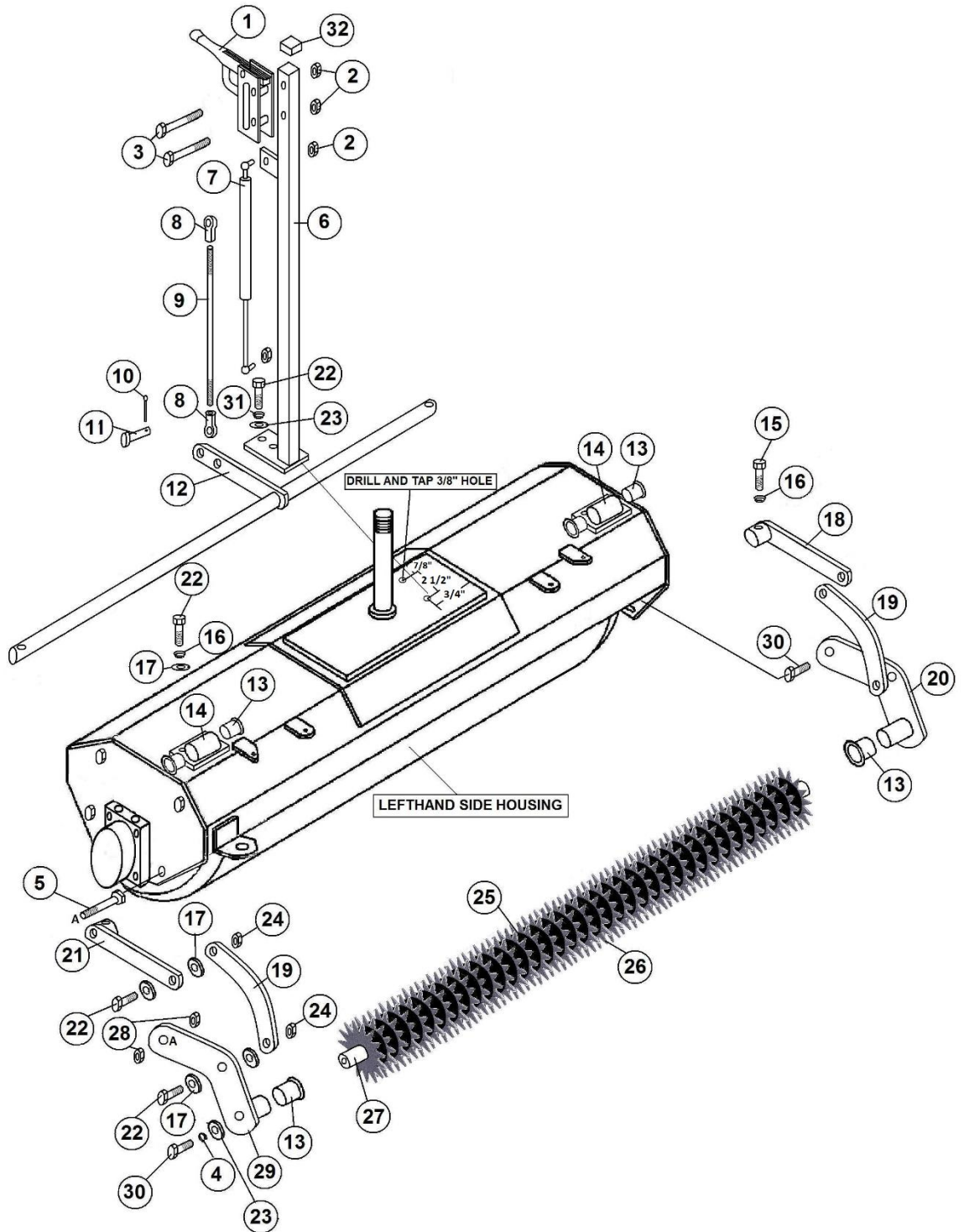
7580 ENGINE DRAWING



7580 ENGINE PARTS LIST

REF#	PART#	DESCRIPTION	QTY.
1	943-100	16 HP Engine (Model# 305447 Type 0600-G1)	1
2	943-115	Muffler	1
3	1517	1/4" x 1" Key	1
4	750-851	Pump Hub 17mm w/#5 Key	1
5	720-027	Element	1
6	41-147	Engine Coupling 1" Bore w/ 1/4" Keyway	1
7	750-201	3/16" x 1" #5 Key	1
8	750-255	5 1/2 Bell Housing	1
9	750-127-1	Plastic Bell Housing Cover	1
10	750-847	16cc without Aux Charge Pump	1
11	638	1/4" Gas Hose 35"	1
12	943-110	Gas Tank	1
13	943-241	Carbon Canister	1
14	943-240	Carbon Canister Mount	1
15	638	1/4" Gas Hose 40"	1
16	638	1/4" Gas Hose 17"	1
17	943-159	Adapter	1
18	943-104	Engine Oil Filter	1
19	943-158	Gasket	1

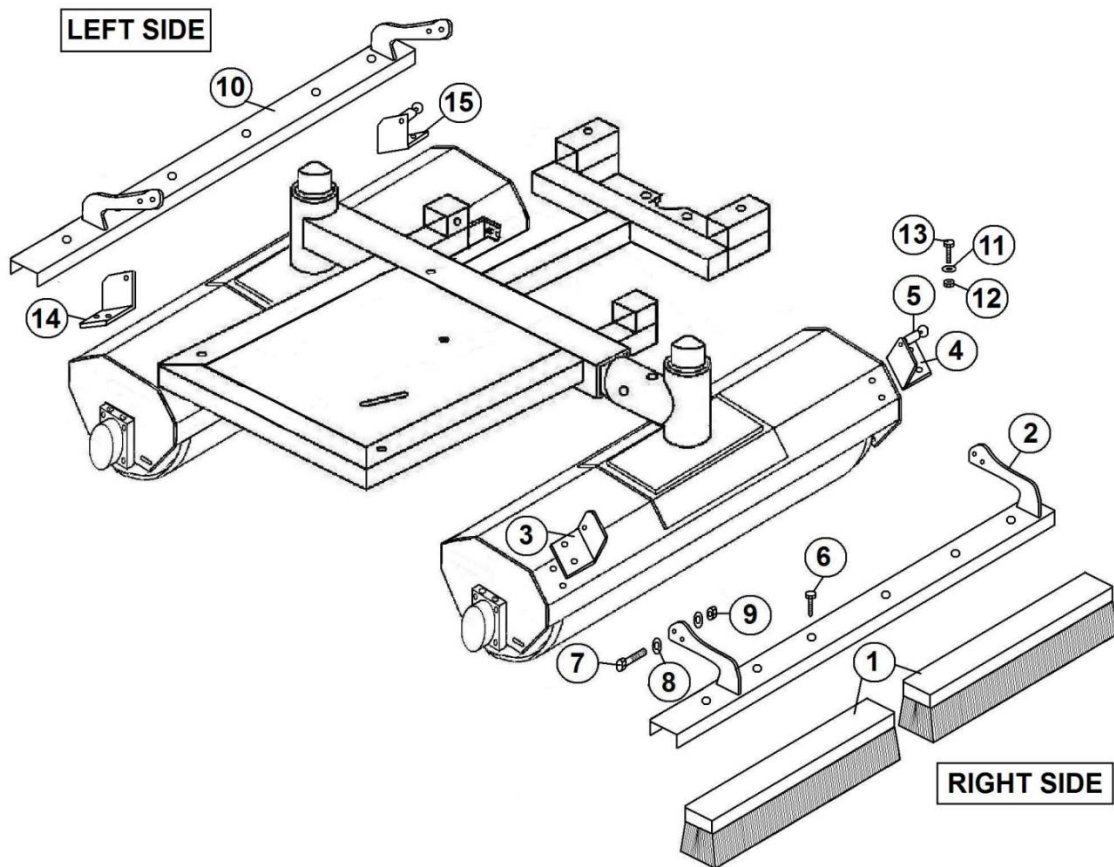
7512 SPIKER KIT DRAWING



7512 SPIKER KIT PARTS LIST

REF#	PART#	DESCRIPTION	QTY.
1	44-763	Parking Brake Lever	1
2	400-281	5/16" Flanged Lock Nut	5
3	400-008	5/16" – 18 x 2 1/2" HHCS	2
4	400-207	5/16" Lock Washer	2
5	400-015	3/8" – 16 x 1 1/2" HHCS	1
6	750-858	Brake Lever Bracket	1
7	750-859	Gas Shock	1
8	11-101-1	Linkage Yoke	1
9	750-860	Linkage Rod	1
10	720-079	3/32" x 3/4" Cotter Pin	1
11	400-003	5/16" – 18 x 1 1/4" HHCS	1
12	750-861	Lift Rod	1
13	2110	Pivot Post Bearing 3/4" ID	6
14	750-862	Lift Rod Mounting Bracket	2
15	400-001	5/16" – 18 x 3/4" HHCS	2
16	400-207	5/16" Lock Washer	6
17	400-201	1/4" Flat Washer	14
18	750-863	Left Lift Lever	1
19	750-864	Connecting Lever	2
20	750-865	Left Spiker Mounting Bracket	1
21	750-866	Right Lift Lever	1
22	400-002	5/16" – 18 x 1" HHCS	12
23	400-202	5/16" Flat Washer	4
24	400-109	5/16" Lock Nut	4
25	750-867	Rubber Spacer	68
26	750-844	3" Aerator Star Blades	35
27	750-868	Spiker Shaft	1
28	400-116	3/8" – 16 Lock Nut	4
29	750-870	Right Spiker Mounting Bracket	1
30	400-090	3/8" – 16 x 1 1/4" HHCS	1
31	400-209	3/8" Lock Washer	2
32	610-221	1" Square Plastic Plug	1
33	44-967	5/16" Tie Rod End	1
34	520-007	Bronze Bushing	4
35	400-014	3/8" – 16 x 1" HHCS	2
NI	709-382	1/4" Grease Zerk	2

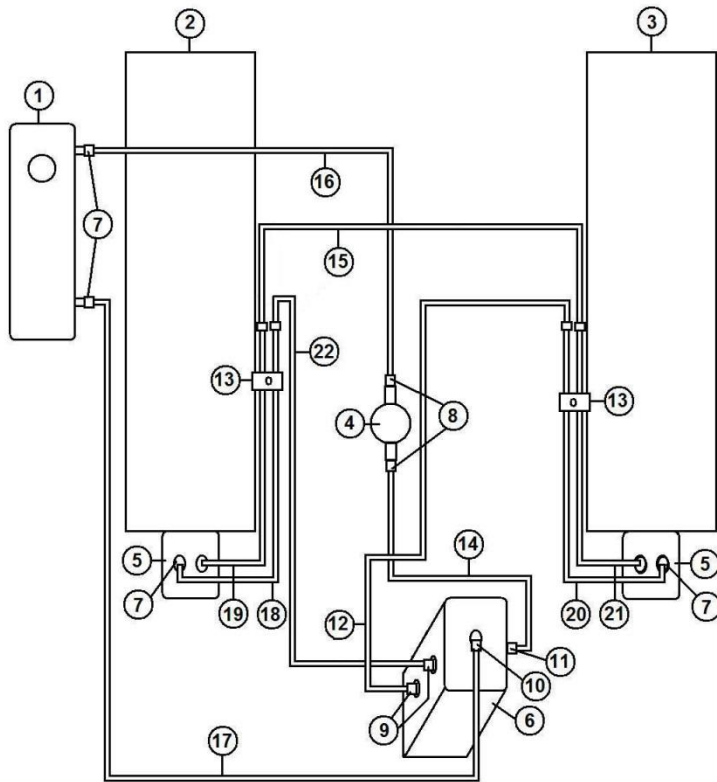
7514 BRUSH KIT DRAWING



7514 BRUSH KIT PARTS LIST

REF#	PART#	DESCRIPTION	QTY.
1	750-410	Roller Brush	4
2	750-856	Right Brush Bracket	1
3	750-857	Right Brush Bracket Mount	1
4	750-855	Right Brush Mtg. Bracket w/Knob	1
5	88-001	Ball Lock Pin	1
6	400-343	5/16" x 1" Lag Screw	12
7	400-027	1/2" - 13 x 1 1/2" HHCS	4
8	40-128-1	1/2" Machine Bushing	8
9	400-112	1/2" - 13 Lock Nut 2-Way	4
10	750-900	Left Brush Bracket	1
11	400-201	1/4" Flat Washer	20
12	400-281	5/16" Flanged Lock Nut	12
13	400-002	5/16" - 18 x 1" HHCS	8
14	750-901	Left Brush Bracket Mount	1
15	750-902	Left Brush Bracket Mount w/Ball	1
NI	400-207	5/16" Lock Washer	8
NI	400-010	5/16" - 18 x 5" HHCS	4

HYDRAULIC PLUMBING DRAWING



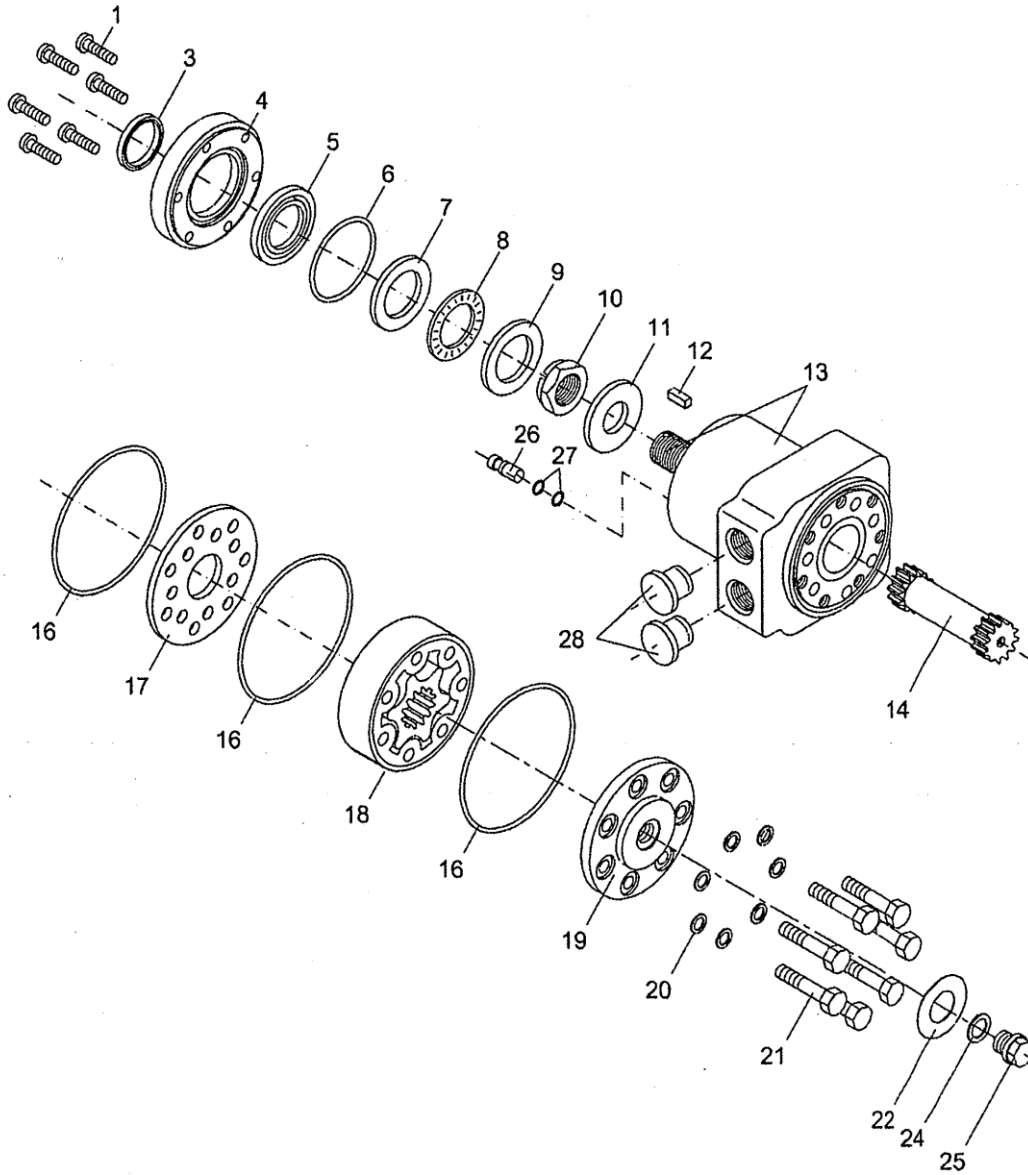
HYDRAULIC PLUMBING PARTS LIST

REF#	PART#	DESCRIPTION	QTY.
1	943-111	Oil Tank	1
2	750-825	Left Roller Housing	1
3	750-826	Right Roller Housing	1
4	750-302	Filter Head	1
5	750-801	Hydro – Gear Motor	2
6	750-847	16cc without Aux Charge Pump	1
7	750-326	8-10 Wheel Motor & Tank Fitting Str.	4
8	750-325	8-12 Oil Filter Head Fitting Str.	2
9	750-322	45° Pump Fitting	2
10	750-324	8-6 90° Pump Fitting - Top	1
11	750-295	6-8 Side Pump Fitting Str.	1
12	750-511-1	Hydraulic Hose 60" w/Straight both ends	1
13	750-502	Hard Line Clamp	2
14	750-310	½" Hydraulic Hose 24 ½" – Pump to Filter Head	1
15	750-512	Hydraulic Hose 54" w/Straight on both ends	2
16	750-306	½" Hydraulic Hose 7 ¼" – Oil Tank to Filter Head	1
17	750-305	½" Hydraulic Hose 11" – Oil Tank to Pump	1
18	750-520	Long Left Tube Assy 27 ½"	1
19	750-519	Short Left Tube Assy. 26 ½"	1
20	750-506	Hard Line - Long Right Side	1
21	750-507	Hard Line - Short Right Side	1
22	750-510-1	Hose 63" w/ 45° & Straight	1

NOTE: OIL FILTER IS A PART# 750-300

COMPLETE HOSE KIT IS A PART# 750-540

750-801 WHEEL MOTOR DRAWING



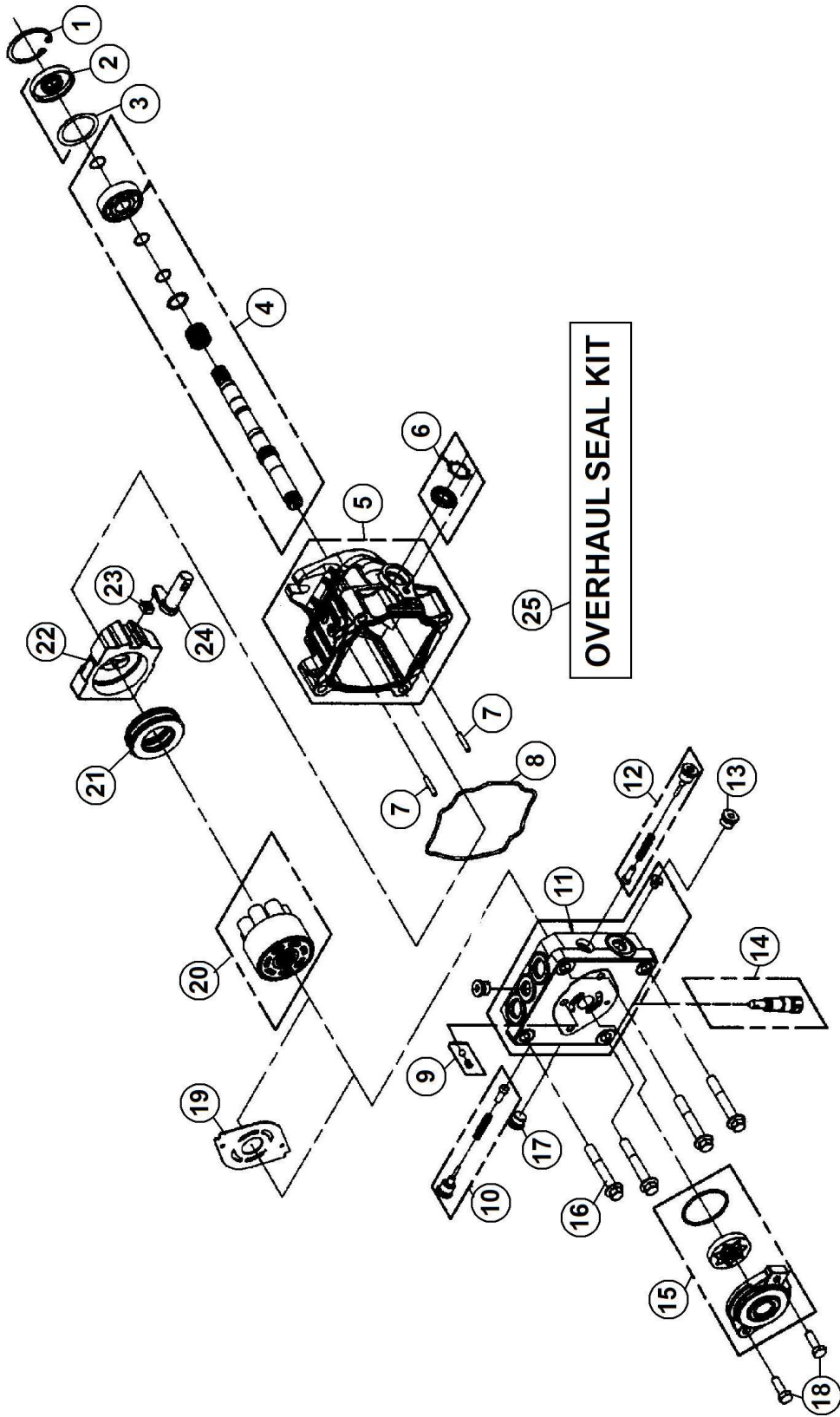
151-1379.10

750-801 WHEEL MOTOR PARTS LIST

REF#	PART#	DESCRIPTION	QTY.
1	750-801-6	Screw	6
3	750-801-5	Dust Seal Ring	1
4	750-801-7	Spigot Flange	1
5	750-801-5	Shaft Seal	1
6	750-801-5	O-Ring	1
7	750-801-8	Bearing Race	1
8	750-801-9	Axle Needle Bearing	1
9	750-801-10	Bearing Race	1
10	750-801-11	Castellated Nut	1
11	750-801-12	Washer	1
12	740-023	Woodruff Key, 3/16" X 3/4"	1
14	750-801-14	Cardan Shaft	1
16	750-801-5	O-Ring	3
17	750-801-15	Distributor Plate	1
18	750-801-16	Gear Wheel Set	1
19	750-801-17	End Cover	1
20	750-801-18	Washer	7
21	750-801-19	Screw	7
24	750-801-20	Washer	1
26	750-801-21	Check Valve	2

Note: Reference #'s 3, 5, 6 & 16 are part of the 750-801-5 Seal Kit

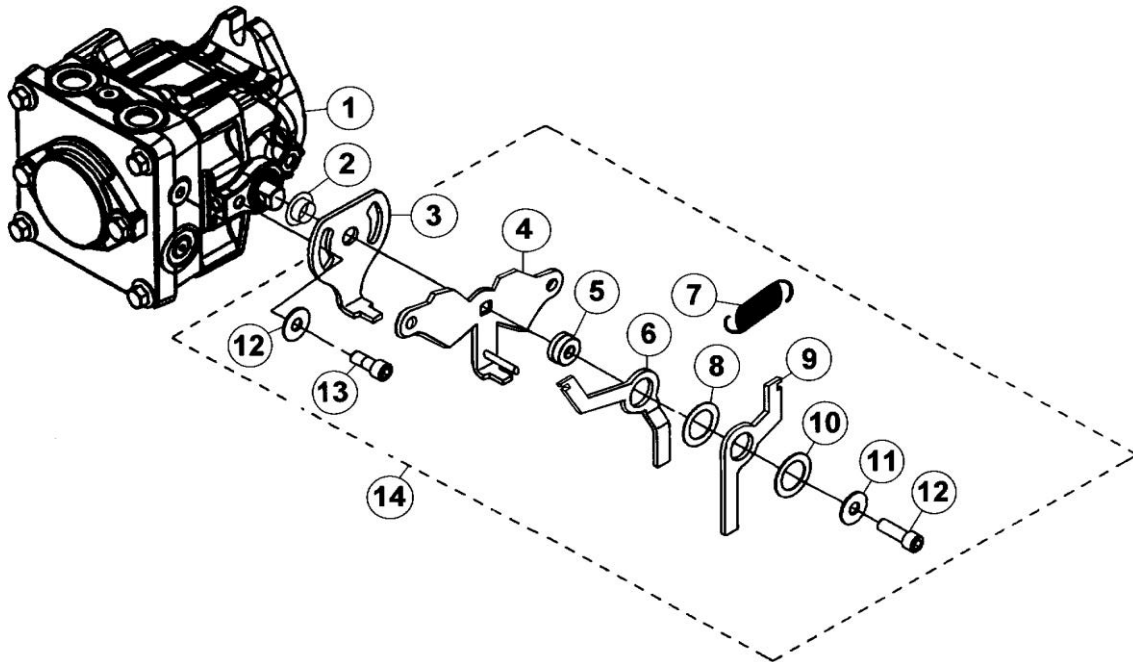
750-847 PUMP DRAWING



750-847 PUMP PARTS LIST

REF#	PART#	DESCRIPTION	QTY.
1	750-847-3	Retaining Ring	1
2	750-847-4	Lip Seal	1
3	750-847-5	Spacer	1
4	750-847-6	Shaft Kit	1
5	750-847-7	Bare Housing	1
6	750-847-8	Trunnion Seal Kit	1
7	750-228-15	Pin	2
8	750-847-9	O-Ring	1
9	750-847-10	Charge Relief	1
10	750-847-11	Shock Valve Kit	1
11	750-847-12	End Cap	1
12	750-847-11	Shock Valve Kit	1
13	750-847-13	Plug	1
14	750-228-7	Bypass Valve	1
15	750-847-14	Charge Pump	1
16	750-847-15	Screw	4
17	750-847-13	Plug	1
18	750-847-16	Screw	2
19	750-847-17	Valve Plate	1
20	750-847-18	Cylinder Block	1
21	750-847-19	Thrust Bearing	1
22	750-847-20	Swash Plate	1
23	750-128-38	Slot Guide	1
24	750-847-21	Trunnion Arm	1
25	750-849	Seal Kit f/ 16CC Pumps	1

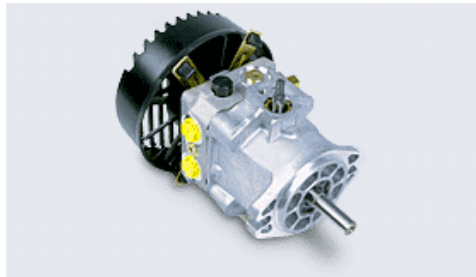
PUMP LINKAGE DRAWING



PUMP LINKAGE PARTS LIST

REF.#	PART#	DESCRIPTION	QTY.
1	750-847	16CC Pump without Aux Charge Pump	1
2	750-228-30	Bushing	1
3	750-343-1	Shift Lever Top (New)	1
3	750-343	Shift Lever Top (Old)	1
4	750-344-1	Shift Lever Bottom (Sq. Hole .470) w/Bolt (New)	1
4	750-344	Shift Lever Bottom (Sq. Hole .350) w/Bolt (Old)	1
5	750-228-31	Bushing	1
6	750-345	Shift Lever Right - Bent	1
7	750-229-1	Gold Spring	1
8	750-228-32	Nylon Washer	1
9	750-346	Shift Lever Left Straight	1
10	750-228-33	Flange	1
11	750-228-34	5/16" Flat Washer	2
12	750-228-35	Washer	1
13	750-228-36	Allen Head Bolt	1
14	750-228-37	Pump Bracket Kit	1

PERFORMANCE CHART



Product Type		PC	PG	PJ	PR	PW
Displacement	in ³ /rev [cc/rev]	0.37 [6.1]	0.62 [10.2]	0.73 [12]	0.97 [16]	1.33 [21.8]
Input Speed						
Maximum Unloaded	rpm	3600	3600	3600	3600	3600
Minimum Loaded	rpm	1800	1800	1800	1800	1800
System Operating Pressure						
Continuous	psi [bar]	750 [51]	1000 [70]	1000 [70]	1250 [86]	1250 [86]
Intermittent	psi [bar]	1750 [120]	2100 [145]	2100 [145]	2500 [172]	2500 [172]
Peak	psi [bar]	2500 [172]	3500 [240]	3500 [240]	3750 [260]	3750 [260]
Pump Performance						
@ 2400 rpm/1000 psi	gpm [l/min]	3.6 [13.6]	6.1 [23.1]	7.1 [26.8]	9.6 [36.3]	13.1 [49.6]
@ 3000 rpm/1000 psi	gpm [l/min]	4.5 [17.0]	7.6 [28.8]	8.9 [33.6]	12 [45.4]	16.4 [62.1]
@ 3600 rpm/1000 psi	gpm [l/min]	5.4 [20.4]	9.2 [34.8]	10.8 [40.8]	14.4 [54.5]	19.6 [74.2]
Case Pressure						
Maximum @ Cold Start	psi [bar]	10 [0.7]	10 [0.7]	10 [0.7]	25 [1.7]	25 [1.7]
Continuous - Max.	psi [bar]	4 [0.3]	4 [0.3]	4 [0.3]	10 [0.7]	10 [0.7]
Inlet Vacuum						
Maximum Continuous Inches Mercury		4	4	4	4	4
Charge Pump Displacement(s)	in ³ /rev [cc/rev]	.13 [2.1]	0.11/0.13 [1.9/2.1]	0.19 [3.2]	0.13/0.19 [2.1/3.2]	0.13/0.19 [2.1/3.2]
Auxiliary Pump Displacement	in ³ /rev [cc/rev]	0.19 [3.2]	0.19 [3.2]	0.19 [3.2]	0.19 [3.2]	0.19 [3.2]
Auxiliary Pump Relief Setting	psi [bar]	650 [45]	650 [45]	650 [45]	650 [45]	650 [45]
Auxiliary Pump Performance @3200 rpm, 500 psi, 70 SUS [13 Cst] oil, & 180°F	gpm [l/min]	1.8 - 2.0 [6.8 - 7.6]	1.8 - 2.0 [6.8 - 7.6]	1.8 - 2.0 [6.8 - 7.6]	1.8 - 2.0 [6.8 - 7.6]	1.8 - 2.0 [6.8 - 7.6]
Control Torque Required to Stroke Pump [Approximate - 20° External Stroke Angle]	lb-in / 1000 psi [N-m / 70 bar]	75 [8.5]	85 [9.6]	85 [9.6]	95 [10.7]	105 [11.9]

	lb-in / 500 psi [N-m / 35 bar]	55 [6.2]	60 [6.8]	60 [6.8]	75 [8.5]	85 [9.6]
Pump Oil Temperature						
Maximum Intermittent (hottest point)	°F [°C]	230 [110]	230 [110]	230 [110]	230 [110]	230 [110]
Normal Operating Range	°F [°C]	-10 to 200 [-23 to 93]	-10 to 200 [-23 to 93]	-10 to 200 [-23 to 93]	-10 to 200 [-23 to 93]	-10 to 200 [-23 to 93]
Fluid Viscosity Limits @ 230°F [110°C]						
Optimum	SUS[cSt]	70 [13]	70 [13]	70 [13]	70 [13]	70 [13]
Minimum	SUS[cSt]	55 [9]	55 [9]	55 [9]	55 [9]	55 [9]
Weight of Unit						
	lbs [kg]	7 [3.2]	8 [3.6]	12.65 [5.7]	12 [5.4]	14 [6.3]
Inlet Filtration Requirement						
Nominal	micron	25	25	25	25	25

750-450 LIGHT KIT PARTS LIST (Optional Accessory)

PART#	DESCRIPTION	QTY.
750-451	Wiring Harness	1
750-341-4	Switch Tab	1
750-341-3	Light Brackets	2
750-452	Light Bulb w/Connector	2
2070	Ignition Switch (Included in wiring harness)	1
709-255-1	Boot (Included in wiring harness)	1
	Zip Ties	4

LIGHT KIT INSTALLATION

1. Bolt the light brackets under the gas and oil tanks. (As shown below)



LIGHT KIT INSTALLATION (Continued)

2. Bolt the lights to the light brackets. Bolt the switch tab under the light over the battery side for the toggle switch.

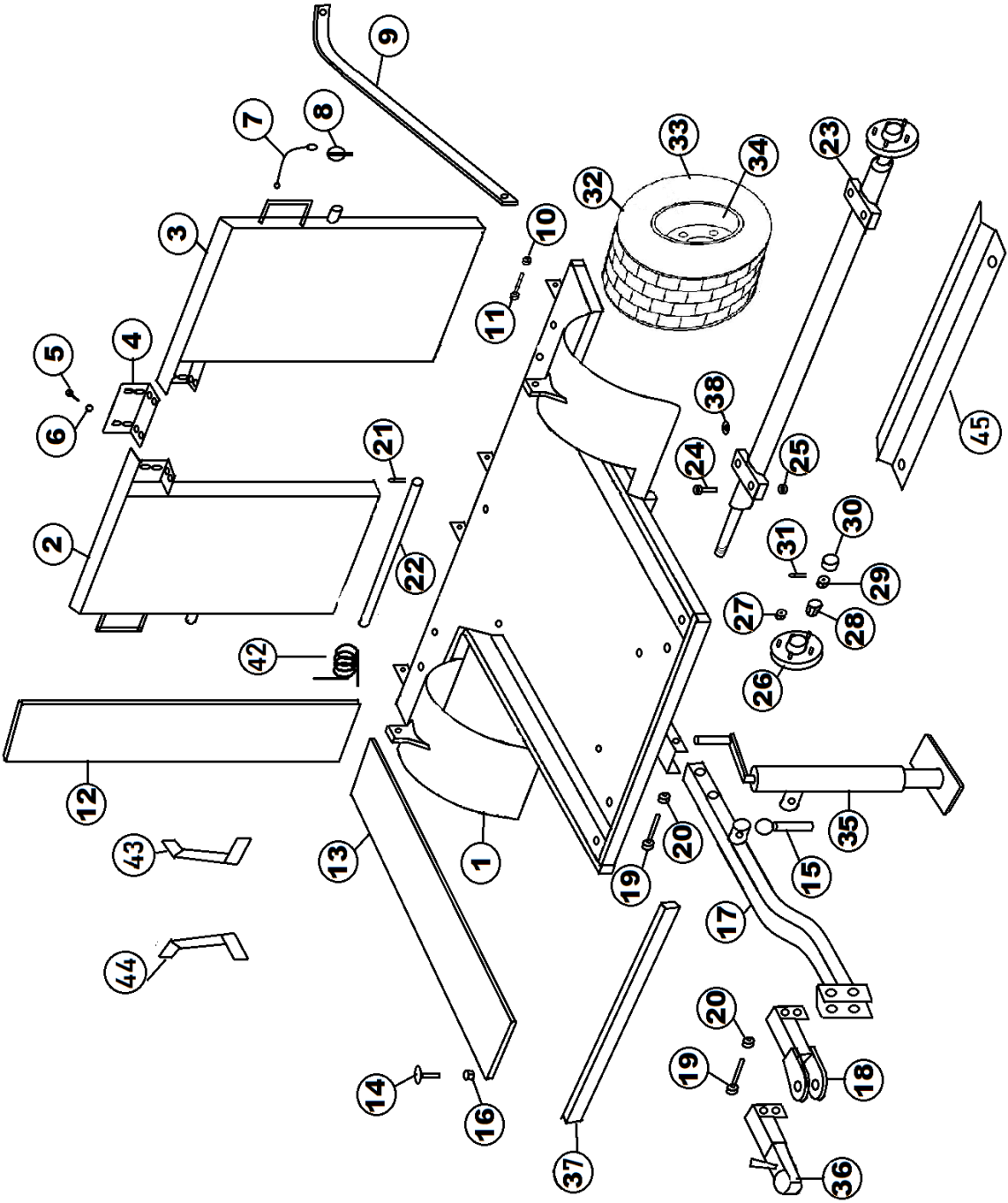


3. Connect wiring to the lights. Wiring can run in back of the machine at the top. Zip tie the wiring to the bar at the back of the machine. Put the toggle switch in the switch tab.



4. Fasten the fuse to the positive on the battery and black to the negative on the battery.

7520 TRAILER DRAWING



7520 TRAILER PARTS LIST

REF#	PART#	DESCRIPTION	QTY.
1	750-430	Trailer Bed	1
2	750-432	Right Side Ramp	1
3	750-431	Left Side Ramp	1
4	750-433	Ramp Plate	1
5	400-321	1/4" X 3/4" X 20 Truss Head Bolt	8
6	400-342	1/4" Flanged Lock Nut	8
7	750-422	3/64 x 6 Lanyard	2
8	750-421	Snap Pin 3/16 x 1 1/4"	2
9	750-441	Ramp Latch	2
10	400-112	1/2" - 13 Lock Nut 2-Way	2
11	400-027	1/2" - 13 x 1 1/2" HHCS	2
12	750-164-7	Rubber Matting f/7520 Ramp 55" x 7"	4
13	750-438	Rubber Matting f/Bed 47" x 7"	2
14	400-255	Elevator Bolt	12
15	750-961-1	Jackstand Pin & Chain	1
16	400-281	5/16" Flanged Lock Nut	12
17	750-434	Drawbar	1
18	750-435	Drawbar Hitch	1
19	400-061	1/2" - 13 x 3 1/2" HHCS	4
20	400-112	1/2" - 13 Lock Nut	4
21	40-168	Cotter Pin 1/8 x 1"	4
22	750-436	Ramp Pin	2
23	750-960	Axle	1
24	400-015	3/8" - 16 x 1 1/2" HHCS	4
25	400-116	3/8" - 16 Lock Nut	4
26	2027-1	Hub Only	2
27	1187	Lug Nut	8
28	2028-1	Tapered Bearing	4
29	709-126	Spindle Nut	2
30	2024	Grease Cap	2
31	720-043	Cotter Pin 1/8" x 1 1/2"	2
32	750-967	Wheel & Tire 18 x 850-8; 6 Ply	2
33	750-967-1	Tire 18 x 850-8; 6 Ply	2
34	2026	Cargo Wheel	2
35	750-961	Jackstand	1
36	750-435-1	Ball Hitch	1
37	750-440	Roller Stop	1
38	400-202	5/16" Flat Washer	8
39	400-014	3/8" - 16 x 1" HHCS	2
40	400-202	5/16" Flat Washer	12
41	400-116	3/8" - 16 Lock Nut	2
42	750-444	Torsion Spring	8
43	750-976	Left Roller Guide	1
44	750-975	Right Roller Guide	1
45	750-406-1	Roller Stop	1

7520 ROLLER GUIDE INSTALLATION



ROLLER STOP INSTALLATION



TRAILER SPRING PLACEMENT



The Smithco Commercial Products Two-Year Limited Warranty

Smithco, Inc. (Smithco) warrants your 2016 or newer Smithco Commercial Product (“Product”) purchased after October 1, 2016 to be free from defects in materials or workmanship for the period of time listed below. Where a warrantable condition exists, Smithco will repair the Product at no cost to you including diagnosis, labor (at the Smithco standard labor rate, subject to the Smithco flat rate schedule), and parts.

Warranty Duration Is:

1. Two years, 1500 operational hours* from the date of delivery to the original purchaser or five years from the date of original manufacturer of the product, whichever occurs first. (*Products equipped with hour meter).
2. Products used in rental situations are covered for 90 days from date of delivery to original user/renter.

Owner responsibilities:

As the Product owner, you are responsible for required maintenance and adjustments stated in your Owner’s Manual. Failure to perform required maintenance and adjustments can be grounds for disallowing a warranty claim. **You are particularly responsible to train all present and future operators of this product on the safe operation of this product at your location.**

Instructions for Obtaining Warranty Service:

You are responsible for notifying the Authorized Smithco Products Distributor from whom you purchased the Product as soon as you believe a warrantable condition exists and not later than 30 days from discovery of the condition.

If you need help locating an Authorized Smithco Distributor, or if you have questions regarding your warranty rights or responsibilities, you may contact us at:

Smithco Product Support Department
Highway SS @ Poplar St.
Cameron, Wisconsin 54822
Telephone: 715-458-4192 E-Mail: ProductSupport@Smithco.com

Maintenance Parts:

Parts scheduled for replacement as required maintenance (“Maintenance Parts”), are warranted for the period of time up to the scheduled replacement time for that part.

Items/Conditions Not Covered:

Not all product failures or malfunctions that occur during the warranty period are defects in materials or workmanship. The items/conditions listed below are not covered by this warranty.



Product failures which result from the use of non-Smithco replacement parts, or from installation and use of add-on, modified, or unapproved accessories are not covered.



Product failures which result from failure to perform required maintenance and/or adjustments are not covered.



Product failures that result from operating the Product in an abusive, negligent or reckless manner are not covered.



This warranty does not apply to parts subject to consumption through use, unless found to be defective. Examples of parts which are consumed, or used up during normal Product operation include, but are not limited to: blades, tines, teeth, scarifiers, rakes, plates, wear plates, castor wheels, tires, batteries, filters, belts, nozzles, etc.



This warranty does not apply to failures caused by outside influence. Items considered to be outside influence include, but are not limited to, weather, storage practices, contamination, use of unapproved coolants, lubricants, additives, or chemicals, etc.



This warranty does not apply to normal "wear and tear" items. Normal "Wear and Tear" includes, but is not limited to, damage to seats due to wear or abrasion, worn painted surfaces, scratched decals or windows, etc.



Smithco may require the return of failed parts or components in order determine the validity of any warranty claim.



Smithco will not be obligated to replace components of other manufacturers if inspection by the original component manufacturer indicates that failure was due to normal wear and tear, expected consumption through use or improper care or service.

Other Legal Disclaimers:

The above remedy for product defects through repair or replacement by an authorized Smithco distributor or dealer is the purchaser's sole remedy for any defect. This warranty gives you specific legal rights, and you may also have other rights which vary from state to state.

THERE ARE NO OTHER EXPRESS WARRANTIES OTHER THAN THOSE SET FORTH ABOVE. ALL IMPLIED WARRANTIES OF MERCHANTABILITY AND FITNESS FOR USE ARE LIMITED TO THE DURATION OF THE LIMITED WARRANTIES CONTAINED HEREIN.

Some States may not allow limitations on how long an implied warranty lasts, so the above limitation may not apply to you.

THE SMITHCO COMPANY IS NOT LIABLE FOR INDIRECT, INCIDENTAL OR CONSEQUENTIAL DAMAGES IN CONNECTION WITH THE USE OF THE PRODUCT, INCLUDING ANY COST OR EXPENSE OF PROVIDING A SUBSTITUTE PRODUCT OR SERVICE DURING PERIODS OF MALFUNCTION OR NON-USE.

Some states may not allow the exclusion of indirect, incidental or consequential damages, so the above exclusion may not apply to you.

Smithco neither assumes, nor authorizes any person to assume for it, any other liability in connection with the sale or use of this product.

**SMITHCO, INC.
WANYE, PA 19087**





Operator's Manual

TOURNAMENT ROLLERS

7000 SN: T8970
7576 SN: T8923
7580 SN: T8870
7590 SN: T8789

Revised May, 2023

Product Support: 1020 Hawaii Rd; Humboldt, KS 66748
1-888-422-5173 wj@smithco.com

TABLE OF CONTENTS

<u>TITLE</u>	<u>PAGE</u>
Introduction	
Introduction.....	1-2
Specifications.....	3-6
Symbols.....	7-8
Speed Boss.....	9
Safe Practices.....	10
Controls & Instruments for 7000, 7576, 7580 & 7590.....	11
Steering Setup.....	12
Operation.....	13
Daily Checklist for 7000, 7576, 7580 & 7590.....	14
Service	
Maintenance.....	15-17
Engine Service Chart.....	18
End User's Service Chart.....	19
Service Chart.....	20
Storage.....	21
Smithco Warranty	

SMITHCO TOURNAMENT ROLLERS

The SMITHCO TOURNAMENT ROLLERS are a field developed tool designed to condition the surface of putting greens, lawn bowling greens, and grass tennis courts to a precise texture for tournament grade quality.

The Roller utilizes two 8" rollers to achieve a "billiard table" surface. Both 8" rollers are driven and both are used for steering.

The TOURNAMENT ROLLER is built of the finest and heaviest material utilized on each part to insure longevity. The frame is fabricated out of seven gauge steel to provide weight to the machine and prevent warping. The steering has been especially engineered for operator comfort to alleviate fatigue during prolonged use. The specially designed, articulated steering rollers allow the rollers to follow the contour of the green to insure an even compaction over the entire surface.

Before placing the Roller into service it must be serviced with fuel and the hydraulic fluid checked. Refer to the manuals furnished for the engine and transmission which will specify fuel and oils required.

Operator familiarization should be conducted before use of the Roller on the greens. Improper handling of the roller could cause damage to the turf. Do not allow the roller to stand idle on the putting surface for any length of time as the weight of the machine will cause indentions that will be difficult to smooth out. Place the roller into motion while off the green, and never attempt to turn the steering rollers sharply while the machine is on the green. Do not attempt to turn the steering wheel while the machine is not in motion.

Each Golf Course Superintendent should plan a pattern for the rolling of his greens so all greens would be compatible in speed and direction. Most Superintendents will probably decide that the best method of rolling would be back and forth in an alternate direction. When possible, the roller should be run up and down major undulations, not across. Each Superintendent can decide as to which method is best for his greens.

The Roller should be lubricated frequently with any grade of machine oil at all moving joints, and the bearings that are furnished with grease fittings should be greased with any good grade Lithium or equivalent water repellent grease. The Hydraulic pump uses 10W30 or 10W40 nondetergent oil.

THE SMITHCO TOURNAMENT ROLLERS ARE TO BE USED ON GOLF COURSE GREENS, LAWN BOWLING AREAS AND GRASS TENNIS COURTS ONLY. IT IS NOT TO BE USED ON ASPHALT, CEMENT, OR GRAVEL AREAS.

Good maintenance and regular servicing will insure the longevity of your SMITHCO TOURNAMENT ROLLER. Support is readily available from your local distributor or SMITHCO.

INTRODUCTION

Thank you for purchasing a **SMITHCO** Tournament Roller.

Carefully read this manual and the engine manual as they include safety, operating, assembly and maintenance instructions. Failure to do so could result in personal injury or equipment damage.

Keep manuals in a safe place after operator and maintenance personnel have read them. Right and left sides are from the operator's seat, facing forward.

All **SMITHCO** machines have a Serial Number and Model Number. Both numbers are needed when ordering parts. The serial number plate on the Roller is located on the back of the unit.

For easy access, record your Serial and Model numbers here.

SMITHCO		DATE OF MFG.
WAYNE, PENNSYLVANIA 19087 USA 610-688-4009 FAX 610-688-6069		<input type="text"/>
SERIAL NO.	kw/hp	
<input type="text"/>	<input type="text"/>	
MODEL NO.	kg/lb	
<input type="text"/>	<input type="text"/>	

Information needed when ordering replacement parts:

1. Model Number of machine.
2. Serial Number of machine.
3. Name and Part Number of part.
4. Quantity of parts.

TOURNAMENT ULTRA XXL SPECIFICATIONS

TOURNAMENT ULTRA XXL GREENS ROLLER 70"

MODEL 7000

Weights and Measurements

Length 48"
Width 73"
Height 47"
Ground Clearance 7"
Weight 905 lbs.

Ground Pressure

3.81 PSI

Brakes

Braking through hydraulic system

Seat

High back; one piece for operator comfort

Body

Welded steel frame; powder coated

Engine

Make: Vanguard Briggs & Stratton OHV gas engine

Model#: 303447

Type / Spec#: 1131E1

Horsepower: 16 hp (11.9 kW)

Fuel: Unleaded 87 Octane Gasoline Minimum

Cooling System: Air Cooled

Lubrication System: Full Pressure

Alternator: 16 amp

Sound Level

At Ear Level: 72 dB

Electrical System

12-volt electric start

Hydraulic Pump

Hydro gear system

Wheel Motor

(3) Hydro Gear HGM-10P-7182

Drive

Hydrostatic drive to (1) 8" x 36" Roller and (2) 8" x 19" Rollers

Steering

Hydraulic power steering; 16" soft grip steering wheel with tilt; 10' diameter turning radius

Air Cleaner

Standard

Fuel Tank

5 gallon capacity

Oil Tank

5 gallons (**Note: The roller is shipped with and only requires 3 gallons of oil.**)

Rollers

One 8" x 36" and two 8" x 19" steel powder coated rollers.

Controls

Foot operated with dual control rods.

Speed Control

Patented Speed Boss

Trailer 7525

7576 SPECIFICATIONS

TOURNAMENT ULTRA LITE ROLLER SPECIFICATIONS

MODEL 7576

Weights and Measurements

Length 52" – (132 cm)
Width 49" – (125 cm)
Height 47" - (119 cm)
Weight 605 lbs. (275 kg)

Ground Pressure

4 PSI with 175 lb. operator on hard surface
3 PSI with 175 lb. operator on fine turf

Brakes

Dynamic thru hydrostatic drive system

Seat

High back; one piece for operator comfort

Construction

Heavy gauge square steel tubing main frame, hydraulically formed, electrically welded.

Engine

9 HP (6.7kW) Honda

Model#: GX270UT2QA2

Commercial gasoline engine, single cylinder, air-cooled. Engine mounted air cleaner.

Sound Level

90 dbA under normal operating conditions

Electrical System

12-volt system available from the engine while running, no battery

Drive

Hydrostatic using a 16cc Hydraulic Pump driving two (2) hydraulic motors direct coupled to each roller cylinder. Direct drive motors eliminate maintenance; hydraulic drive to both rollers provides superior traction in all turf and terrain conditions.

Steering

Mechanical chain / sprocket, 16" (40cm) automotive type steering wheel

Fuel Tank

1 gallon (3.785L) engine mounted

Oil Tank

1 gallon (3.785L) hydraulic oil tank

Rollers

Two (2) oscillating 8" (20.32cm) x 36" (91cm) length, seamless, drawn over mandrel steel tubes. Bolted hubs with bearings on each end of the rollers.

Controls

Recoil start, engine throttle, choke and fuel on-off on the engine. Dual drive pedals control left / right operation and rolling speed. Pedals connected to hydraulic pump via mechanical linkage.

Speed

Infinitely variable 0 – 7 mph (0-11.3 kph)

Trailer 7520

SPECIFICATIONS

TOURNAMENT ULTRA ROLLER SPECIFICATIONS

MODEL 7580

Weights and Measurements

Length 52"
Width 49"
Height 47"
Ground Clearance 7"
Weight 880 lbs.

Ground Pressure

4.5 PSI

Brakes

Braking through hydraulic system

Seat

High back; one piece for operator comfort

Body

Welded steel frame; powder coated

Engine

Make: Vanguard Briggs & Stratton OHV gas engine

Model#: 303447

Type / Spec#: 1131E1

Horsepower: 16 hp (11.9 kW)

Fuel: Unleaded 87 Octane Gasoline Minimum

Cooling System: Air Cooled

Lubrication System: Full Pressure

Alternator: 16 amp

Sound Level

At Ear Level: 72 dB

Electrical System

12-volt electric start

Hydraulic Pump

Hydro gear system

Wheel Motor

(2) Hydro Gear HGM-10P-7182

Drive

Hydrostatic drive to (2) 8" rollers with both rollers driven

Steering

10.2 Reduction; 16" soft grip steering wheel with tilt; 10' diameter turning radius

Air Cleaner

Standard

Fuel Tank

5 gallon capacity

Oil Tank

5 gallons (**Note: The roller is shipped with and requires only 3 gallons of oil.**)

Rollers

Two 8" steel powder coated rollers 36" long

Controls

Foot operated with dual control rods.

Speed Control

Patented Speed Boss

Trailer 7520

SPECIFICATIONS

TOURNAMENT ULTRA PLUS ROLLER SPECIFICATIONS

MODEL 7590

Weights and Measurements

Length 52"
Width 49"
Height 47"
Ground Clearance 7"
Weight 880 lbs.

Ground Pressure

4.5 PSI

Brakes

Braking through hydraulic system

Seat

High back; one piece for operator comfort

Body

Welded steel frame; powder coated

Engine

Make: Vanguard Briggs & Stratton OHV gas engine

Model#: 303447

Type / Spec#: 1131E1

Horsepower: 16 hp (11.9 kW)

Fuel: Unleaded 87 Octane Gasoline Minimum

Cooling System: Air Cooled

Lubrication System: Full Pressure

Alternator: 16 amp

Sound Level

At Ear Level: 72 dB

Electrical System

12-volt electric start

Hydraulic Pump

Hydro gear system

Wheel Motor

(2) Hydro Gear HGM-10P-7182

Drive

Hydrostatic drive to (2) 8" rollers with both rollers driven

Steering

Power Steering

Air Cleaner

Standard

Fuel Tank

5 gallon capacity

Oil Tank

5 gallons (**Note: The roller is shipped with and only requires 3 gallons of oil.**)

Rollers

Two 8" steel powder coated rollers 36" long

Controls

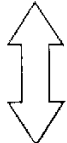
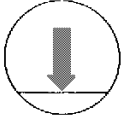
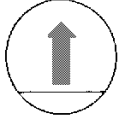

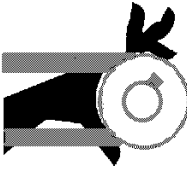
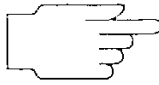


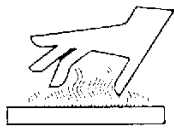
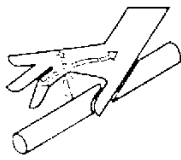
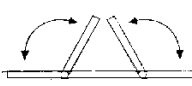
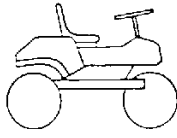
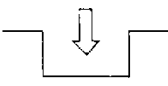

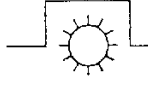
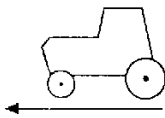



Foot operated with dual control rods.

Speed Control

















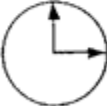







Patented Speed Boss

Trailer 7520

SYMBOLS

	Up/Down Arrow		Down/Lower		Up/Raise
	No Smoking		Moving Parts		Manual Operation
	Pinch Point		Step		Hot Surface
	Hydraulic Fluid Penetration		Lift Arm		Tractor
	Engage		Disengage		PTO
	Ground Speed		Fast		Slow
H	High	L	Low	F	Forward
R	Reverse	N	Neutral		Warning Danger Caution

SYMBOLS

	Read Operator's Manual		Electrical Power		No Electrical Power
	Engine - Stop		Engine - Start		Engine - Run
	Engine Oil		Temperature Light		Water Temperature
	RPM 1000/mi		Gasoline		Diesel
	Glow Plug-On		Glow Plug - Off		Glow Plug
	Hour Meter		Hour Meter		Fuse
	Hand Throttle		Choke - Closed		Choke - Open
	Park Brake		Park Brake Release		Hydraulic Oil Level

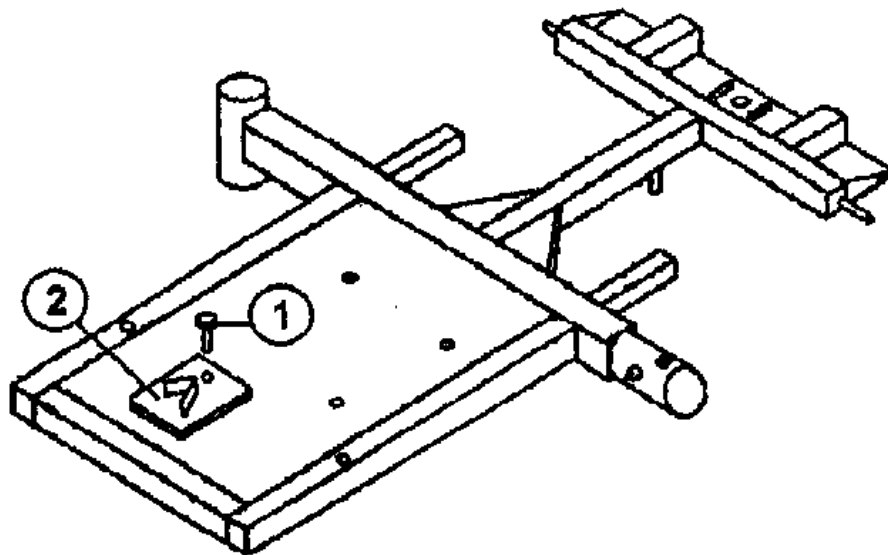
SPEED BOSS

ADJUSTING SPEED BOSS BRACKET

1. Loosen Ref. #1 ¼" Bolt
2. Slide speed boss bracket Ref. #2 in or out to adjust speed.

NOTE: Moving the bracket in toward engine will increase roller speed. Moving bracket out will decrease roller speed.

3. After speed has been adjusted tighten ¼" bolt.



SAFE PRACTICES

1. **It is your responsibility to read this manual and all publications associated with this machine (engine and accessories).**
2. Never allow anyone to operate or service the machine or its accessories without proper training and instructions. Never allow minors to operate any equipment.
3. Learn the proper use of the machine, the locations and purpose of all the controls before you operate the equipment. Working with unfamiliar equipment can lead to accidents.
4. Wear all the necessary protective clothing and personal safety devices to protect your head, eyes, ears, hands and feet. Operate the machine only in daylight or in good artificial light.
5. Inspect the area where the equipment will be used. Pick up all debris you can find before operating. Beware of overhead obstructions and underground obstacles. Stay alert for hidden hazards.
6. Never operate equipment that is not in perfect working order or without decals, guards, shields, or other protective devices in place.
7. **Never disconnect or bypass any switch.**
8. Carbon monoxide in the exhaust fumes can be fatal when inhaled, never operate a machine without proper ventilation.
9. Fuel is highly flammable, handle with care.
10. Keep engine clean. Allow the engine to cool before storing and always remove the ignition key.
11. After engine has started machine must not move. If movement is evident, the neutral mechanism is not adjusted correctly. Shut engine off and readjust so the machine does not move when in neutral position.
12. Never use your hands to search for oil leaks. Hydraulic fluid under pressure can penetrate the skin and cause serious injury.
13. This machine demands your attention. To prevent loss of control or tipping of the vehicle:
 - A. Make sure area is clear. Do not stop or start suddenly on any slope. Avoid driving sideways on hills as much as possible.
 - B. Reduce speed on slopes and in sharp turns. Use caution when changing directions on slopes.
 - C. Stay alert for holes in the terrain and other hidden hazards.
14. Before leaving operator's position for any reason:
 - A. Disengage all drives.
 - B. Shut engine off and remove the ignition key.
15. Keep hands, feet and clothing away from moving parts. Wait for all movement to stop before you clean, adjust or service the machine.
16. Keep the area of operation clear of all bystanders.
17. Never carry passengers.
18. Stop engine before making repairs/adjustments or to check or add oil to the crankcase.
19. **Use parts and materials supplied by SMITHCO only. Do not modify any function or part.**

These machines are intended for professional maintenance on grass greens. Other use will void the warranty.

CONTROLS & INSTRUMENTS FOR 7000, 7576, 7580 & 7590

IGNITION SWITCH

Located on right side of seat housing. This is a three-position ignition switch; Stop – Run – Start.

- A. **Choke:** Choke is located on the left side of the seat housing. Pull choke control knob out to close choke plate when starting a cold engine. A warm engine may not require “choking” to start.
- B. **Hand Throttle:** Hand throttle is located on left side of the seat housing.
- C. **Fuse & Fuse Holder:** 30 AMP fuse is used.

STEERING

Acquaint yourself with steering before operating machine. The automotive type steering wheel is connected to the roller assembly by a chain driven sprocket. This allows for quick turns and short turning radius.

SEAT ADJUSTMENT

Seat adjustment lever is located under front of seat on left side. It provides seat adjustment forward or backward for operator’s comfort.

FOOT PEDALS

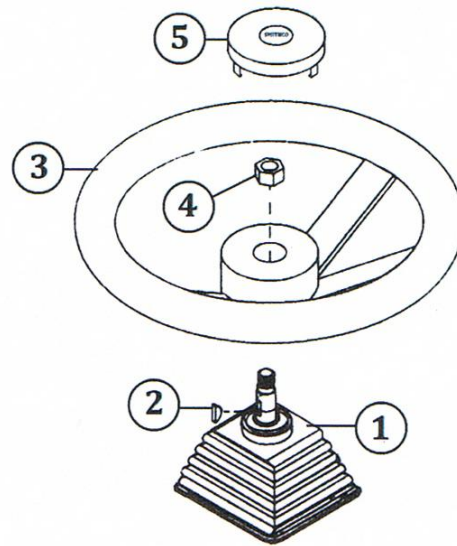
RIGHT FOOT PEDAL

The right foot pedal is used for going to the right. When the pedal is released the roller will come to a slow stop. To bring the roller to a sudden stop press on the left foot pedal a little to reverse rollers to bring unit to a stop.

LEFT FOOT PEDAL

The left foot pedal is used for going to the left. When the pedal is released the roller will come to a slow stop. To bring the roller to a sudden stop press on the right foot pedal a little to reverse rollers to bring unit to a stop.

STEERING SETUP



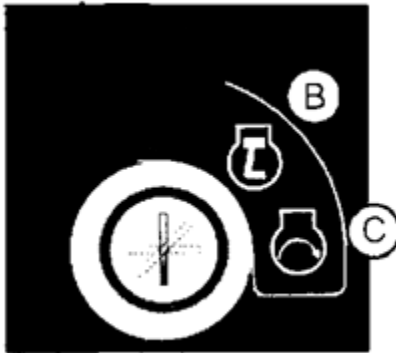
1. Tilt steering mechanism.
2. Place the key (Ref #2) into slot on steering shaft (Ref #1).
3. Install steering wheel (Ref #3) onto steering shaft (Ref #1).
4. Place nut (Ref #4) on steering (Ref #1) and tighten.
5. Install steering wheel cap (Ref #5).

OPERATION

STARTING ENGINE

Before operating this machine, become familiar with all controls and functions of these units. Also, complete all maintenance requirements and read all safety warnings. By knowing the machine thoroughly, how it operates and by doing the prescribed maintenance steps, you can expect relatively trouble-free operation for years to come.

1. The ignition switch is a three-position. Insert key and turn clockwise until engine starts (C). Release key and it will return to run position (B). Use choke as necessary.
2. Allow engine to idle and warm up a few minutes.
3. To select a direction, press down on the right or left foot pedal. Always come to a complete stop before going another direction.
4. To shut off engine, turn the key to the "OFF" position.



DAILY CHECKLIST FOR 7000, 7576, 7580 & 7590

DAILY CHECKLIST

NOTE:

**Use all procedures and parts prescribed by the manufacturers.
Read the engine manual before operation.**

The suggested maintenance checklist is not offered as a replacement for the manufacturer's list, but as a supplement. You must adhere to guidelines established by manufacturer for warranty coverage. In adverse conditions such as dirt, mud or extreme temperatures, maintenance should be more frequent.

1. Check engine oil level. Add as needed. **DO NOT OVERFILL.**
2. Examine vehicle for damage or anything unusual to normal wear.
3. Inspect electrical system for loose connections or frayed wiring, including battery cables. Replace any faulty equipment or tighten if loose.
4. Check hardware for loose or missing nuts, bolts, set screws, etc., and tighten or replace as needed.
5. Listen for any noise, such as rattles due to loose hardware, scraping sounds, or unusual motor noises. Be sensitive to abnormal performance.
6. Inspect hydraulic lines for damage or leaks. Never use hands to inspect leaks.
7. Inspect all lubrication areas around pedal shafts, chassis parts, etc.
8. Inspect steering.
9. Assure that all switches are operating normally.
10. Check hydraulic oil. To replenish, use 10W-40 or 10W-30 Motor Oil API Service SG. Do not overfill. Only requires 3 gallons max.
11. Check controls for smooth, proper working operation. Lubricate as needed.
12. Wash accumulated dirt **daily** from motor compartment and under body.

MAINTENANCE



Before servicing or making adjustments to machine, stop engine and remove the key from ignition.

NOTE:

Use all procedures and parts prescribed by the manufactures. Read the engine manual.

AIR CLEANER ON ENGINE

1. Remove the thumbscrews on top of the cover and remove the cover.
2. Carefully remove paper element to prevent debris from entering carburetor. To service, clean by tapping gently on flat surface. Do not oil paper element. Replace if very dirty or damaged.

NOTE:

Do not use petroleum solvents, e.g., kerosene, which will cause cartridge to deteriorate. Do not use pressurized air to clean cartridge. Pressurized air can damage cartridge.

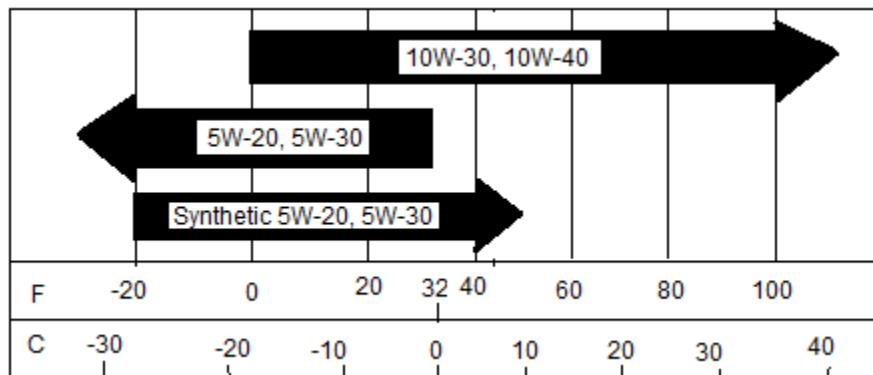
3. Reinstall paper element.
4. Replace cover and reattach thumb screws.

MAINTENANCE

ENGINE

Change and add oil according to chart below. Do not overfill. Use a high quality detergent oil. Use no special additives with recommended oils. Do not mix oil with gasoline.

SAE VISCOSITY GRADES



Starting Temperature Range Anticipated Before Next Oil Change

NOTE: Use of multi-viscosity oils (10W-40, etc.) will result in increased oil consumption. Check oil level more frequently if using these types of oils.

MAINTENANCE

JUMP STARTING

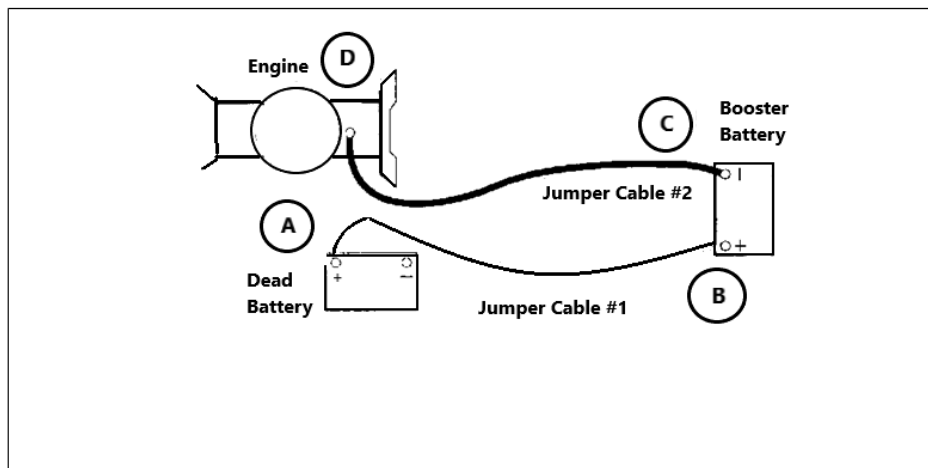


Use of booster battery and jumper cables: Particular care should be used when connecting a booster battery. Use proper polarity in order to prevent sparks.

To jump start (negative grounded battery):

1. Shield eyes.
2. Connect ends of one cable to positive (+) terminals of each battery, first (A) then (B).
3. Connect one end of other cable to negative (-) terminal of “good” battery (C).
4. Connect other end of cable (D) to engine block on unit being started (NOT to negative (-) terminal of battery)

To prevent damage to other electrical components on unit being started, make certain that engine is at idle speed before disconnecting jumper cables.



PUMP MAINTENANCE

When installing a new pump or wheel motors, it is recommended that the oil is changed.

After the installation of a new pump or filter, you need to loosen the relief valve 2-3 turns. Start the engine and let it run at high RPM's for about 2 minutes. After 2 minutes, depress the right foot pedal for 30 seconds to a minute or until both rollers move freely. Do the same on the left side. After you have done this a few times you will need to tighten the relief valve, located on the right side of the pump to about 200 inch lbs.

SERVICE CHART FOR THE ENGINE & HYDRAULIC SYSTEM



Before servicing or making adjustments to the machine, stop engine, set park brake, block wheels and remove key from ignition.



Follow all procedures and ONLY use parts prescribed by the manufacturer. Read the engine manual before maintenance.

	Daily	As Required	100 Hours	200 Hours	250 Hours	300 Hours	400 Hours	Every 500 Hours/Yearly
§ Engine Oil	C		R	R		R	R	R
Engine for Leaks and Loose Parts	C		C	C		C	C	C
Air Cleaner (Paper Element)		C	C	C		C	C	R
tt Spark Plugs		R		C			C	R
Idle Speed					C			C
Hydraulic Oil 10W30	C		C		C	R		C
Fuel Level	C	C						
Fuel Filter		R						R
Battery Electrolyte Level			C	C		C	C	C
Clean Battery Terminals					C			C
Lubricate			C	C		C	C	C

C = Check or Clean at specified intervals

R = Replace at specified intervals

T = Torque tire nuts after the first 10 hours and every 200 hours there after (64 to 74 ft/lb (87-100 NM))

§ Change oil and filter after first 5 hours.

tt Gap .03 (.76 mm) Torque to 18-22 ft/lb (24-30 Nm)

Clean more often under dusty conditions or when airborne debris is present, replace air cleaner parts, if very dirty.

The suggested maintenance checklist is not offered as a replacement for the manufacturer's engine manual but as a supplement. You must adhere to the guidelines established by the manufacturer for warranty coverage. In adverse conditions such as dirt, mud or extreme temperatures, maintenance should be more frequent.

END USER'S SERVICE CHART FOR THE ENGINE & HYDRAULIC SYSTEM

	Daily	As Required	100 Hours	200 Hours	250 Hours	300 Hours	400 Hours	Every 500 Hours/Yearly
§ Engine Oil								
Engine for Leaks and Loose Parts								
Air Cleaner (Paper Element)								
tt Spark Plugs								
Idle Speed								
Hydraulic Oil 10W30								
Fuel Level								
Fuel Filter								
Battery Electrolyte Level								
Clean Battery Terminals								
Lubricate								

C = Check or Clean at specified intervals

R = Replace at specified intervals

T = Torque tire nuts after the first 10 hours and every 200 hours there after (64 to 74 ft/lb (87-100 NM))

§ Change oil and filter after first 5 hours.

tt Gap .03 (.76 mm) Torque to 18-22 ft/lb (24-30 Nm)

Clean more often under dusty conditions or when airborne debris is present, replace air cleaner parts, if very dirty.

SERVICE CHART



Before servicing or making adjustments to the machine, stop engine, set park brake, block wheels and remove key from ignition.



Follow all procedures and ONLY use parts prescribed by the manufacturer. Read the engine manual before maintenance.

	Daily	50 Hours	100 Hours	200 Hours	250 Hours	300 Hours	400 Hours	Every 500 Hours/Yearly
Bearings		C						
Chains and sprockets	C							
All hydraulic fittings and hoses	C	T						
All nuts and bolts		C						
All oil filters		C	R					
All control cables		C						
Check trailer		C						

C = Check or Clean at specified intervals

R = Replace at specified intervals

T = Torque (35 ft lb)

S = Change oil and filter after first 5 hours

Clean more often under dusty conditions or when airborne debris is present, replace air cleaner parts if very dirty.

STORAGE

7000, 7576, 7580 & 7590 STORAGE

When storing, remove the key from the key switch to avoid unauthorized persons from operating machine.

1. Before storing, clean machine thoroughly.
2. Check bolts and nuts, tighten as necessary.
3. Make all repairs that are needed and remove any debris.
4. Remove the battery, adjust the electrolyte level and recharge it. Store the battery in a dry, dark place.
5. Store in a clean and dry area, but NOT near a stove, furnace or water heater which uses a pilot light or any device that can create a spark.
6. Engines stored over 30 days need to be protected or drained of fuel to prevent gum from forming in a fuel system or on essential carburetor parts. Check the engine manual and follow the instructions for the storage of the engine.

The Smithco Commercial Products Two-Year Limited Warranty

Smithco, Inc. (Smithco) warrants your 2016 or newer Smithco Commercial Product ("Product") purchased after October 1, 2016 to be free from defects in materials or workmanship for the period of time listed below. Where a warrantable condition exists, Smithco will repair the Product at no cost to you including diagnosis, labor (at the Smithco standard labor rate, subject to the Smithco flat rate schedule), and parts.

Warranty Duration Is:

3. Two years, 1500 operational hours* from the date of delivery to the original purchaser or five years from the date of original manufacturer of the product, whichever occurs first. (*Products equipped with hour meter).
4. Products used in rental situations are covered for 90 days from date of delivery to original user/renter.

Owner responsibilities:

As the Product owner, you are responsible for required maintenance and adjustments stated in your Owner's Manual. Failure to perform required maintenance and adjustments can be grounds for disallowing a warranty claim. **You are particularly responsible to train all present and future operators of this product on the safe operation of this product at your location.**

Instructions for Obtaining Warranty Service:

You are responsible for notifying the Authorized Smithco Products Distributor from whom you purchased the Product as soon as you believe a warrantable condition exists and not later than 30 days from discovery of the condition.

If you need help locating an Authorized Smithco Distributor, or if you have questions regarding your warranty rights or responsibilities, you may contact us at:

Smithco Product Support Department
Highway SS @ Poplar St.
Cameron, Wisconsin 54822
Telephone: 715-458-4192 E-Mail: ProductSupport@Smithco.com

Maintenance Parts:

Parts scheduled for replacement as required maintenance ("Maintenance Parts"), are warranted for the period of time up to the scheduled replacement time for that part.

Items/Conditions Not Covered:

Not all product failures or malfunctions that occur during the warranty period are defects in materials or workmanship. The items/conditions listed below are not covered by this warranty.



Product failures which result from the use of non-Smithco replacement parts, or from installation and use of add-on, modified, or unapproved accessories are not covered.



Product failures which result from failure to perform required maintenance and/or adjustments are not covered.



Product failures that result from operating the Product in an abusive, negligent or reckless manner are not covered.



This warranty does not apply to parts subject to consumption through use, unless found to be defective. Examples of parts which are consumed, or used up during normal Product operation include, but are not limited to: blades, tines, teeth, scarifiers, rakes, plates, wear plates, castor wheels, tires, batteries, filters, belts, nozzles, etc.



This warranty does not apply to failures caused by outside influence. Items considered to be outside influence include, but are not limited to, weather, storage practices, contamination, use of unapproved coolants, lubricants, additives, or chemicals, etc.



This warranty does not apply to normal "wear and tear" items. Normal "Wear and Tear" includes, but is not limited to, damage to seats due to wear or abrasion, worn painted surfaces, scratched decals or windows, etc.



Smithco may require the return of failed parts or components in order determine the validity of any warranty claim.



Smithco will not be obligated to replace components of other manufacturers if inspection by the original component manufacturer indicates that failure was due to normal wear and tear, expected consumption through use or improper care or service.

Other Legal Disclaimers:

The above remedy for product defects through repair or replacement by an authorized Smithco distributor or dealer is the purchaser's sole remedy for any defect. This warranty gives you specific legal rights, and you may also have other rights which vary from state to state.

THERE ARE NO OTHER EXPRESS WARRANTIES OTHER THAN THOSE SET FORTH ABOVE. ALL IMPLIED WARRANTIES OF MERCHANTABILITY AND FITNESS FOR USE ARE LIMITED TO THE DURATION OF THE LIMITED WARRANTIES CONTAINED HEREIN.

Some States may not allow limitations on how long an implied warranty lasts, so the above limitation may not apply to you.

THE SMITHCO COMPANY IS NOT LIABLE FOR INDIRECT, INCIDENTAL OR CONSEQUENTIAL DAMAGES IN CONNECTION WITH THE USE OF THE PRODUCT, INCLUDING ANY COST OR EXPENSE OF PROVIDING A SUBSTITUTE PRODUCT OR SERVICE DURING PERIODS OF MALFUNCTION OR NON-USE.

Some states may not allow the exclusion of indirect, incidental or consequential damages, so the above exclusion may not apply to you.

Smithco neither assumes, nor authorizes any person to assume for it, any other liability in connection with the sale or use of this product.

**SMITHCO, INC.
WANYE, PA 19087**

